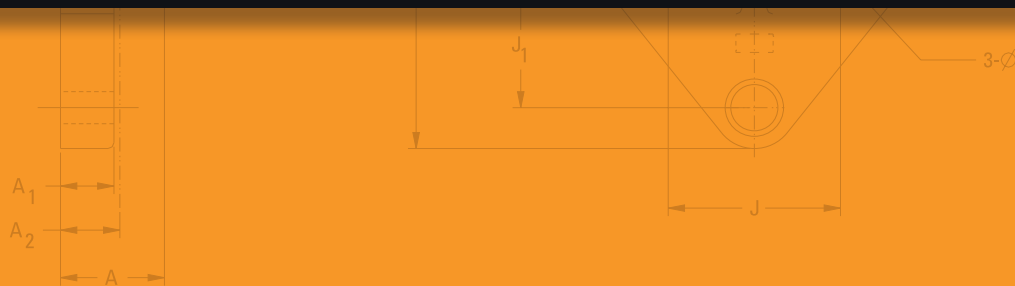


# TIMKEN



## TIMKEN® CORROSION-RESISTANT MOUNTED BALL BEARINGS CATALOG





# TIMKEN® CORROSION-RESISTANT MOUNTED BALL BEARING CATALOG

## INDEX

Introduction.....	2
How To Use This Catalog.....	3
Shelf Life/Storage.....	3
Warnings.....	4
<b>ENGINEERING</b>	
Housing Styles.....	6
End Cover Styles.....	7
Product Information.....	8
IP69K.....	10
QuiKlean®.....	12
Housing Styles.....	14
Nomenclature.....	15
Mounted Bearing Installation.....	16
Installing Units with Covers.....	17
Lubrication.....	18
Radial Internal Clearance.....	19
Speed Ratings.....	19
<b>WHITE POLYMER (THERMOPLASTIC) MOUNTED BEARINGS WITH STAINLESS STEEL BALL BEARING INSERTS</b>	
White Polymer (Thermoplastic) Pillow Block Mounted Bearings.....	22
White Polymer (Thermoplastic) Two-Bolt Flanged Mounted Bearings.....	24
White Polymer (Thermoplastic) Three-Bolt Flanged Mounted Bearings.....	26
White Polymer (Thermoplastic) Four-Bolt Flanged Mounted Bearings.....	28
<b>HYGIENIC BLUE POLYMER (THERMOSET) MOUNTED BEARINGS WITH STAINLESS STEEL BALL BEARING INSERTS</b>	
Hygienic Blue Polymer (Thermoset) Pillow Block Mounted Bearings.....	32
Hygienic Blue Polymer (Thermoset) Two-Bolt Flanged Mounted Bearings.....	34
Hygienic Blue Polymer (Thermoset) Two-Bolt Flanged Mounted Bearings with QuiKlean.....	36
Hygienic Blue Polymer (Thermoset) Three-Bolt Flanged Mounted Bearings.....	38
Hygienic Blue Polymer (Thermoset) Three-Bolt Flanged Mounted Bearings with QuiKlean.....	40
Hygienic Blue Polymer (Thermoset) Four-Bolt Flanged Mounted Bearings.....	42
Hygienic Blue Polymer (Thermoset) Four-Bolt Flanged Mounted Bearings with QuiKlean.....	44
Hygienic Blue Polymer (Thermoset) Piloted Round Flanged Mounted Bearings.....	46
Hygienic Blue Polymer (Thermoset) Tapped-Base (Imperial Thread) Mounted Bearings.....	48
Hygienic Blue Polymer (Thermoset) Tapped-Base (Metric Thread) Mounted Bearings.....	50
Hygienic Blue Polymer (Thermoset) Take-Up Mounted Bearings.....	52
<b>STAINLESS STEEL MOUNTED BEARINGS WITH STAINLESS STEEL BALL BEARING INSERTS</b>	
Stainless Steel Pillow Block Mounted Bearings.....	56
Stainless Steel Two-Bolt Flanged Mounted Bearings.....	58
Stainless Steel Two-Bolt Flanged Mounted Bearings with QuiKlean.....	60
Stainless Steel Two-Bolt Y-Series Flanged Mounted Bearings.....	62
Stainless Steel Small Two-Bolt Flanged Mounted Bearings with QuiKlean.....	64
Stainless Steel Three-Bolt Flanged Mounted Bearings.....	66
Stainless Steel Three-Bolt Flanged Mounted Bearings with QuiKlean.....	68
Stainless Steel Four-Bolt Flanged Mounted Bearings.....	70
Stainless Steel Four-Bolt Flanged Mounted Bearings with QuiKlean.....	72
Stainless Steel Tapped-Base Mounted Bearings.....	74
Stainless Steel Tapped-Base Y-Series (Imperial Thread) Mounted Bearings.....	76
Stainless Steel Tapped-Base Y-Series (Metric Thread) Mounted Bearings.....	77
Stainless Steel Take-Up Mounted Bearings.....	78

### HYGIENIC STAINLESS STEEL MOUNTED BEARINGS WITH STAINLESS STEEL BALL BEARING INSERTS

Hygienic Stainless Steel Pillow Block Mounted Bearings.....	82
Hygienic Stainless Steel Two-Bolt Flanged Mounted Bearings.....	84
Hygienic Stainless Steel Three-Bolt Flanged Mounted Bearings.....	86
Hygienic Stainless Steel Four-Bolt Flanged Mounted Bearings.....	88
Hygienic Stainless Steel Piloted Round Flanged Mounted Bearings.....	90
Hygienic Stainless Steel Tapped-Base (Imperial Thread) Mounted Bearings.....	92
Hygienic Stainless Steel Tapped-Base (Metric Thread) Mounted Bearings.....	94
Hygienic Stainless Steel Take-Up Mounted Bearings.....	96

### STAINLESS STEEL SET SCREW LOCKING BALL BEARING INSERTS

Stainless Steel Set Screw Locking Ball Bearing Inserts.....	100
---	-----

### CORROSION-RESISTANT MOUNTED BEARINGS END COVERS

Stainless Steel End Covers.....	104
Polymer End Covers.....	105
End Cover Dimensions.....	106

### CORROSION-RESISTANT MOUNTED BALL BEARING PRODUCT OFFERING.....



## ABOUT THE TIMKEN COMPANY

As a global leader in bearings and power transmission systems, Timken focuses on precise solution design, materials and craftsmanship to deliver reliable and efficient performance that improves productivity and uptime. Timken offers a full range of bearings, gear drives, automated lubrication systems, belts, chains, couplings and linear motion products along with rebuild and repair services. Timken applies its proven expertise in metallurgy, tribology and mechanical power transmission to create innovative approaches to customers' complex needs. Global availability of products and engineering talent, combined with exceptional service delivery across markets, makes Timken a preferred choice worldwide.

To view more Timken catalogs, go to [www.timken.com/catalogs](http://www.timken.com/catalogs) for interactive versions, or to download our catalog app to your smart phone or mobile device.

## **TIMKEN® CORROSION-RESISTANT MOUNTED BALL BEARINGS**

### **DESIGNED FOR SAFE, EFFICIENT MANUFACTURING FOR THE FOOD AND BEVERAGE INDUSTRY**

Today's consumers are demanding safer and healthier food. It's prompting governments to enforce more stringent food safety regulations. Food and beverage manufacturers/producers need premium products that deliver the machinery uptime and food safety that they, their customers and their governments expect.

Meet these challenges head-on with Timken. Our Corrosion-Resistant Mounted Ball Bearings are an ideal fit for a variety of applications, including grinding and mixing equipment, extrusion, bagging, conveying and more.

#### **Corrosion-Resistant Mounted Ball Bearings**

Corrosion-resistant materials and food-grade lubricant help elevate food safety and production uptime. These products also deliver improved reliability and protect against a variety of wet and dry contaminants, dramatically improve bearing life.

- Stainless steel ball bearing inserts with set screw
- Housings available in cast stainless steel, white polymer (thermoplastic) as well as in hygienic blue polymer (thermoset) and hygienic stainless steel, in all mounting styles
- Interchangeable industry-standard mounted bearing from 20 mm to 50 mm (¾ in. to 2 in.)
- Designed for normal operation between -20° C and 100° C (-4° F and 212° F)
- Solid Lube options

#### **Improve Food Safety**

Our products meet the most stringent food safety legislation and regulations. You gain reliable operations with peak performance in critical machines.

#### **Achieve Lower Cost Of Ownership**

Long-lasting products and predictive maintenance help you avoid sudden, expensive shutdowns. Head off costly changeouts with products designed to handle corrosion, thermal expansion and harsh chemicals.



## HOW TO USE THIS CATALOG

We designed this catalog to help you find the Timken bearings best suited to your equipment needs and specifications. Timken offers an extensive range of bearings and accessories in both imperial and metric sizes. For your convenience, size ranges are indicated in millimeters and inches. Contact your Timken engineer to learn more about our complete line for the special needs of your application.

This publication contains dimensions, tolerances and load ratings, as well as engineering sections describing mounting and fitting practices for shafts and housings, internal clearances, materials and other bearing features.

It provides valuable assistance in the initial consideration of the type and characteristics of the bearings that may best suit your particular needs.

ISO, as used in this publication, refers to the International Organization for Standardization and JIS refers to the Japanese Industrial Standards.

**Updates are made periodically to this catalog. Visit [www.timken.com/catalogs](http://www.timken.com/catalogs) for the most recent version of the Corrosion-Resistant Mounted Ball Bearing Catalog.**

## SHELF LIFE AND STORAGE OF GREASE-LUBRICATED BEARINGS AND COMPONENTS

To help you get the most value from our products, Timken provides guidelines for the shelf life of grease-lubricated ball and roller bearings, components and assemblies. Shelf life information is based on Timken and industry test data and experience.

### SHELF LIFE

Shelf life should be distinguished from lubricated bearing/component design life as follows:

Shelf life of the grease-lubricated bearing/component represents the period of time prior to use or installation.

The shelf life is a portion of the anticipated aggregate design life. It is impossible to accurately predict design life due to variations in lubricant bleed rates, oil migration, operating conditions, installation conditions, temperature, humidity and extended storage.

**TIMKEN IS NOT RESPONSIBLE FOR THE SHELF LIFE OF ANY BEARING/COMPONENT LUBRICATED BY ANOTHER PARTY.**

### European REACH compliance

Timken lubricants, greases and similar products sold in standalone containers or delivery systems are subject to the European REACH (Registration, Evaluation, Authorization and Restriction of CHemicals) directive. For import into the European Union, Timken can sell and provide only those lubricants and greases that are registered with ECHA (European CHemical Agency). For further information, please contact your Timken engineer.

### STORAGE

Timken suggests the following storage guidelines for our finished products (bearings, components and assemblies, referred to as "products"):

- Unless directed otherwise by Timken, products should be kept in their original packaging until they are ready to be placed into service
- Do not remove or alter any labels or stencil markings on the packaging
- Products should be stored in such a way that the packaging is not pierced, crushed or otherwise damaged
- After a product is removed from its packaging, it should be placed into service as soon as possible
- When removing a product that is not individually packaged from a bulk pack container, the container should be resealed immediately after the product is removed
- The storage area temperature should be maintained between 0° C and 40° C; temperature fluctuations should be minimized
- The relative humidity should be maintained below 60 percent and the surfaces should be dry
- The storage area should be kept free from airborne contaminants such as, but not limited to, dust, dirt, harmful vapors, etc.
- The storage area should be isolated from undue vibration
- Extreme conditions of any kind should be avoided

Due to the fact that Timken is not familiar with your particular storage conditions, we strongly suggest following these guidelines. However, you may be required by circumstances or applicable government requirements to adhere to stricter storage requirements.

Be careful in selecting lubrication, however, since different lubricants are often incompatible.

When you receive a bearing shipment, do not remove products from their packaging until they are ready for mounting so they do not become corroded or contaminated.

Store bearings and bearing housings in an appropriate atmosphere so they remain protected for the intended period.

**WARNING**

***Failure to observe the following warnings could create a risk of death or serious injury.***

Proper maintenance and handling practices are critical. Always follow installation instructions and maintain proper lubrication.

Never spin a bearing with compressed air.  
The components may be forcefully expelled.

Overheated bearings can ignite explosive atmospheres. Special care must be taken to properly select, install, maintain and lubricate mounted bearings that are used in or near atmospheres that may contain explosive levels of combustible gases or accumulations of dust such as grain, coal, or other combustible materials.

Consult your equipment designer or supplier for installation and maintenance instructions.

If hammer and bar are used for installation or removal of a part, use a mild steel bar (e.g., 1010 or 1020 grade). Mild steel bars are less likely to cause release of high speed fragments from the hammer or bar or the part being installed or removed.

Ungrounded bearings can create static electricity that can ignite in an explosive atmosphere such as combustible gases or accumulations of dust such as grain, coal, or other combustible materials. Proper dissipation of such potential static electricity discharge must be assured to prevent any such explosion.

Below -40° C (-40° F), polymer housings may break.  
Select stainless or steel housings that operate to lower temperatures.

Tensile stresses can be very high in tightly fitted bearing components. Attempting to remove such components by cutting the inner ring may result in a sudden shattering of the component, causing fragments of metal to be forcefully expelled.

Always use properly guarded presses or bearing pullers to remove bearings from shafts, and always use suitable personal protective equipment, including safety glasses.

**For additional Timken product warnings, visit [www.timken.com/warnings](http://www.timken.com/warnings).**

**CAUTION**

***Failure to observe the following cautions could result in property damage.***

The products cataloged are application specific. Any use in applications other than those intended could lead to equipment failure or to reduced equipment life.

Use of improper bearing fits may cause damage to equipment.

Do not use damaged mounted bearings.

Do not use damaged bearings.  
The use of a damaged bearing can result in equipment damage.

**NOTE**

*Do not use excessive force when mounting or dismounting the unit.*

*Follow all tolerance, fit, and torque recommendations.*

*Always follow the Original Equipment Manufacturer's installation and maintenance guidelines.*

*Ensure proper alignment.*

*Never weld mounted bearings.*

*Do not heat components with an open flame.*

*Do not operate at bearing temperatures above 121° C (250° F).*

**DISCLAIMER**

***This catalog is provided solely to give you analysis tools and data to assist you in your product selection. Product performance is affected by many factors beyond the control of Timken. Therefore, you must validate the suitability and feasibility of all product selections.***

***Timken products are sold subject to Timken terms and conditions of sale, which include our limited warranty and remedy. You can find these at <https://www.timken.com/legal-notices/termsandconditionsofsale/>.***

***Please consult with your Timken engineer for more information and assistance. Every reasonable effort has been made to ensure the accuracy of the information in this writing, but no liability is accepted for errors, omissions or for any other reason.***



## ENGINEERING

Timken offers a full range of standard corrosion-resistant Mounted Ball Bearings with stainless steel set screw inserts in both metric and imperial sizes.

The following topics are covered within this section:

Housing Styles .....	6
End Cover Styles .....	7
Product Information .....	8
IP69K .....	10
QuiKlean .....	12
Housing Styles .....	14
Nomenclature .....	15
Mounted Bearing Installation .....	16
Installing Units with Covers .....	17
Lubrication .....	18
Radial Internal Clearance .....	19
Speed Ratings .....	19



*To view more Timken catalogs, go to [www.timken.com/catalogs](http://www.timken.com/catalogs) for interactive versions, or to download the Timken catalog app for your smart phone or mobile device scan the QR code or go to [timkencatalogs.com](http://timkencatalogs.com).*

# HOUSING STYLES

Timken offers corrosion-resistant housings available in cast stainless steel, white polymer (thermoplastic) as well as in hygienic blue polymer (thermoset) and hygienic stainless steel.

**TABLE 1.  
HOUSING UNIT MODEL LIST**

Model (Representative Image)	Insert Material	Locking Style	Housing Material (Available in)	Model Code	Shaft Diameter				Dimension Table Page Number	
					Min.	Max.	Min.	Max.		
					in.		mm			
	Ball Bearing Inserts	Stainless Steel (S)	Set Screw (UC)	—	SUC	3/4	2.0	20	50	100, 101
	Pillow Block Units (P)	Stainless Steel (S)	Set Screw (UC)	White Polymer (Thermoplastic)	SUCPLP	3/4	2.0	20	50	22, 23
				Stainless Steel	SUCSP					56, 57
				Hygienic Blue Polymer (Thermoset)	SUCBP					32, 33
				Hygienic Stainless Steel	SUCAP					82, 83
	Two-Bolt Flange Units (FL)	Stainless Steel (S)	Set Screw (UC)	White Polymer (Thermoplastic)	SUCPLFL	3/4	2.0	20	50	24, 25
				Stainless Steel	SUCSFL SUCSFLQK SUCSFLY SUCSFLSQK					58, 59 60, 61 62, 63 64, 65
				Hygienic Blue Polymer (Thermoset)	SUCBFL SUCBFLQK					34, 35 36, 37
				Hygienic Stainless Steel	SUCAFL					84, 85
	Three-Bolt Flange Units (FB)	Stainless Steel (S)	Set Screw (UC)	White Polymer (Thermoplastic)	SUCPLFB	3/4	1 7/16	20	35	26, 27
				Stainless Steel	SUCSFB SUCSFBQK					66, 67 68, 69
				Hygienic Blue Polymer (Thermoset)	SUCBFB SUCBFBQK					38, 39 40, 41
				Hygienic Stainless Steel	SUCAFB					86, 87
	Four-Bolt Flange Units (F)	Stainless Steel (S)	Set Screw (UC)	White Polymer (Thermoplastic)	SUCPLF	3/4	2.0	20	50	28, 29
				Stainless Steel	SUCSF SUCSFQK					70, 71 72, 73
				Hygienic Blue Polymer (Thermoset)	SUCBF SUCBFQK					42, 43 44, 45
				Hygienic Stainless Steel	SUCAF					88, 89
	Take-Up Units (T)	Stainless Steel (S)	Set Screw (UC)	Hygienic Blue Polymer (Thermoset)	SUCBT	3/4	2.0	20	50	52, 53
				Hygienic Stainless Steel	SUCAT					96, 97
				Stainless Steel	SUCST					78, 79
	Tapped Base (TB)	Stainless Steel (S)	Set Screw (UC)	Stainless Steel	SUCSTB SUCSTBY SUCSTBYM	3/4	2.0	20	50	74, 75 76 77
				Blue Polymer (Thermoset)	SUCBTBY SUCBTBYM					48, 49 50, 51
				Hygienic Stainless Steel	SUCATBY SUCATBYM					92, 93 94, 95
	Piloted Round Flange (FC)	Stainless Steel (S)	Set Screw (UC)	Hygienic Blue Polymer (Thermoset)	SUCBFC	7/8	2.0	25	50	46, 47
				Hygienic Stainless Steel	SUCAFC					90, 91





## END COVER STYLES

Timken offers corrosion-resistant open and closed end covers made of stainless steel or polymer (thermoplastic) that can be used for additional protection.

Covers for Mounted Ball Bearings are available in two different materials (stainless steel and polymer) and two different

configurations (open and closed). The appropriate cover part numbers are shown in the product tables. Stainless steel end covers are intended for stainless steel housings only. Polymer end covers can be installed in either stainless steel or polymer housings.

**TABLE 2.  
END COVER MODEL LIST**

Model	End Cover Material	Model Code	Shaft Diameter				Dimension Table Page Number	
			Min.	Max.	Min.	Max.		
			in.		mm			
	End Covers	Stainless Steel (S)	ECS-U, EOS-U	¾	2.0	20	50	78
	End Covers	Polymer (P)	ECP-U, EOP-U	¾	2.0	20	50	79

Timken polymer end covers have drain holes that allow water that enters to cover to drain out.  
Note: Hygienic housings do not accept end covers.

## PRODUCT INFORMATION

### STAINLESS STEEL PRECISION FORMED FLINGER

Provides the first level of protection against contamination.

### TIMKEN® IP69K MOUNTED BALL BEARINGS

Timken Bearings rated for IP69K are specifically engineered to perform in Food and Beverage applications where high-pressure washdowns, dust, high humidity and excessive temperature differences exist. To meet the IP69K rating (for water and dust), our bearings did not allow any water or dust past the seal during the aggressive tests. Optically detectable blue FDA/EC IP69K seals comply with FDA guidelines for indirect food additives under 21 CFR 177.2600 'Rubber articles intended for repeated use', and meets the requirements of EC 1935/2004 'materials and articles intended to come into contact with food'.

### HIGH-PERFORMANCE THREE ELEMENT SEAL

Offers additional levels of protection with a bonded nitrile rubber seal engineered interfaces contacting the flinger and inner ring, and an inward facing lip allows grease to move toward the balls and raceways. The three element sealing system is designed to protect during washdown, keeping contaminants out and grease in.

### HARDENED AND GROUND SEAL LAND

Helps protect against abrasive wear, extending seal life.

### STAINLESS STEEL OUTER RING WITH SPHERICAL OUTSIDE DIAMETER

Engineered fit between bearing and housing to improve bearing life.

### LUBRICATION DELIVERY SYSTEM

Precision-machined lubrication groove and holes in the outer ring of the bearing. Standard bearings are pre-lubricated with food grade grease with Solid Lube options also available.

### STAINLESS STEEL BALLS AND STAINLESS STEEL CAGE

Stainless steel cage provides effective ball guidance and high-temperature service capability. Metal detection is possible since the entire bearing is made of metal.

### STAINLESS STEEL WIDE INNER RING BALL BEARING INSERT

Improved shaft support over narrow rings, improving bearing life and reducing misalignment.

### STAINLESS STEEL AND POLYMER HOUSING OPTIONS

Hygienic construction with laser marking, solid base and smooth surface for maximum cleanability.

### WHAT IS HYGIENIC DESIGN?

Hygienic design is the practice of engineering and designing machines with safer food production in mind. Built to address common food safety hazards, hygienic design products resist:

- Chemical contamination related to lubricant leakage, oxide particles or polymer contact.
- Physical contamination, including foreign particles from loose or broken parts.
- Microbiological contamination from bacteria or fungi that develop in dead volumes.

Our hygienic design products have been designed according to NSF/ANSI/3-A SSI 14159-1 – 2014 requirements. These globally recognized standards help improve food safety by:

- Mandating the use of corrosion- and washdown-resistant materials.
- Requiring construction that facilitates cleaning and inspection.
- Preventing the retention of moisture and contaminants.

Timken hygienic housings meet the highest standards in food safety. They feature:

- Highly corrosion-resistant stainless steels and chemically resistant engineered polymers.
- Hygienic construction due to its solid base with no dead spaces that cannot be accessed for cleaning, smooth surface, sleek and rounded shape, laser marking.

As a result, Timken Hygienic housings are certified as Accepted Equipment by the USDA under the Meat and Poultry Equipment Review Program.



Take food safety to the next level with:

- Greaseless ball bearings with NSF H1-registered solid lube.
- Metal cage ball bearings for enhanced detectability.
- Optically detectable blue polymer housings.
- Optional QuiKlean® stand-off for maximum cleanability and limited contact area.
- Optically detectable Blue FDA/EC compliant seals.
- IP69K rated to resist wash down ingress.

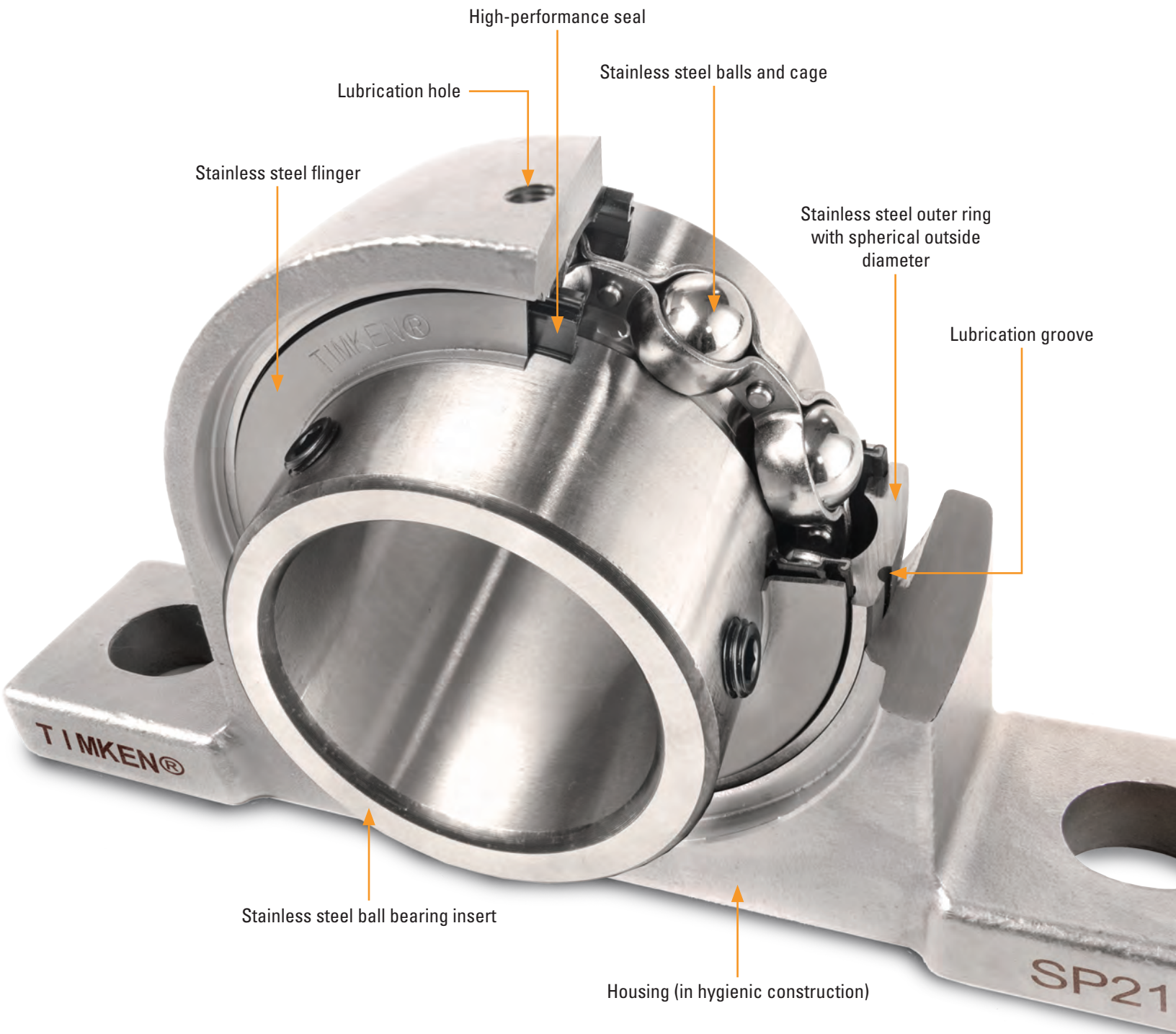


Fig. 1. Diagram of a corrosion-resistant pillow block mounted bearing.

## IP69K MOUNTED BALL BEARINGS

### FULLY STAINLESS BEARINGS WITH IP69K WATER AND DUST PROTECTION RATING WITHOUT THE USE OF AN END COVER FOR FOOD AND BEVERAGE APPLICATIONS.

Heavy washdowns with harsh cleaning chemicals are critical to achieve food safety in food and beverage processing and packaging equipment. Pair that with an abundance of moisture and you risk corrosion to equipment components if they are not properly engineered for this environment.

Timken Bearings rated for IP69K are specifically engineered to perform in Food and Beverage applications where high-pressure washdowns, high humidity and excessive temperature differences exist. To meet the IP69K rating, our bearings did not allow any water or dust past the seal during the aggressive tests.

Timken IP69K Mounted Ball Bearings can meet safety requirements of challenging food processing applications.

#### KEY EQUIPMENT TYPES

- Conveyors
- Slicers
- Beverage Machinery
- Food Processing Machinery



#### MAINTENANCE FREE

With Timken, our solutions are lubed for life, containing food grade grease or solid lube options. With these solutions, there's no need to re-grease, resulting in minimal maintenance to the bearing.

#### IMPROVED FOOD SAFETY

By eliminating water ingress, corrosion and rust on the bearing is also eliminated. This not only extends the life of the bearing, but also reduces the risk of contamination to food during processing and production. Optically detectable blue FDA/EC IP69K seals comply with FDA guidelines for indirect food additives under 21 CFR 177.2600 'Rubber articles intended for repeated use', and meets the requirements of EC 1935/2004 'materials and articles intended to come into contact with food'.

#### MAXIMIZED PRODUCTIVITY

Our products are designed for efficiency. You can maintain optimum operating efficiency despite chemical washdowns and wet environments.

#### PRODUCT ADVANTAGES

##### Superior Protection

Timken achieves IP69K rating without a sealed end-cover.

##### Fully Stainless

Our ball inserts (rings, balls, cage) are fully stainless making them fully metal detectable and corrosion resistant.

##### Housing Variety

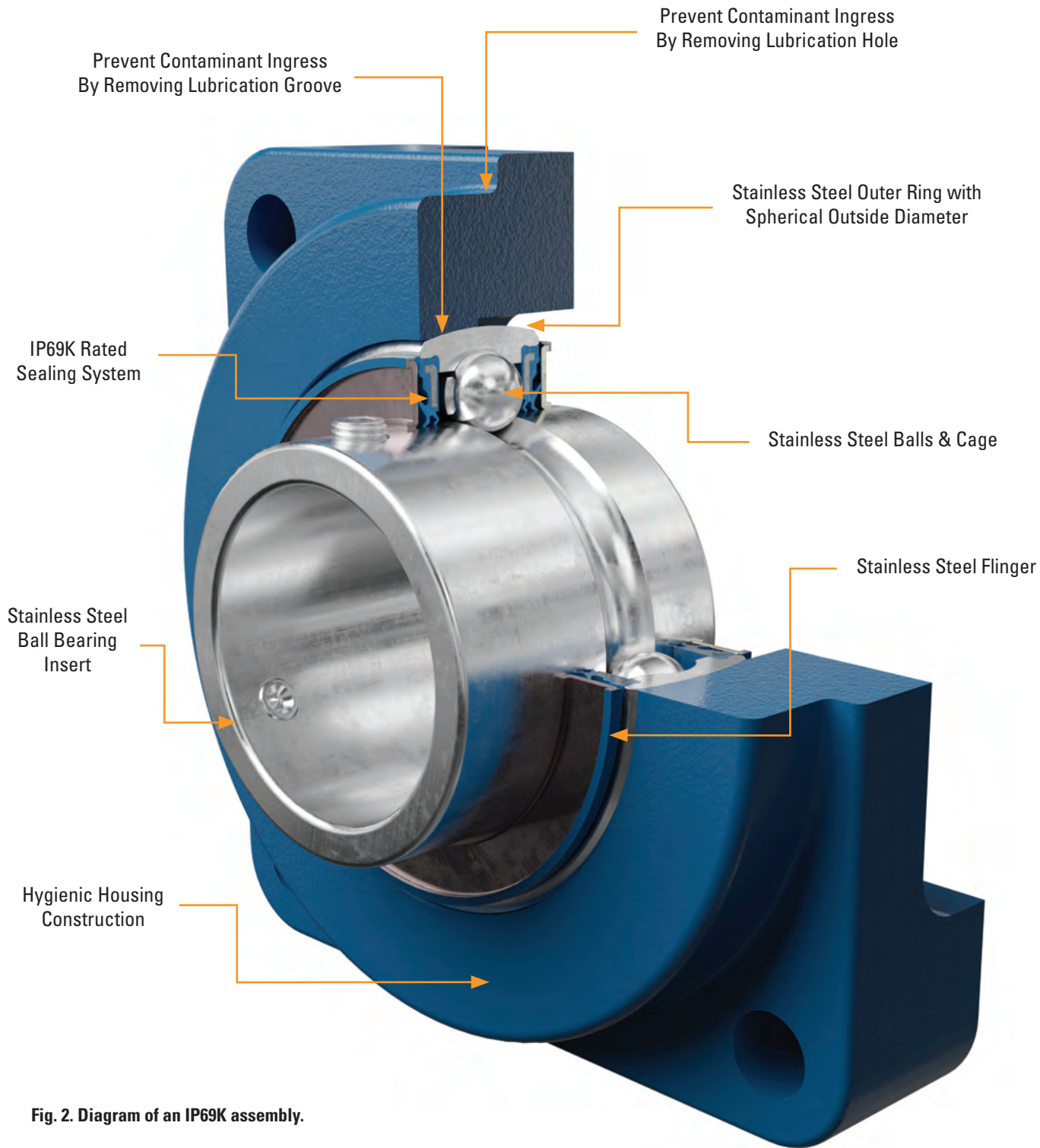
Our IP69K insert is available in combination with four different housing materials including standard cast stainless, white thermoplastic, hygienic stainless and hygienic blue thermoset housing material.

##### Numerous Housing Types

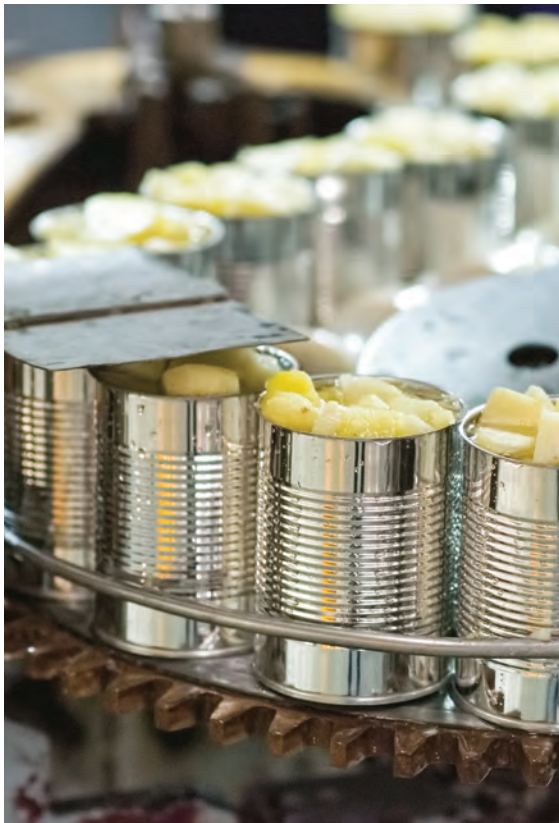
Our IP69K ball bearing insert is available in thousands of housing combinations including custom options designed to fit any food and beverage application need.



**IP69K ASSEMBLY**



**Fig. 2. Diagram of an IP69K assembly.**



## **IMPROVE FOOD SAFETY ON THE PROCESS FLOOR**

### **TIMKEN® QUIKLEAN® HOUSING AVAILABLE IN CAST STAINLESS OR POLYMER FOR A CLEANER ALTERNATIVE TO STANDARD HOUSINGS**

Timken® QuiKlean® Mounted Bearings are now available in both stainless and polymer for more production options. Designed to replace standard Two-Bolt, Three-Bolt and Four-Bolt flange housings, with an integrated stand-off base that simplifies the cleaning process, improves sanitation and limits contact area where bacteria can hide. Accepts open or closed caps.

Timken QuiKlean housings' 12.7 mm (½ in.) stand-off base for cast stainless and blue optically detectable thermoset allows for wash-down on all sides-ideal for food processing environments where cleanliness is paramount.



### **TIMKEN® QUIKLEAN® HOUSINGS**

- 1-piece, cast stainless or polymer construction
- Eliminates the need for spacers
- Smoother surfaces, fewer crevices, easy to clean
- Integrated stand-off allows access for cleaning on all sides
- Reduces downtime from sanitary violations
- No small components to handle or misplace

## QUIKLEAN

### TIMKEN® QUIKLEAN HOUSINGS TO SIMPLIFY THE CLEANING PROCESS

With an integrated stand-off base that simplifies the cleaning process, Timken QuiKlean Housings are designed to improve sanitation and limit contact areas where bacteria can hide. They're available in both stainless and polymer for more production options, and accepts open or closed caps.

Timken QuiKlean housings' 12.7 mm (1/2 in.) stand-off base for cast stainless and blue optically detectable thermoset allows for wash-down on all sides-ideal for food processing environments where cleanliness is paramount.

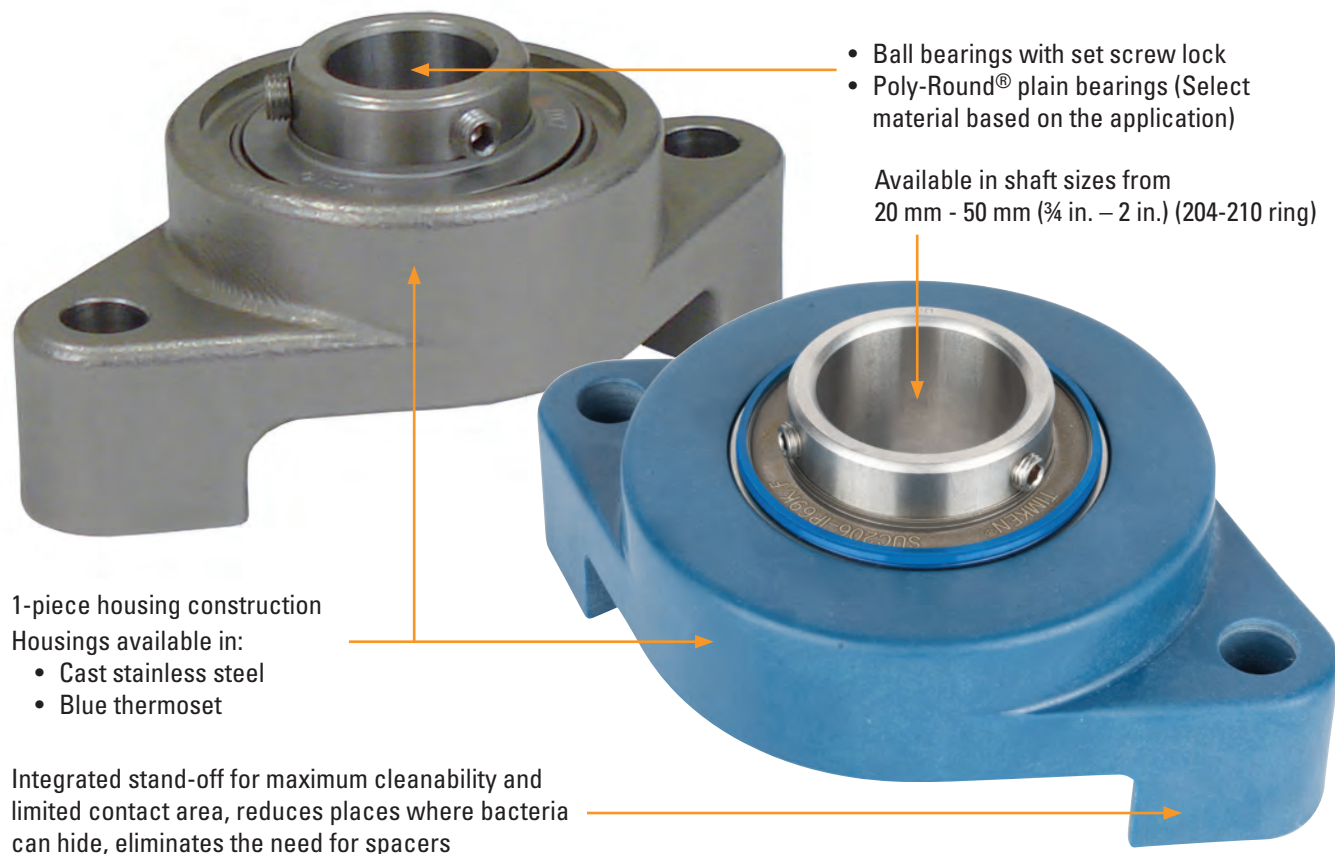


Fig. 3. Diagram of QuiKlean Mounted Unit.

### TIMKEN QUIKLEAN® MOUNTED BEARING EXAMPLE PART NUMBER

SUCSFLQK205-16/F

HOUSING



Fig. 7. PL - white polymer (thermoplastic).

- White polymer (thermoplastic) solid body housing
- Smooth surface
- Laser marking
- Lubrication hole plugged for Solid Lube insert



Fig. 8. B - hygienic blue (thermoset).

- Hygienic blue polymer (thermoset) solid body housing
- Ultra smooth surface
- USDA acceptance for housings
- Laser marking
- No lubrication hole for Solid Lube insert



Fig. 5. S - stainless steel.

- Stainless steel solid body housing
- Smooth surface
- Laser marking
- Lubrication hole plugged for Solid Lube insert



Fig. 6. A - hygienic stainless steel.

- Hygienic machined stainless steel housing
- Ultra smooth surface
- USDA acceptance for housings
- Laser marking
- No lubrication hole for Solid Lube insert



# NOMENCLATURE

## CORROSION-RESISTANT MOUNTED BALL BEARING

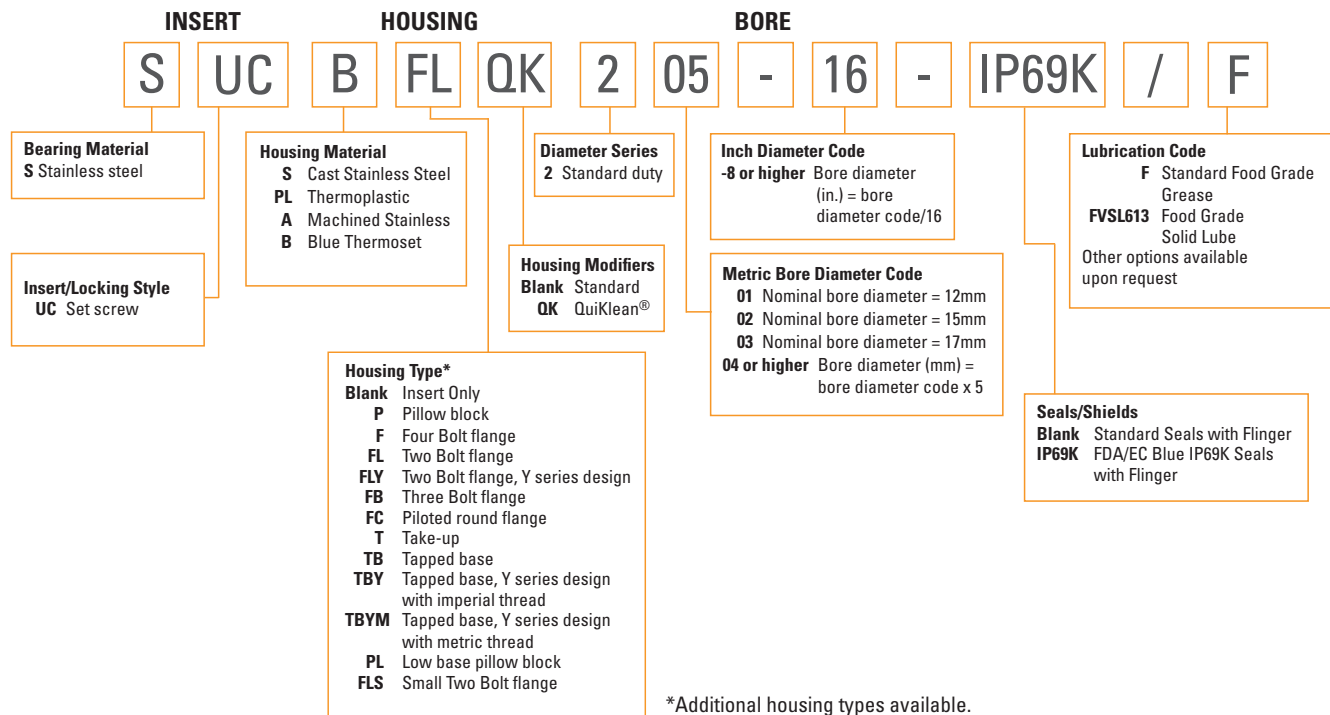


Fig. 9. Corrosion-resistant mounted ball bearing nomenclature.

## CORROSION-RESISTANT MOUNTED BALL BEARING END COVER

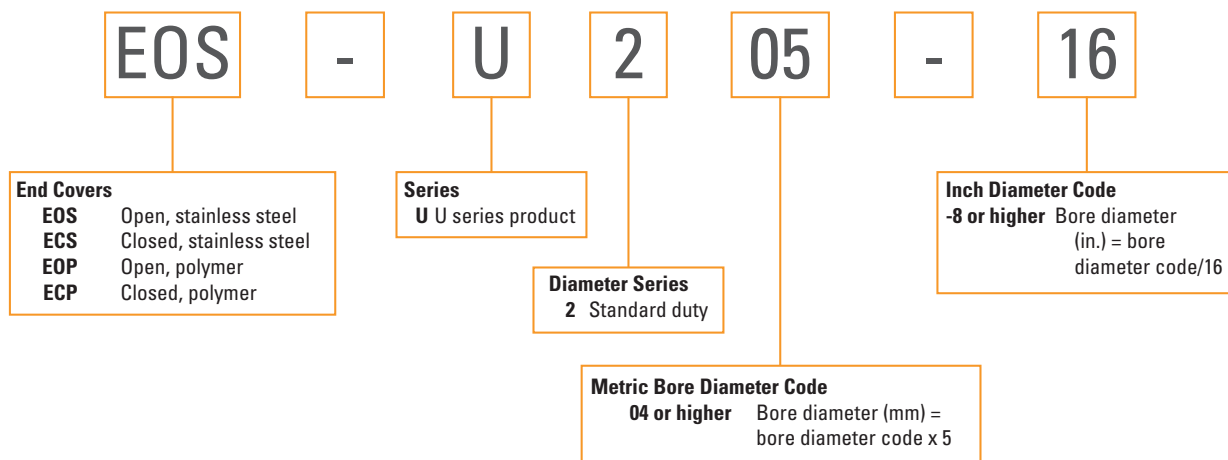


Fig. 10. Corrosion-resistant mounted ball bearing end cover nomenclature.

## MOUNTED BALL BEARING INSTALLATION

### SET SCREW STYLE UNITS

Set screw style units are mounted on the shaft with the help of two set screws in the inner ring located at 120 degrees to each other. The set screw locking mechanism provides ease in mounting and is suitable for applications where the shaft rotation is bidirectional.

Installation procedures for set screw style units are shown below.

1. Ensure that the shaft is clean, free from burrs, straight and of proper diameter. The bearing should not be mounted on a worn section of the shaft. Using shafts with hardness greater than HRC 45 will reduce effectiveness of locking devices. See table 3 for suggested shaft tolerances.
2. Install the supplied grease fitting into the threaded lubrication hole on the housing. Align the bearing in its housing and slide the unit into position on the shaft.

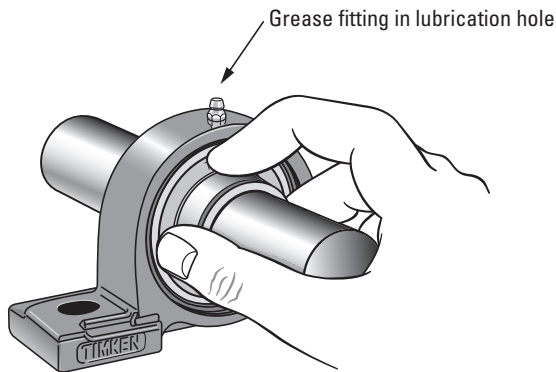


Fig. 9. Installing grease fitting into threaded lubrication hole.

3. Bolt the housing tightly to its mounting supports using an appropriately sized fastener and suggested bolt torque (table 4). Flat washers should be used when installing any kind of mounted bearing. Washers should be properly sized to bolt diameter.

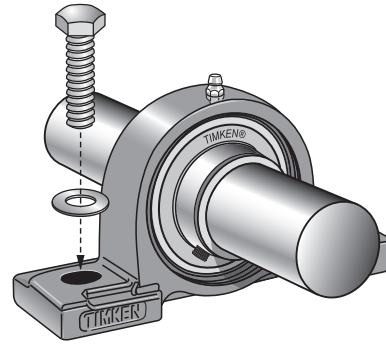


Fig. 10. Bolting the housing.

4. Lock the bearing to the shaft by tightening each inner ring set screw incrementally to suggested torque levels (table 5).

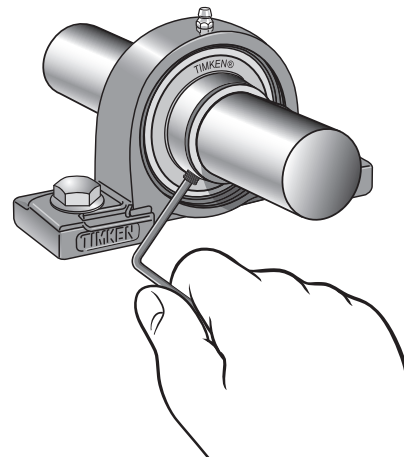


Fig. 11. Locking the bearing.

## TECHNICAL DATA

The following tables provide important installation details related to shaft tolerance, recommended torque for set screws and mounting bolts.

**TABLE 3.**  
**SUGGESTED SHAFT TOLERANCE (1)**

Shaft Size		Shaft Tolerance	
Over	Incl.	Min.	Max.
mm in.	mm in.	mm in.	mm in.
20 0.750	30 1.000	0 0.000	-0.013 -0.0005
30 1.125	50 1.938	0 0.000	-0.016 -0.0006

(1) These are for normal service; for heavy loads, high speeds or vertical shaft applications, consult your equipment manufacturer or your local Timken representative.

**TABLE 4.**  
**SUGGESTED MOUNTING BOLT TORQUE**

Bolt Size	Tightening Torque	Bolt Size	Tightening Torque
mm	N-m	in.	ft.-lbs.
M8	6 – 10	5/16	4 – 7
M10	12 – 21	3/8	9 – 16
M12	21 – 37	7/16	16 – 27
M14	34 – 60	1/2	26 – 44
M16	53 – 93	5/8	39 - 69

**TABLE 5.**  
**SUGGESTED SET SCREW TIGHTENING TORQUE**

Set Screw Size	Tightening Torque	Applicable Bore Ranges
mm	N-m	
M6 x 0.75	4	204 - 206
M8 x 1	8	207 - 210

## INSTALLING UNITS WITH COVERS

The installation procedures for mounted bearings with covers are below:

1. Install covers after installing the mounted bearing.
2. Make sure the groove for the cover in the housing is clean and free of contamination.
3. Some application conditions may warrant filling the end covers with grease prior to installation.
4. When using an open cover, apply grease all around the seal lip and slide it onto the shaft.
5. Press the cover into the groove.
  - a. When using a polymer cover, press it into the groove until it is fully seated. Ensure that the drain hole is positioned directly downward.
  - b. When using a stainless steel cover, tap all around the cover with a plastic mallet until it is fully seated.



Fig. 12. End covers.

## LUBRICATION GREASE

Ball bearings must be lubricated to minimize friction between balls and raceways as well as between balls and cages. Lubricants can also help protect the bearings from corrosion and ingress of contaminants.

Timken Corrosion-Resistant U Series Bearings are factory pre-lubricated. They feature food-grade grease chosen for rust, corrosion and washdown resistance. The standard grease supplied by Timken is Mobil SHC™ Polyrex 462. This synthetic-oil based, advanced polyurea-thickened grease is registered under the NSF H1 category. It complies with the Food and Drug Administration’s (FDA) guidelines for lubricants with incidental food contacts under 21.CFR 178.3570. The grease is also Kosher certified. Mobil SHC Polyrex 462 maintains proper lubrication for a wide range of operating temperatures from -20° C to 170° C (-4° F to 338° F).

Timken Corrosion-Resistant U Series Ball Bearings are pre-lubricated. However, it is advised to re-lubricate periodically in some applications for which these units are designed. Consult your equipment manufacturer’s operating manual for the specific relubrication cycle. General guidelines are found in table 6 below.

**TABLE 6.  
GENERAL RELUBRICATION SUGGESTIONS  
FOR GREASED BEARINGS (1)**

Condition	Relubrication Interval
Indoor service, no washdown	Not required
Outdoor service	Two or three times per year
Severe outdoor exposure and washdown	Once a month
High contamination and severe washdown	Once a week

(1) As a guideline, relubricate until the first indication of grease is observed purging from the bearing.

## SOLID LUBE

Timken® Solid Lube provides a lubricating alternative to grease in harsh environments.

Solid Lube is a micro-porous polymer structure combined with high-performance oils and additives. It completely fills the free volume in the bearing between the races, rolling elements and the cage. Thanks to its micro-porous structure, the solid lubricant can contain up to three times as much oil as a similar volume of grease.

During bearing rotation, the solid lubricant polymer releases the appropriate amount of oil to lubricate the rolling elements and raceways.

Timken Solid Lube is:

- **Hygienic.** Its unique makeup helps prevent lube from contaminating food products. Some Solid Lube grades have NSF H1 registration.
- **Protective.** Its full-fill and large-oil reservoir helps guard against washdown and ingress of contaminants for safe and reliable operation.
- **Cost-effective.** Timken Solid Lube helps reduce your operating costs and increase operational productivity.
- **Versatile.** With a wide range of Solid Lube solutions, we can match application requirements, including extreme temperatures or washdown environments.

Timken/FVSL613 Solid Lube option contains an NSF H1-registered synthetic oil that complies with FDA guidelines for lubricants with incidental food contacts under 21.CFR 178.3570. It maintains proper lubrication for a wide range of operating temperatures from -45° C to 93° C (-49° F to 200° F) and provides protection against corrosion.

Other Solid Lube options are available for applications with higher temperatures, extreme chemical harshness or for industrial applications. For further information, please contact your Timken engineer.

## RADIAL INTERNAL CLEARANCE

During ball bearing manufacturing, it's standard practice to assemble rings and rolling elements with a specified internal clearance. This characteristic is necessary to absorb the loss of clearance due to thermal gradient within the bearing. Internal clearance in an application is an important factor that has a significant influence on bearing performance, as well as characteristics of heat, noise and vibration.

**TABLE 7.**  
**INTERNAL CLEARANCE**

Nominal Bearing Bore Dia. d		Radial Internal Clearance	
Over	Incl.	Min.	Max.
mm		µm	
20	24	13	28
24	30	13	28
30	40	15	33
40	50	18	36

## SPEED RATINGS

Many factors influence the maximum speed at which a mounted ball bearing can operate. These include the bearing design, seal design, lubricant selection and variable environmental conditions.

Maximum operating speeds are defined to maintain reasonable operating temperatures within the bearing. Going above these speed suggestions could result in high temperatures, less than desirable bearing performance, and/or degraded sealing performance. Proper maintenance is key when operation is at or near these published maximum speeds. Maximum allowable operating speeds may need to be adjusted for extreme environmental conditions like extreme temperatures.

Table 8 shows the standard allowable rotating speeds for Timken stainless steel ball bearings. These speeds apply for both grease lubricated bearings and bearings with Timken Solid Lube.

**TABLE 8.**  
**ALLOWABLE ROTATING SPEED FOR MOUNTED BEARINGS**

Bore Dia. Code	SUC Standard Speed	SUC IP69K Speed
		RPM
04	5800	1150
05	5100	1020
06	4300	860
07	3700	730
08	3300	625
09	3100	525
10	2800	400

- Allowable rotating speed of bearing units with covers is 80 percent of the value shown in the table 8.
- When a bearing unit is used with an excessively loose fit, the allowable rotating speed must be calculated by multiplying it by the fitting factor  $f_c$  shown in the below table 9.
- If operating outside of these boundaries, please contact Timken directly.

**TABLE 9.**  
**FITTING FACTOR  $f_c$  FOR MOUNTED BEARINGS**

Type of Ball Bearing Units	Fitting Factor $f_c$ Shaft Tolerance Range Class				
	j6	h6	h7	h8	h9
UC set screw locking	1	1	0.8	0.5	0.2

- The allowable rotating speed of a bearing unit filled with Solid Lube may be effected by the temperature of the application environment. Speed ratings for Solid Lube are based on a typical room temperature environment (~20° C). Speed ratings are reduced when environmental temperatures are higher than typical room temperature. For further information, please contact your Timken engineer

## LIMITING SPEED

For certain ball bearing types and sizes, cage behavior becomes the limiting factor to bearing operating speed. For such bearings, the thermal speed rating per ISO 15312:2003 is not shown. Instead, Timken publishes limiting speeds for those bearings, as is the case for thin-section and extra-small deep groove ball bearings. For bearings with contact seals, the speed rating also is impacted by the speed of the seal. In general, bearings with contact seals have speed ratings that are 50 percent to 60 percent of the published speed rating of the equivalent open bearing.



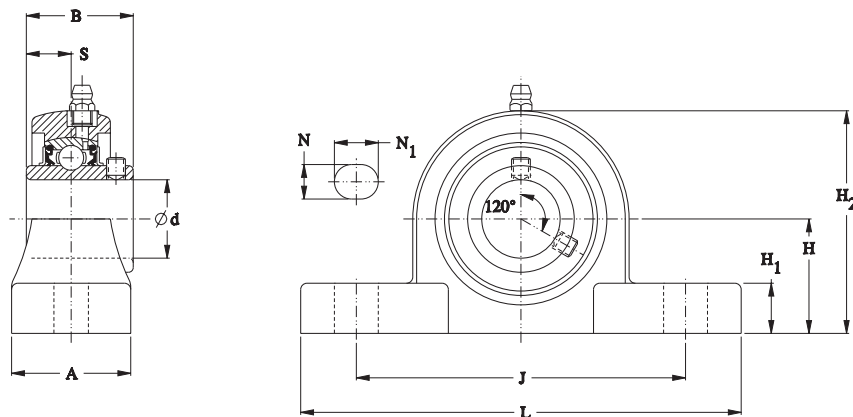


***WHITE POLYMER  
(THERMOPLASTIC) HOUSING  
WITH STAINLESS STEEL BALL  
BEARING INSERTS***

The following topics are covered within this section:

White Polymer (Thermoplastic) Pillow Block Mounted Bearings . . . . .	22
White Polymer (Thermoplastic) Two-Bolt Flanged Mounted Bearings . . . . .	24
White Polymer (Thermoplastic) Three-Bolt Flanged Mounted Bearings . . . . .	26
White Polymer (Thermoplastic) Four-Bolt Flanged Mounted Bearings . . . . .	28

### WHITE POLYMER (THERMOPLASTIC) PILLOW BLOCK MOUNTED BEARINGS

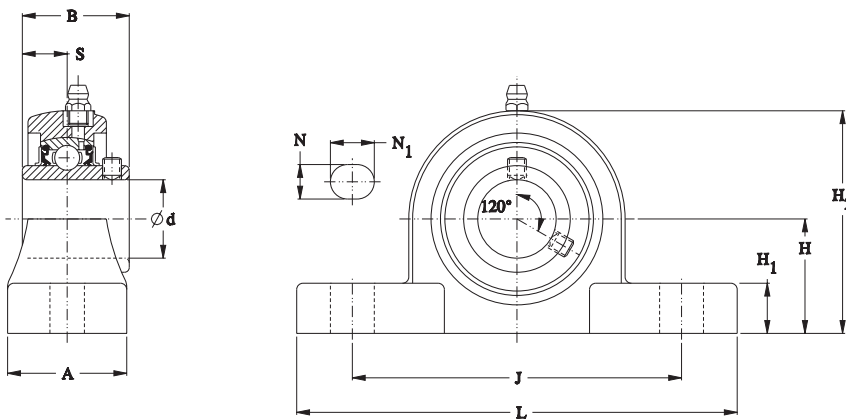


Shaft Dia. d		Pillow Block Designation	Bearing Designation	Basic Load Ratings		Dimensions										Bolt Size	Wt.
				Dynamic	Static	H	L	A	H <sub>1</sub>	J	H <sub>2</sub>	S	B	N	N <sub>1</sub>		
				C <sub>r</sub>	C <sub>0r</sub>	mm in.	mm in.	mm in.	mm in.	mm in.	mm in.	mm in.	mm in.	mm in.	mm in.		
20	3/4	SUCPLP204-12/F	SUC204-12/F	10.9 2450	5.4 1203	33.3 1.311	127 5.000	38 1.496	14.2 0.559	95 3.740	65.5 2.579	12.7 0.500	31 1.220	11 0.433	14 0.551	M8 3/16	0.29 0.6
		SUCPLP204/F	SUC204/F														
25	7/8	SUCPLP205-14/F	SUC205-14/F	11.9 2675	6.3 1416	36.5 1.437	140.5 5.531	38 1.496	16 0.630	105 4.134	71 2.795	14.3 0.563	34.1 1.343	11 0.433	14 0.551	M8 3/16	0.35 0.8
		SUCPLP205-15/F	SUC205-15/F														
		SUCPLP205-16/F	SUC205-16/F														
		SUCPLP205/F	SUC205/F														
30	1 1/8	SUCPLP206-18/F	SUC206-18/F	16.5 3709	9.1 2035	42.9 1.689	163 6.417	46 1.811	17.8 0.701	119 4.685	84 3.307	15.9 0.626	38.1 1.500	14 0.551	18 0.709	M12 1/2	0.55 1.2
		SUCPLP206-19/F	SUC206-19/F														
		SUCPLP206-20/F	SUC206-20/F														
		SUCPLP206/F	SUC206/F														
35	1 1/4	SUCPLP207-20/F	SUC207-20/F	21.8 4901	12.3 2765	47.6 1.874	168 6.614	48 1.890	18 0.709	127 5.000	94.5 3.720	17.5 0.689	42.9 1.689	14 0.551	18 0.709	M12 1/2	0.75 1.7
		SUCPLP207-21/F	SUC207-21/F														
		SUCPLP207-22/F	SUC207-22/F														
		SUCPLP207/F	SUC207/F														
		SUCPLP207-23/F	SUC207-23/F														



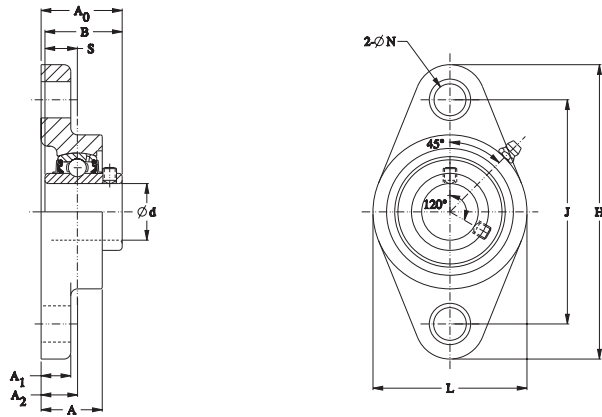
# WHITE POLYMER (THERMOPLASTIC) HOUSING WITH STAINLESS STEEL BALL BEARING INSERTS

## WHITE POLYMER (THERMOPLASTIC) PILLOW BLOCK MOUNTED BEARINGS



Shaft Dia. d		Pillow Block Designation	Bearing Designation	Basic Load Ratings		Dimensions										Bolt Size	Wt.
				Dynamic	Static	H	L	A	H <sub>1</sub>	J	H <sub>2</sub>	S	B	N	N <sub>1</sub>		
				C <sub>r</sub>	C <sub>0r</sub>	mm	mm	mm	mm	mm	mm	mm	mm	mm	mm		
mm	in			kN lbf	kN lbf	mm in.	mm in.	mm in.	mm in.	mm in.	mm in.	mm in.	mm in.	mm in.	mm in.	mm in.	kg lbs
	1 ½	SUCPLP208-24/F	SUC208-24/F	24.8 5575	14.3 3215	49.2 1.937	184 7.244	54 2.126	19.5 0.768	137 5.394	101 3.976	19 0.748	49.2 1.937	14 0.551	18 0.709	M12 ½	0.97 2.2
	1 ¾	SUCPLP208-25/F	SUC208-25/F														
<b>40</b>		<b>SUCPLP208/F</b>	<b>SUC208/F</b>														
	1 ⅝	SUCPLP209-26/F	SUC209-26/F	27.8 6250	16.2 3642	54 2.126	192 7.559	54 2.126	23 0.906	146 5.748	106 4.173	19 0.748	49.2 1.937	17 0.669	20 0.787	M14 ¾	1.10 2.4
	1 ⅞	SUCPLP209-27/F	SUC209-27/F														
<b>45</b>		<b>SUCPLP209/F</b>	<b>SUC209/F</b>														
	1 ⅞	SUCPLP210-30/F	SUC210-30/F	29.8 6699	18.6 4181	57.2 2.252	206 8.110	60 2.362	23 0.906	159 6.260	114 4.488	19 0.748	51.6 2.031	17 0.669	20 0.787	M14 ¾	1.30 2.9
	1 ⅞	SUCPLP210-31/F	SUC210-31/F														
<b>50</b>		<b>SUCPLP210/F</b>	<b>SUC210/F</b>														
	2	SUCPLP210-32/F	SUC210-32/F														

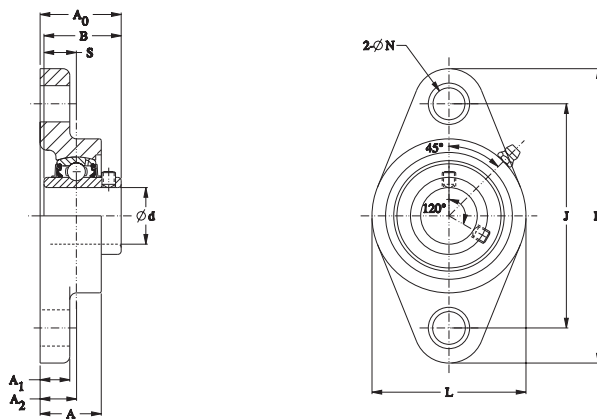
# WHITE POLYMER (THERMOPLASTIC) TWO-BOLT FLANGED MOUNTED BEARINGS



Shaft Dia. d		Two-Bolt Flange Designation	Bearing Designation	Basic Load Ratings		Dimensions										Bolt Size	Wt.	
				Dynamic	Static	H	J	A	A <sub>0</sub>	A <sub>1</sub>	A <sub>2</sub>	L	S	B	N			
				C <sub>r</sub>	C <sub>0r</sub>													
mm	in			kN lbf	kN lbf	mm in.	mm in.	mm in.	mm in.	mm in.	mm in.	mm in.	mm in.	mm in.	mm in.	mm in.	mm in.	kg lbs
20	3/4	SUCPLFL204-12/F	SUC204-12/F	10.9 2450	5.4 1203	113 4.449	90 3.543	27.0 1.063	33.3 1.311	13.4 0.528	15 0.591	65 2.559	12.7 0.500	31 1.220	11 0.433	M8 5/16	0.25 0.6	
		SUCPLFL204/F	SUC204/F															
25	7/8	SUCPLFL205-14/F	SUC205-14/F	11.9 2675	6.3 1416	131 5.157	99 3.898	28.2 1.110	35.8 1.409	13.8 0.543	16 0.630	70 2.756	14.3 0.563	34.1 1.343	11 0.433	M8 5/16	0.31 0.7	
		SUCPLFL205-15/F	SUC205-15/F															
		SUCPLFL205-16/F	SUC205-16/F															
		SUCPLFL205/F	SUC205/F															
30	1 1/8	SUCPLFL206-18/F	SUC206-18/F	16.5 3709	9.1 2035	148 5.827	117 4.606	31.0 1.220	40.2 1.583	14.3 0.563	18 0.709	80 3.150	15.9 0.626	38.1 1.500	11 0.433	M8 5/16	0.46 1.0	
		SUCPLFL206-19/F	SUC206-19/F															
		SUCPLFL206-20/F	SUC206-20/F															
		SUCPLFL206/F	SUC206/F															
35	1 1/4	SUCPLFL207-20/F	SUC207-20/F	21.8 4901	12.3 2765	164 6.457	130 5.118	32.7 1.287	44.4 1.748	15.5 0.610	19 0.748	90 3.543	17.5 0.689	42.9 1.689	13 0.512	M10 3/8	0.65 1.4	
		SUCPLFL207-21/F	SUC207-21/F															
		SUCPLFL207-22/F	SUC207-22/F															
		SUCPLFL207-23/F	SUC207-23/F															
		SUCPLFL207/F	SUC207/F															
40	1 1/2	SUCPLFL208-24/F	SUC208-24/F	24.8 5575	14.3 3215	176 6.929	144 5.669	35.2 1.386	51.2 2.016	16.5 0.650	21 0.827	100 3.937	19 0.748	49.2 1.937	14 0.551	M12 1/2	0.85 1.9	
		SUCPLFL208-25/F	SUC208-25/F															
	1 5/8	SUCPLFL208/F	SUC208/F															

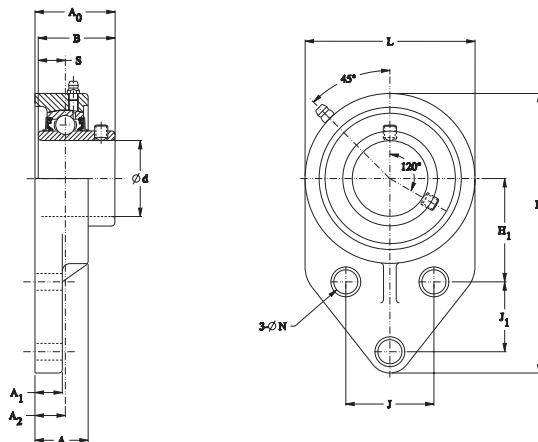
# WHITE POLYMER (THERMOPLASTIC) HOUSING WITH STAINLESS STEEL BALL BEARING INSERTS

## WHITE POLYMER (THERMOPLASTIC) TWO-BOLT FLANGED MOUNTED BEARINGS



Shaft Dia. d		Two-Bolt Flange Designation	Bearing Designation	Basic Load Ratings		Dimensions										Bolt Size	Wt.
				Dynamic	Static	H	J	A	A <sub>0</sub>	A <sub>1</sub>	A <sub>2</sub>	L	S	B	N		
				C <sub>r</sub>	C <sub>0r</sub>	mm in.	mm in.	mm in.	mm in.	mm in.	mm in.	mm in.	mm in.	mm in.	mm in.		
<b>45</b>	1 5/8	SUCPLFL209-26/F	SUC209-26/F	27.8 6250	16.2 3642	189 7.441	148.5 5.846	41.0 1.614	54.2 2.134	21 0.827	24 0.945	108 4.252	19 0.748	49.2 1.937	17 0.669	M14 %	0.98 2.2
	1 1/4	SUCPLFL209-27/F	SUC209-27/F														
	1 3/4	SUCPLFL209-28/F	SUC209-28/F														
<b>50</b>	1 7/8	SUCPLFL210-30/F	SUC210-30/F	29.8 6699	18.6 4181	197 7.756	157 6.181	43.0 1.693	57.6 2.268	21 0.827	25 0.984	115 4.528	19 0.748	51.6 2.031	17 0.669	M14 %	1.18 2.6
	1 1/2	SUCPLFL210-31/F	SUC210-31/F														
	2	SUCPLFL210-32/F	SUC210-32/F														

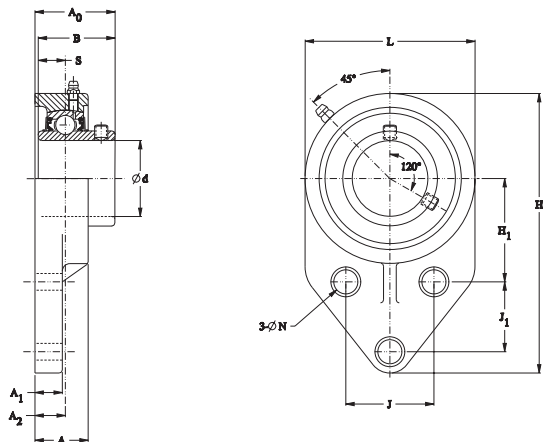
### WHITE POLYMER (THERMOPLASTIC) THREE-BOLT FLANGED MOUNTED BEARINGS



Shaft Dia. d		Three-Bolt Flange Designation	Bearing Designation	Basic Load Ratings		Dimensions											Bolt Size	Wt.		
				Dynamic	Static	H	H <sub>1</sub>	J	J <sub>1</sub>	L	A	A <sub>0</sub>	A <sub>1</sub>	A <sub>2</sub>	S	B			N	
				C <sub>r</sub>	C <sub>0r</sub>	mm	mm	mm	mm	mm	mm	mm	mm	mm	mm	mm			mm	mm
mm	in			kN lbf	kN lbf	mm in.	mm in.	mm in.	mm in.	mm in.	mm in.	mm in.	mm in.	mm in.	mm in.	mm in.	mm in.	mm in.	kg lbs	
20	¾	SUCPLFB204-12/F	SUC204-12/F	10.9 2450	5.4 1203	108 4.252	42.9 1.689	38.1 1.500	22.2 0.874	63.5 2.500	26.1 1.028	33.7 1.327	11.4 0.449	15.4 0.606	12.7 0.500	31 1.220	11 0.433	M8 ⅝	0.27 0.6	
			SUCPLFB204/F																	SUC204/F
25	7/8	SUCPLFB205-14/F	SUC205-14/F	11.9 2675	6.3 1416	121 4.764	46 1.811	41.3 1.626	28.6 1.126	70 2.756	34.1 1.343	41.3 1.626	11.4 0.449	21.5 0.846	14.3 0.563	34.1 1.343	11 0.433	M8 ⅝	0.38 0.8	
			SUCPLFB205-15/F																	SUC205-15/F
		1	SUCPLFB205-16/F																	SUC205-16/F
			SUCPLFB205/F																	SUC205/F
30	1 ⅛	SUCPLFB206-18/F	SUC206-18/F	16.5 3709	9.1 2035	138.5 5.453	52.4 2.063	47.6 1.874	31.8 1.252	83 3.268	32.3 1.272	41.5 1.634	13.3 0.524	19.3 0.760	15.9 0.626	38.1 1.500	11 0.433	M8 ⅝	0.52 1.1	
			SUCPLFB206/F																	SUC206/F
		1 ¾	SUCPLFB206-19/F																	SUC206-19/F
		1 ¼	SUCPLFB206-20/F																	SUC206-20/F

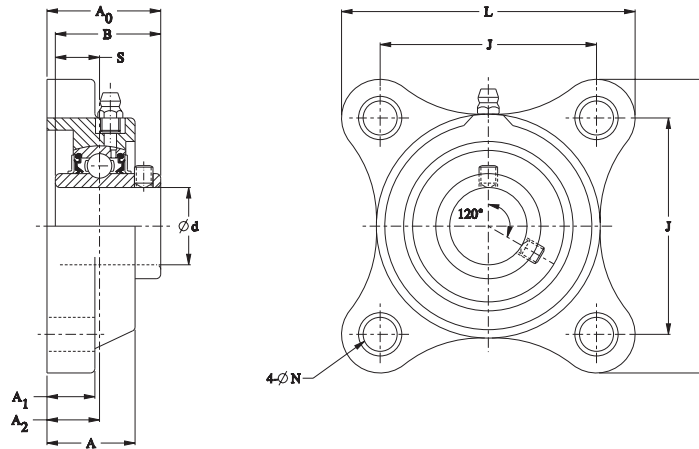
# WHITE POLYMER (THERMOPLASTIC) HOUSING WITH STAINLESS STEEL BALL BEARING INSERTS

## WHITE POLYMER (THERMOPLASTIC) THREE-BOLT FLANGED MOUNTED BEARINGS

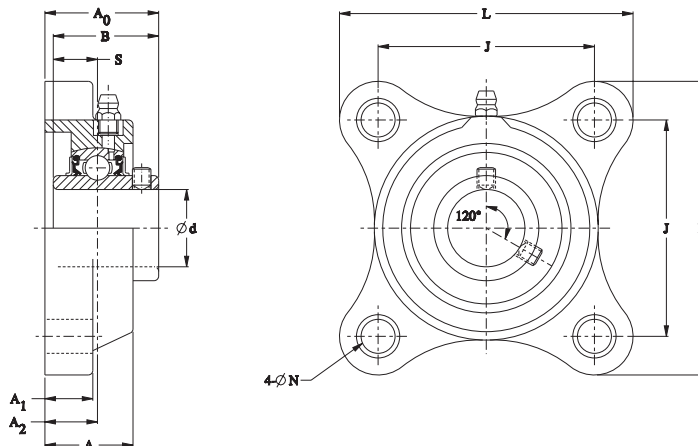


Shaft Dia. d		Three-Bolt Flange Designation	Bearing Designation	Basic Load Ratings		Dimensions											Bolt Size	Wt.		
				Dynamic	Static	H	H <sub>1</sub>	J	J <sub>1</sub>	L	A	A <sub>0</sub>	A <sub>1</sub>	A <sub>2</sub>	S	B			N	
				C <sub>r</sub>	C <sub>0r</sub>	mm in.	mm in.	mm in.	mm in.	mm in.	mm in.	mm in.	mm in.	mm in.	mm in.	mm in.			mm in.	mm in.
mm	in			kN lbf	kN lbf	mm in.	mm in.	mm in.	mm in.	mm in.	mm in.	mm in.	mm in.	mm in.	mm in.	mm in.	mm in.	mm in.		
	1 ¼	SUCPLFB207-20/F	SUC207-20/F	21.8 4901	12.3 2765	157 6.181	60.3 2.374	50.8 2.000	31.8 1.252	95 3.740	36.5 1.437	47.1 1.854	16 0.630	21.7 0.854	17.5 0.689	42.9 1.689	13 0.512	M10 ¾	0.71 1.6	
	1 ⅝	SUCPLFB207-21/F	SUC207-21/F																	
	1 ¾	SUCPLFB207-22/F	SUC207-22/F																	
<b>35</b>		<b>SUCPLFB207/F</b>	<b>SUC207/F</b>																	
	1 ⅞	SUCPLFB207-23/F	SUC207-23/F																	

**WHITE POLYMER (THERMOPLASTIC) FOUR-BOLT FLANGED MOUNTED BEARINGS**



Shaft Dia. d		Four-Bolt Flange Designation	Bearing Designation	Basic Load Ratings		Dimensions									Bolt Size	Wt.	
				Dynamic	Static	L	J	A	A <sub>0</sub>	A <sub>1</sub>	A <sub>2</sub>	S	B	N			
				C <sub>r</sub>	C <sub>0r</sub>												
mm	in			kN lbf	kN lbf	mm in.	mm in.	mm in.	mm in.	mm in.	mm in.	mm in.	mm in.	mm in.	mm in.	mm in.	kg lbs
20	3/4	SUCPLF204-12/F	SUC204-12/F	10.9 2450	5.4 1203	86 3.386	63.5 2.500	28.5 1.122	36.3 1.429	13.4 0.528	18 0.709	12.7 0.500	31 1.220	11 0.433	M8 5/16	0.27 0.6	
		SUCPLF204/F	SUC204/F														
25	7/8	SUCPLF205-14/F	SUC205-14/F	11.9 2675	6.3 1416	95 3.740	70 2.756	29.2 1.150	36.8 1.449	15.5 0.610	17 0.669	14.3 0.563	34.1 1.343	11 0.433	M8 5/16	0.38 0.8	
		SUCPLF205-15/F	SUC205-15/F														
		SUCPLF205-16/F	SUC205-16/F														
		SUCPLF205/F	SUC205/F														
30	1	SUCPLF206-18/F	SUC206-18/F	16.5 3709	9.1 2035	107 4.213	83 3.268	32.2 32.2	41.4 1.630	14.5 0.571	19.2 0.756	15.9 0.626	38.1 1.500	11 0.433	M8 5/16	0.52 1.1	
		SUCPLF206-19/F	SUC206-19/F														
		SUCPLF206-20/F	SUC206-20/F														
		SUCPLF206/F	SUC206/F														
35	1 1/4	SUCPLF207-20/F	SUC207-20/F	21.8 4901	12.3 2765	118 4.646	92 3.622	35.2 1.386	46.9 1.846	15.5 0.610	21.5 0.846	17.5 0.689	42.9 1.689	13 0.512	M10 3/8	0.71 1.6	
		SUCPLF207-21/F	SUC207-21/F														
		SUCPLF207-22/F	SUC207-22/F														
		SUCPLF207/F	SUC207/F														
	1 1/8	SUCPLF207-23/F	SUC207-23/F														



Shaft Dia. d		Four-Bolt Flange Designation	Bearing Designation	Basic Load Ratings		Dimensions									Bolt Size	Wt.
				Dynamic	Static	L	J	A	A <sub>0</sub>	A <sub>1</sub>	A <sub>2</sub>	S	B	N		
				C <sub>r</sub>	C <sub>0r</sub>											
mm	in			kN lbf	kN lbf	mm in.	mm in.	mm in.	mm in.	mm in.	mm in.	mm in.	mm in.	mm in.	mm in.	
	1 ½	SUCPLF208-24/F	SUC208-24/F													
	1 ⅝	SUCPLF208-25/F	SUC208-25/F	<b>24.8</b> 5575	<b>14.3</b> 3215	<b>130</b> 5.118	<b>102</b> 4.016	<b>37.2</b> 1.465	<b>53.2</b> 2.094	<b>17</b> 0.669	<b>23</b> 0.906	<b>19</b> 0.748	<b>49.2</b> 1.937	<b>14</b> 0.551	<b>M12</b> ½	<b>0.94</b> 2.1
<b>40</b>		<b>SUCPLF208/F</b>	<b>SUC208/F</b>													
	1 ⅞	SUCPLF209-26/F	SUC209-26/F													
	1 ⅞	SUCPLF209-27/F	SUC209-27/F	<b>27.8</b> 6250	<b>16.2</b> 3642	<b>137</b> 5.394	<b>105</b> 4.134	<b>41</b> 1.614	<b>54.2</b> 2.134	<b>19</b> 0.748	<b>24</b> 0.945	<b>19</b> 0.748	<b>49.2</b> 1.937	<b>17</b> 0.669	<b>M14</b> ⅝	<b>1.10</b> 2.4
<b>45</b>		<b>SUCPLF209/F</b>	<b>SUC209/F</b>													
	1 ⅞	SUCPLF210-30/F	SUC210-30/F													
	1 ⅞	SUCPLF210-31/F	SUC210-31/F	<b>29.8</b> 6699	<b>18.6</b> 4181	<b>143</b> 5.630	<b>111</b> 4.370	<b>43</b> 1.693	<b>57.6</b> 2.268	<b>21</b> 0.827	<b>25</b> 0.984	<b>19</b> 0.748	<b>51.6</b> 2.031	<b>17</b> 0.669	<b>M14</b> ⅝	<b>1.28</b> 2.8
<b>50</b>		<b>SUCPLF210/F</b>	<b>SUC210/F</b>													
	2	SUCPLF210-32/F	SUC210-32/F													







***HYGIENIC BLUE POLYMER  
(THERMOSET) HOUSING WITH  
STAINLESS STEEL BALL  
BEARING INSERTS***

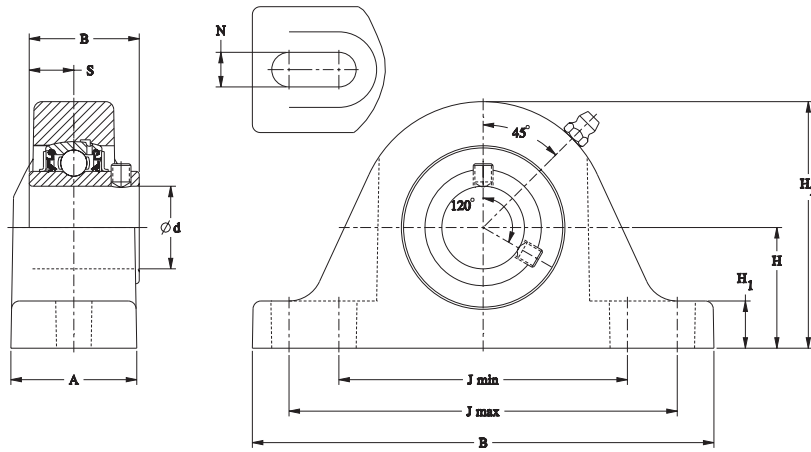
The following topics are covered within this section:

Hygienic Blue Polymer (Thermoset) Pillow Block Mounted Bearings . . . . .	32
Hygienic Blue Polymer (Thermoset) Two-Bolt Flanged Mounted Bearings . . . . .	34
Hygienic Blue Polymer (Thermoset) Two-Bolt Flanged Mounted Bearings with QuiKlean . . . . .	36
Hygienic Blue Polymer (Thermoset) Three-Bolt Flanged Mounted Bearings . . . . .	38
Hygienic Blue Polymer (Thermoset) Three-Bolt Flanged Mounted Bearings with QuiKlean . . . . .	40
Hygienic Blue Polymer (Thermoset) Four-Bolt Flanged Mounted Bearings . . . . .	42
Hygienic Blue Polymer (Thermoset) Four-Bolt Flanged Mounted Bearings with QuiKlean . . . . .	44
Hygienic Blue Polymer (Thermoset) Piloted Round Flanged Mounted Bearings . . . . .	46
Hygienic Blue Polymer (Thermoset) Tapped-Base (Imperial Thread) Mounted Bearings . . . . .	48
Hygienic Blue Polymer (Thermoset) Tapped-Base (Metric Thread) Mounted Bearings . . . . .	50
Hygienic Blue Polymer (Thermoset) Take-Up Mounted Bearings . . . . .	52



### HYGIENIC BLUE POLYMER (THERMOSET) PILLOW BLOCK MOUNTED BEARINGS

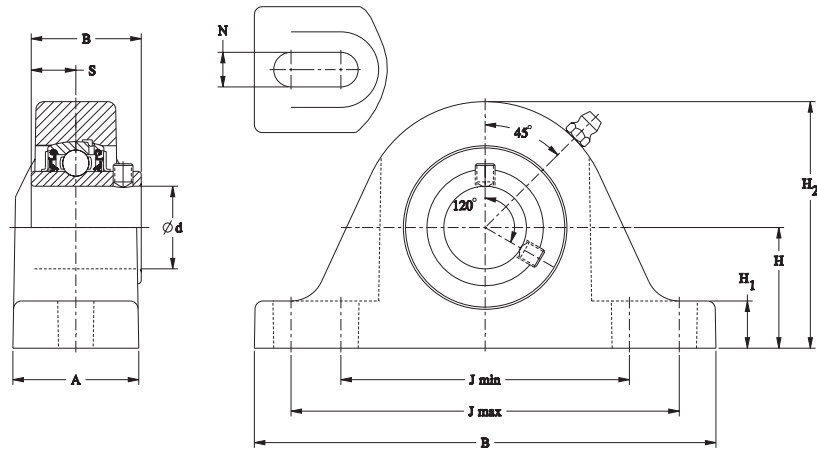
These units can be ordered with IP69K rated seal. No lubrication hole and no grease fitting with IP69K.



Shaft Dia. d		Pillow Block Designation	Bearing Designation	Basic Load Ratings		Dimensions										Bolt Size	Wt.	
				Dynamic	Static	H	L	A	J min	J max	H <sub>1</sub>	H <sub>2</sub>	B	S	N			
				C <sub>r</sub>	C <sub>0r</sub>	mm	mm	mm	mm	mm	mm	mm	mm	mm	mm			mm
mm	in			kN	kN	mm	mm	mm	mm	mm	mm	mm	mm	mm	mm	mm	mm	kg
	¾	SUCBP204-12/F	SUC204-12/F	<b>10.9</b>	<b>5.4</b>	<b>33.3</b>	<b>133.4</b>	<b>35.1</b>	<b>82.6</b>	<b>111.3</b>	<b>12.7</b>	<b>68.3</b>	<b>31.0</b>	<b>12.7</b>	<b>10.5</b>	<b>M10</b>	<b>0.3</b>	
<b>20</b>		<b>SUCBP204/F</b>	<b>SUC204/F</b>	2450	1203	1.313	5.250	1.376	3.250	4.375	0.500	2.689	1.220	0.500	0.413	⅜	0.7	
	⅞	SUCBP205-14/F	SUC205-14/F	<b>11.9</b>	<b>6.3</b>	<b>36.5</b>	<b>139.7</b>	<b>38.1</b>	<b>87.4</b>	<b>117.6</b>	<b>14.2</b>	<b>74.6</b>	<b>34.1</b>	<b>14.3</b>	<b>10.5</b>	<b>M10</b>	<b>0.4</b>	
	1⅙	SUCBP205-15/F	SUC205-15/F															
	1	SUCBP205-16/F	SUC205-16/F															
<b>25</b>		<b>SUCBP205/F</b>	<b>SUC205/F</b>	2675	1416	1.438	5.500	1.500	3.438	4.625	0.563	2.937	1.343	0.563	0.412	⅜	0.9	
	1⅛	SUCBP206-18/F	SUC206-18/F	<b>16.5</b>	<b>9.1</b>	<b>42.9</b>	<b>158.8</b>	<b>44.5</b>	<b>104.9</b>	<b>130.3</b>	<b>17.5</b>	<b>85.9</b>	<b>38.1</b>	<b>15.9</b>	<b>13.5</b>	<b>M12</b>	<b>0.6</b>	
<b>30</b>		<b>SUCBP206/F</b>	<b>SUC206/F</b>															
	1⅜	SUCBP206-19/F	SUC206-19/F															
	1¼	SUCBP206-20/F	SUC206-20/F	3709	2035	1.688	6.248	1.750	4.126	5.125	0.688	3.376	1.500	0.626	0.531	½	1.3	
	1¼	SUCBP207-20/F	SUC207-20/F	<b>21.8</b>	<b>12.3</b>	<b>47.6</b>	<b>166.6</b>	<b>44.5</b>	<b>119.1</b>	<b>138.2</b>	<b>17.5</b>	<b>98.6</b>	<b>42.9</b>	<b>17.5</b>	<b>13.5</b>	<b>M12</b>	<b>0.9</b>	
	1⅝	SUCBP207-21/F	SUC207-21/F															
	1⅝	SUCBP207-22/F	SUC207-22/F															
<b>35</b>		<b>SUCBP207/F</b>	<b>SUC207/F</b>															
	1⅞	SUCBP207-23/F	SUC207-23/F	4901	2765	1.875	6.564	1.752	4.688	5.438	0.688	3.875	1.689	0.689	0.531	½	1.9	



These units can be ordered with IP69K rated seal. No lubrication hole and no grease fitting with IP69K.

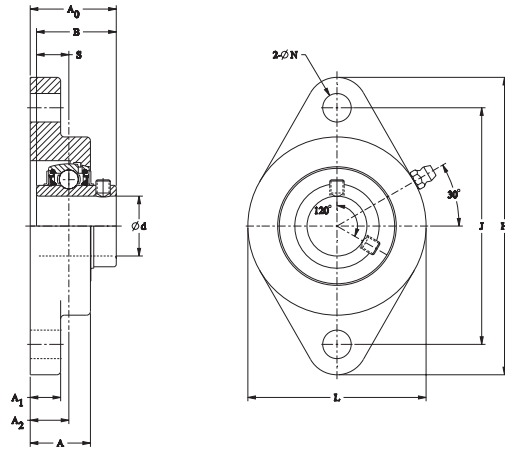


Shaft Dia. d		Pillow Block Designation	Bearing Designation	Basic Load Ratings		Dimensions										Bolt Size	Wt.	
				Dynamic	Static	H	L	A	J min	J max	H <sub>1</sub>	H <sub>2</sub>	B	S	N			
				C <sub>r</sub>	C <sub>0r</sub>	mm	mm	mm	mm	mm	mm	mm	mm	mm	mm			mm
mm	in			kN lbf	kN lbf	mm in.	mm in.	mm in.	mm in.	mm in.	mm in.	mm in.	mm in.	mm in.	mm in.	mm in.	mm in.	kg lbs
	1 1/2	SUCBP208-24/F	SUC208-24/F	24.8 5575	14.3 3215	54.0 2.125	184.2 7.252	49.3 1.938	127.0 5.000	155.7 6.126	19.1 0.750	109.5 4.310	49.2 1.937	19.0 0.748	13.5 0.531	M12 1/2	1.1 2.4	
	1 5/8	SUCBP208-25/F	SUC208-25/F															
<b>40</b>		<b>SUCBP208/F</b>	<b>SUC208/F</b>															
	1 3/8	SUCBP209-26/F	SUC209-26/F	27.8 6250	16.2 3642	54.0 2.125	189.0 7.438	50.8 2.000	134.9 5.313	160.3 6.311	19.1 0.752	111.3 4.380	49.2 1.937	19.0 0.748	13.5 0.531	M12 1/2	1.2 2.6	
	1 11/16	SUCBP209-27/F	SUC209-27/F															
	1 3/4	SUCBP209-28/F	SUC209-28/F															
<b>45</b>		<b>SUCBP209/F</b>	<b>SUC209/F</b>															
	1 7/8	SUCBP210-30/F	SUC210-30/F	29.8 6699	18.6 4181	57.2 2.250	206.5 8.125	57.2 2.252	149.2 5.875	171.5 6.752	19.1 0.752	117.6 4.625	51.6 2.031	19.0 0.748	16.7 0.656	M16 3/8	1.5 3.3	
	1 15/16	SUCBP210-31/F	SUC210-31/F															
<b>50</b>		<b>SUCBP210/F</b>	<b>SUC210/F</b>															
	2	SUCBP210-32/F	SUC210-32/F															



### HYGIENIC BLUE POLYMER (THERMOSET) TWO-BOLT FLANGED MOUNTED BEARINGS

These units can be ordered with IP69K rated seal and/or QuiKlean housing type. No lubrication hole and no grease fitting with IP69K.



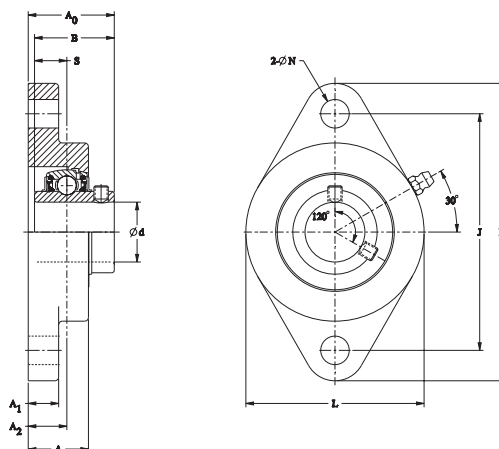
Shaft Dia. d		Two-Bolt Flange Designation	Bearing Designation	Basic Load Ratings		Dimensions										Bolt Size	Wt.
				Dynamic	Static	H	J	A	A <sub>0</sub>	A <sub>1</sub>	A <sub>2</sub>	L	S	B	N		
				C <sub>r</sub>	C <sub>0r</sub>	mm in.	mm in.	mm in.	mm in.	mm in.	mm in.	mm in.	mm in.	mm in.	mm in.		
20	¾	SUCBFL204-12/F	SUC204-12/F	10.9 2450	5.4 1203	112.0 4.407	89.7 3.532	24.1 0.950	33.4 1.315	11.2 0.438	15.1 0.594	68.3 2.690	12.7 0.500	31.0 1.220	10.3 0.406	M10 ⅜	0.3 0.6
		<b>SUCBFL204/F</b>	<b>SUC204/F</b>														
25	7/8	SUCBFL205-14/F	SUC205-14/F	11.9 2675	6.3 1416	121.2 4.770	98.8 3.890	25.1 0.990	36.4 1.433	12.7 0.500	16.6 0.654	74.4 2.930	14.3 0.563	34.1 1.343	11.9 0.469	M10 ⅜	0.3 0.7
	1 1/16	SUCBFL205-15/F	SUC205-15/F														
	1	SUCBFL205-16/F	SUC205-16/F														
		<b>SUCBFL205/F</b>	<b>SUC205/F</b>														
30	1 1/8	SUCBFL206-18/F	SUC206-18/F	16.5 3709	9.1 2035	145.3 5.720	116.7 4.594	27.2 1.067	38.9 1.531	12.7 0.500	16.7 0.657	92.1 3.625	15.9 0.626	38.1 1.500	11.9 0.469	M10 ⅜	0.5 1.1
		<b>SUCBFL206/F</b>	<b>SUC206/F</b>														
	1 3/16	SUCBFL206-19/F	SUC206-19/F														
	1 1/4	SUCBFL206-20/F	SUC206-20/F														
35	1 1/4	SUCBFL207-20/F	SUC207-20/F	21.8 4901	12.3 2765	158.8 6.250	130.2 5.125	31.0 1.223	45.5 1.791	14.2 0.563	20.1 0.791	101.6 4.000	17.5 0.689	42.9 1.689	13.5 0.531	M12 ½	0.7 1.6
	1 5/8	SUCBFL207-21/F	SUC207-21/F														
		1 3/8	SUCBFL207-22/F	SUC207-22/F													
		<b>SUCBFL207/F</b>	<b>SUC207/F</b>														
	1 7/8	SUCBFL207-23/F	SUC207-23/F														

# HYGIENIC BLUE POLYMER (THERMOSET) HOUSING WITH STAINLESS STEEL BALL BEARING INSERTS

## HYGIENIC BLUE POLYMER (THERMOSET) TWO-BOLT FLANGED MOUNTED BEARINGS



These units can be ordered with IP69K rated seal and/or QuiKlean housing type. No lubrication hole and no grease fitting with IP69K.

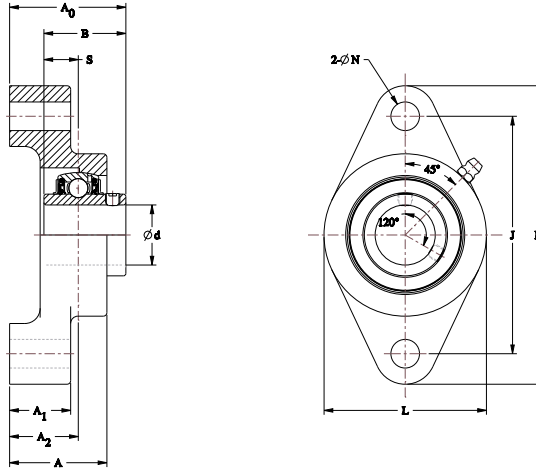


Shaft Dia. d		Two-Bolt Flange Designation	Bearing Designation	Basic Load Ratings		Dimensions										Bolt Size	Wt.
				Dynamic	Static	H	J	A	A <sub>0</sub>	A <sub>1</sub>	A <sub>2</sub>	L	S	B	N		
				C <sub>r</sub>	C <sub>0r</sub>	mm in.	mm in.	mm in.	mm in.	mm in.	mm in.	mm in.	mm in.	mm in.	mm in.		
40	1 ½	SUCBFL208-24/F	SUC208-24/F	24.8 5575	14.3 3215	172.2 6.781	143.8 5.656	31.5 1.240	49.7 1.957	14.2 0.563	19.5 0.768	115.8 4.560	19.0 0.748	49.2 1.937	13.5 0.531	M12 ½	1.0 2.1
	1 ¾	SUCBFL208-25/F	SUC208-25/F														
		<b>SUCBFL208/F</b>	<b>SUC208/F</b>														
45	1 ⅝	SUCBFL209-26/F	SUC209-26/F	27.8 6250	16.2 3642	177.0 6.969	148.4 5.844	31.5 1.240	49.6 1.953	15.9 0.625	19.4 0.764	120.4 4.740	19.0 0.748	49.2 1.937	13.5 0.531	M12 ½	1.0 2.3
	1 ¾	SUCBFL209-27/F	SUC209-27/F														
	1 ¾	SUCBFL209-28/F	SUC209-28/F														
		<b>SUCBFL209/F</b>	<b>SUC209/F</b>														
50	1 ¾	SUCBFL210-30/F	SUC210-30/F	29.8 6699	18.6 4181	185.7 7.313	157.2 6.188	31.5 1.240	52.2 2.055	15.9 0.625	19.6 0.772	128.5 5.060	19.0 0.748	51.6 2.031	13.5 0.531	M12 ½	1.2 2.6
	1 ¾	SUCBFL210-31/F	SUC210-31/F														
		<b>SUCBFL210/F</b>	<b>SUC210/F</b>														
	2	SUCBFL210-32/F	SUC210-32/F														



### HYGIENIC BLUE POLYMER (THERMOSET) TWO-BOLT FLANGED MOUNTED BEARINGS WITH QUIKLEAN

These units can be ordered with IP69K rated seal and/or QuiKlean housing type. No lubrication hole and no grease fitting with IP69K.



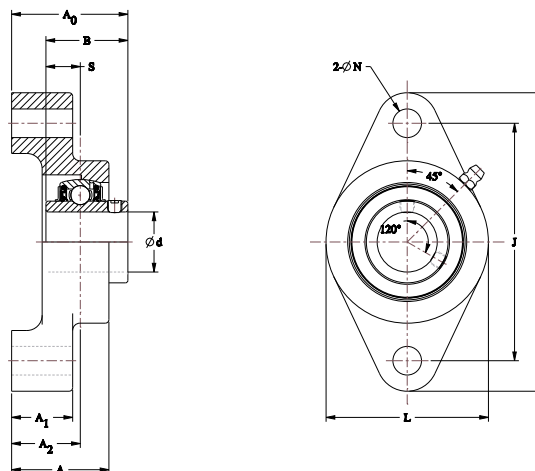
Shaft Dia. d		Two-Bolt Flange Designation	Bearing Designation	Dimensions										Bolt Size	Wt.
				H	J	A	A <sub>0</sub>	A <sub>1</sub>	A <sub>2</sub>	L	S	B	N		
mm	in.			mm in.	mm in.	mm in.	mm in.	mm in.	mm in.	mm in.	mm in.	mm in.	mm in.	mm in.	kg lbs.
20	¾	SUCBFLQK204-12/F	SUC204-12/F	112 4.407	89.7 3.532	39.7 1.563	49.3 1.940	26.9 0.438	31 1.220	68.3 2.690	12.7 0.500	31.0 1.220	10.3 0.406	M10 3/8	0.3 0.6
		SUCBFLQK204/F	SUC204/F												
25	7/8	SUCBFLQK205-14/F	SUC205-14/F	121.2 4.770	98.8 3.890	41.2 1.622	51.8 2.040	28.6 1.126	32 1.260	74.4 2.930	14.3 0.563	34.1 1.343	11.9 0.469	M10 7/16	0.3 0.7
	1 ¼	SUCBFLQK205-15/F	SUC205-15/F												
		SUCBFLQK205/F	SUC205/F												
30	1	SUCBFLQK205-16/F	SUC205-16/F	145.3 5.720	116.7 4.594	42.8 1.685	54.8 2.157	28.6 0.438	32.6 1.283	92.1 3.625	15.9 0.626	38.1 1.500	11.9 0.469	M10 7/16	0.4 1.0
	1 ½	SUCBFLQK206-18/F	SUC206-18/F												
		SUCBFLQK206/F	SUC206/F												
	1 ¾	SUCBFLQK206-19/F	SUC206-19/F												
	1 ¼	SUCBFLQK206-20/F	SUC206-20/F												

# HYGIENIC BLUE POLYMER (THERMOSET) HOUSING WITH STAINLESS STEEL BALL BEARING INSERTS

## HYGIENIC BLUE POLYMER (THERMOSET) TWO-BOLT FLANGED MOUNTED BEARINGS WITH QUIKLEAN



These units can be ordered with IP69K rated seal and/or QuiKlean housing type. No lubrication hole and no grease fitting with IP69K.

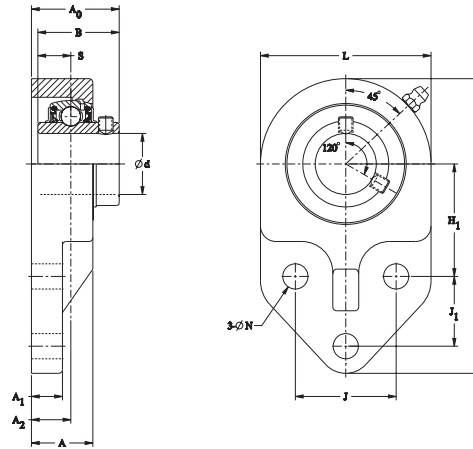


Shaft Dia. d		Two-Bolt Flange Designation	Bearing Designation	Dimensions										Bolt Size	Wt.
				H	J	A	A <sub>0</sub>	A <sub>1</sub>	A <sub>2</sub>	L	S	B	N		
mm	in.														
	1 ¼	SUCBFLQK207-20/F	SUC207-20/F	158.8 6.250	130 5.125	46.8 1.843	61.4 2.417	30.2 1.189	36 1.417	101.6 4.000	17.5 0.689	42.9 1.689	13.5 0.531	M12 1/2	0.6 1.4
	1 ⅝	SUCBFLQK207-21/F	SUC207-21/F												
	1 ¾	SUCBFLQK207-22/F	SUC207-22/F												
<b>35</b>		<b>SUCBFLQK207/F</b>	<b>SUC207/F</b>												
	1 ⅞	SUCBFLQK207-23/F	SUC207-23/F	172.2 6.781	143.8 5.656	42.8 1.685	65.6 2.583	30.2 0.438	35.4 1.394	115.8 4.560	19.0 0.748	49.2 1.937	13.5 0.531	M12 1/2	0.9 1.9
	1 ½	SUCBFLQK208-24/F	SUC208-24/F												
	1 ⅞	SUCBFLQK208-25/F	SUC208-25/F												
<b>40</b>		<b>SUCBFLQK208/F</b>	<b>SUC208/F</b>												



### HYGIENIC BLUE POLYMER (THERMOSET) THREE-BOLT FLANGED MOUNTED BEARINGS

These units can be ordered with IP69K rated seal and/or QuiKlean housing type. No lubrication hole and no grease fitting with IP69K.



Shaft Dia. d		Three-Bolt Flange Designation	Bearing Designation	Basic Load Ratings		Dimensions											Bolt Size	Wt.		
				Dynamic	Static	H	H <sub>1</sub>	J	J <sub>1</sub>	L	A	A <sub>0</sub>	A <sub>1</sub>	A <sub>2</sub>	S	B			N	
				C <sub>r</sub>	C <sub>0r</sub>	mm	mm	mm	mm	mm	mm	mm	mm	mm	mm	mm			mm	mm
mm	in			kN lbf	kN lbf	mm in.	mm in.	mm in.	mm in.	mm in.	mm in.	mm in.	mm in.	mm in.	mm in.	mm in.	mm in.	mm in.	mm in.	kg lbs
20	3/4	SUCBFB204-12/F	SUC204-12/F	10.9 2450	5.4 1203	110.2 4.340	42.7 1.680	38.1 1.500	22.4 0.875	65.0 2.560	24.1 0.950	33.4 1.315	11.1 0.438	15.1 0.594	12.7 0.500	31.0 1.220	10.3 0.406	M10 3/8	0.3 0.6	
			SUCBFB204/F																	SUC204/F
25	7/8	SUCBFB205-14/F	SUC205-14/F	11.9 2675	6.3 1416	120.7 4.750	46.0 1.813	41.4 1.625	28.4 1.120	69.9 2.750	25.1 0.990	35.9 1.413	12.7 0.500	16.1 0.634	14.3 0.563	34.1 1.343	10.3 0.406	M10 3/8	0.4 0.8	
			SUCBFB205-15/F																	SUC205-15/F
			SUCBFB205-16/F																	SUC205-16/F
			SUCBFB205/F																	SUC205/F
30	1 1/8	SUCBFB206-18/F	SUC206-18/F	16.5 3709	9.1 2035	138.2 5.435	52.3 2.060	47.8 1.875	31.8 1.253	82.6 3.250	27.1 1.067	38.9 1.531	12.7 0.500	16.7 0.657	15.9 0.626	38.1 1.500	10.3 0.406	M10 3/8	0.5 1.2	
			SUCBFB206-19/F																	SUC206-19/F
			SUCBFB206-20/F																	SUC206-20/F
			SUCBFB206/F																	SUC206/F
35	1 1/4	SUCBFB207-20/F	SUC207-20/F	21.8 4901	12.3 2765	157.2 6.188	60.5 2.375	50.8 2.000	31.8 1.250	96.8 3.810	31.1 1.223	45.5 1.791	14.3 0.563	20.1 0.791	17.5 0.689	42.9 1.689	13.5 0.531	M12 1/2	0.8 1.7	
			SUCBFB207-21/F																	SUC207-21/F
			SUCBFB207-22/F																	SUC207-22/F
			SUCBFB207/F																	SUC207/F
			SUCBFB207-23/F																	SUC207-23/F

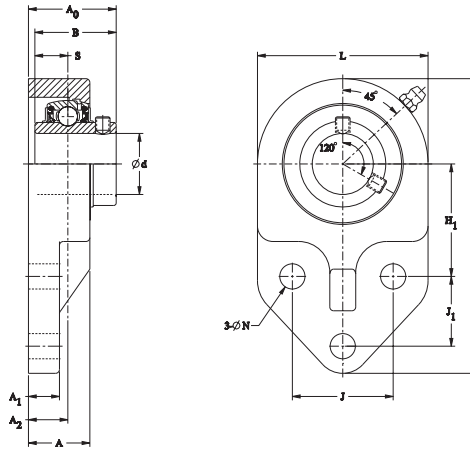


# HYGIENIC BLUE POLYMER (THERMOSET) HOUSING WITH STAINLESS STEEL BALL BEARING INSERTS

## HYGIENIC BLUE POLYMER (THERMOSET) THREE-BOLT FLANGED MOUNTED BEARINGS



These units can be ordered with IP69K rated seal and/or QuiKlean housing type. No lubrication hole and no grease fitting with IP69K.

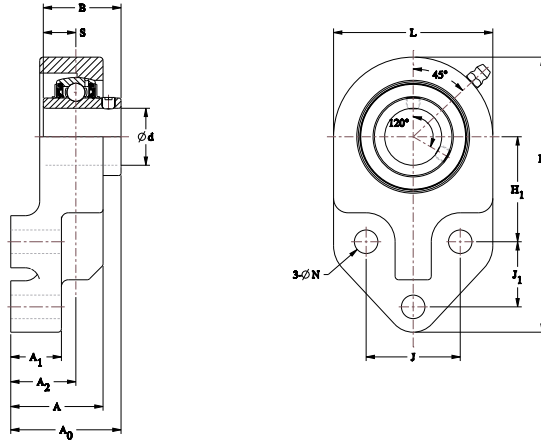


Shaft Dia. d		Three-Bolt Flange Designation	Bearing Designation	Basic Load Ratings		Dimensions												Bolt Size	Wt.	
				Dynamic	Static	H	H <sub>1</sub>	J	J <sub>1</sub>	L	A	A <sub>0</sub>	A <sub>1</sub>	A <sub>2</sub>	S	B	N			
				C <sub>r</sub>	C <sub>0r</sub>	mm	mm	mm	mm	mm	mm	mm	mm	mm	mm	mm	mm			mm
mm	in			kN lbf	kN lbf	mm in.	mm in.	mm in.	mm in.	mm in.	mm in.	mm in.	mm in.	mm in.	mm in.	mm in.	mm in.	mm in.	kg lbs	
	1 ½	SUCBFB208-24/F	SUC208-24/F	24.8 5575	14.3 3215	170.7 6.719	65.0 2.563	57.2 2.250	35.1 1.375	108.0 4.250	31.5 1.240	49.7 1.957	14.3 0.563	19.5 0.768	19.0 0.748	49.2 1.937	13.5 0.531	M12 ½	1.0 2.1	
	1 ⅝	SUCBFB208-25/F	SUC208-25/F																	
<b>40</b>		<b>SUCBFB208/F</b>	<b>SUC208/F</b>																	
	1 ⅝	SUCBFB209-26/F	SUC209-26/F	27.8 6250	16.2 3642	182.6 7.192	69.9 2.750	63.5 2.500	38.1 1.500	115.8 4.560	31.5 1.240	49.6 1.953	15.9 0.625	19.4 0.764	19.0 0.748	49.2 1.937	13.5 0.531	M12 ½	1.1 2.4	
	1 ⅞	SUCBFB209-27/F	SUC209-27/F																	
<b>45</b>		<b>SUCBFB209/F</b>	<b>SUC209/F</b>																	
	1 ⅞	SUCBFB210-30/F	SUC210-30/F	29.8 6699	18.6 4181	193.8 7.626	74.7 2.938	69.9 2.750	41.4 1.625	124.0 4.880	31.5 1.240	52.2 2.055	15.9 0.625	19.6 0.772	19.0 0.748	51.6 2.031	13.5 0.531	M12 ½	1.2 2.7	
	1 ⅞	SUCBFB210-31/F	SUC210-31/F																	
<b>50</b>		<b>SUCBFB210/F</b>	<b>SUC210/F</b>																	
	2	SUCBFB210-32/F	SUC210-32/F																	



### HYGIENIC BLUE POLYMER (THERMOSET) THREE-BOLT FLANGED MOUNTED BEARINGS WITH QUIKLEAN

These units can be ordered with IP69K rated seal and/or QuiKlean housing type. No lubrication hole and no grease fitting with IP69K.



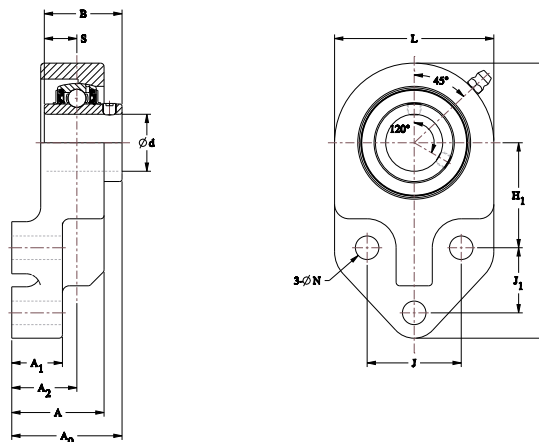
Shaft Dia. d		Three-Bolt Flange Designation	Bearing Designation	Dimensions											Bolt Size	Wt.		
				H	H <sub>1</sub>	J	J <sub>1</sub>	L	A	A <sub>0</sub>	A <sub>1</sub>	A <sub>2</sub>	S	B			N	
mm	in.																	
				mm in.	mm in.	mm in.	mm in.	mm in.	mm in.	mm in.	mm in.	mm in.	mm in.	mm in.	mm in.	mm in.	mm in.	kg lbs.
20	¾	SUCBFBQK204-12/F	SUC204-12/F	110.2 4.340	42.7 1.680	38.1 1.500	22.4 0.875	65.0 2.560	40.0 1.575	49.3 1.940	27.0 1.063	31.0 1.220	12.7 0.500	31.0 1.220	10.3 0.406	M10 3/8	0.3 0.6	
		SUCBFBQK204/F	SUC204/F															
25	7/8	SUCBFBQK205-14/F	SUC205-14/F	120.7 4.750	46.0 1.813	41.4 1.625	28.4 1.120	69.9 2.750	41.1 1.618	51.8 2.040	28.6 1.126	32.0 1.260	14.3 0.563	34.1 1.343	10.3 0.406	M10 3/8	0.3 0.7	
	1 ¼	SUCBFBQK205-15/F	SUC205-15/F															
		SUCBFBQK205/F	SUC205/F															
30	1	SUCBFBQK205-16/F	SUC205-16/F	138.2 5.435	52.3 2.060	47.8 1.875	31.8 1.253	82.6 3.250	43.0 1.693	54.8 2.157	28.6 1.126	32.6 1.283	15.9 0.626	38.1 1.500	10.3 0.406	M10 3/8	0.5 1.2	
	1 ½	SUCBFBQK206-18/F	SUC206-18/F															
		SUCBFBQK206/F	SUC206/F															
	1 ¾	SUCBFBQK206-19/F	SUC206-19/F															
	1 ¼	SUCBFBQK206-20/F	SUC206-20/F															

# HYGIENIC BLUE POLYMER (THERMOSET) HOUSING WITH STAINLESS STEEL BALL BEARING INSERTS

## HYGIENIC BLUE POLYMER (THERMOSET) THREE-BOLT FLANGED MOUNTED BEARINGS WITH QUIKLEAN



These units can be ordered with IP69K rated seal and/or QuiKlean housing type. No lubrication hole and no grease fitting with IP69K.

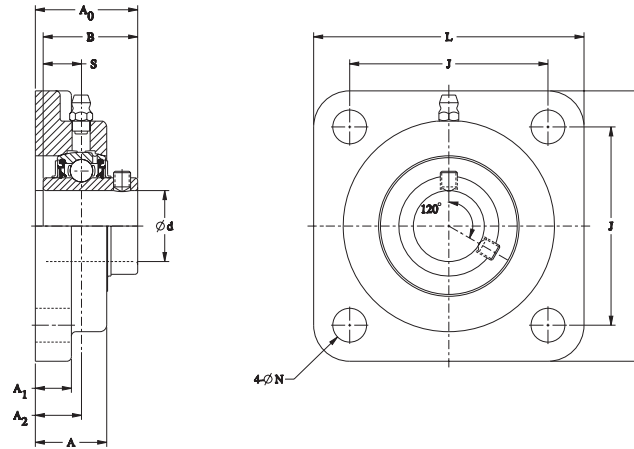


Shaft Dia. d	Three-Bolt Flange Designation	Bearing Designation	Dimensions													Bolt Size	Wt.	
			H	H <sub>1</sub>	J	J <sub>1</sub>	L	A	A <sub>0</sub>	A <sub>1</sub>	A <sub>2</sub>	S	B	N				
mm	in.		mm	mm	mm	mm	mm	mm	mm	mm	mm	mm	mm	mm	mm	mm	mm	kg
			in.	in.	in.	in.	in.	in.	in.	in.	in.	in.	in.	in.	in.	in.	in.	lbs.
1 ¼	SUCFBQK207-20/F	SUC207-20/F																
1 ⅝	SUCFBQK207-21/F	SUC207-21/F																
1 ¾	SUCFBQK207-22/F	SUC207-22/F	157.2	60.5	50.8	31.8	96.8	46.9	61.4	30.2	36.0	17.5	42.9	13.5	M12	0.7		
			6.188	2.375	2.000	1.250	3.810	1.846	2.417	1.189	1.417	0.689	1.689	0.531	1/2	1.6		
<b>35</b>	<b>SUCFBQK207/F</b>	<b>SUC207/F</b>																
1 ⅞	SUCFBQK207-23/F	SUC207-23/F																
1 ½	SUCFBQK208-24/F	SUC208-24/F																
1 ⅝	SUCFBQK208-25/F	SUC208-25/F	170.7	65.0	57.2	35.1	108.0	47.4	65.6	30.2	35.4	19.0	49.2	13.5	M12	0.9		
			6.719	2.563	2.250	1.375	4.250	1.866	2.583	1.189	1.394	0.748	1.937	0.531	1/2	1.9		
<b>40</b>	<b>SUCFBQK208/F</b>	<b>SUC208/F</b>																



### HYGIENIC BLUE POLYMER (THERMOSET) FOUR-BOLT FLANGED MOUNTED BEARINGS

These units can be ordered with IP69K rated seal and/or QuiKlean housing type. No lubrication hole and no grease fitting with IP69K.



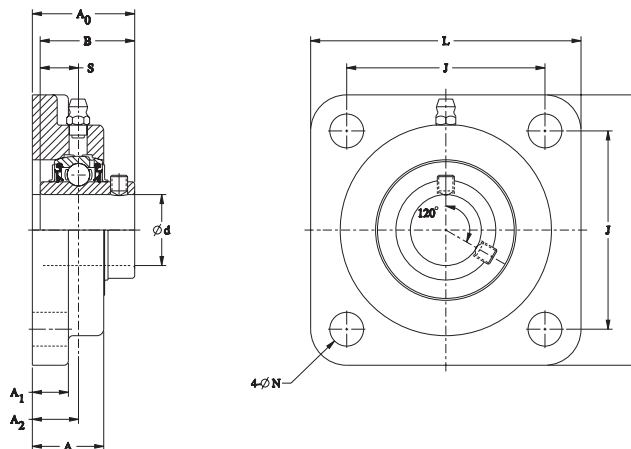
Shaft. Dia. d		Four-Bolt Flange Designation	Bearing Designation	Basic Load Ratings		Dimensions									Bolt Size	Wt.	
				Dynamic	Static	L	J	A	A <sub>0</sub>	A <sub>1</sub>	A <sub>2</sub>	S	B	N			
				C <sub>r</sub>	C <sub>0r</sub>	mm in.	mm in.	mm in.	mm in.	mm in.	mm in.	mm in.	mm in.	mm in.			
20	3/4	SUCBF204-12/F	SUC204-12/F	10.9 2450	5.4 1203	85.9 3.375	63.5 2.500	24.1 0.950	33.4 1.315	11.2 0.438	15.1 0.594	12.7 0.500	31.0 1.220	10.3 0.406	M10 3/8	0.3 0.7	
			SUCBF204/F														SUC204/F
25	7/8	SUCBF205-14/F	SUC205-14/F	11.9 2675	6.3 1416	95.3 3.750	69.9 2.750	25.1 0.990	35.9 1.413	12.7 0.500	16.1 0.634	14.3 0.563	34.1 1.343	11.9 0.469	M10 3/8	0.4 0.9	
			SUCBF205-15/F														SUC205-15/F
			SUCBF205-16/F														SUC205-16/F
			SUCBF205/F														SUC205/F
30	1 1/8	SUCBF206-18/F	SUC206-18/F	16.5 3709	9.1 2035	108.0 4.250	82.6 3.250	27.2 1.067	38.9 1.531	12.7 0.500	16.7 0.657	15.9 0.626	38.1 1.500	11.9 0.469	M10 3/8	0.6 1.3	
			SUCBF206/F														SUC206/F
			SUCBF206-19/F														SUC206-19/F
			SUCBF206-20/F														SUC206-20/F
35	1 1/4	SUCBF207-20/F	SUC207-20/F	21.8 4901	12.3 2765	120.7 4.753	92.2 3.625	31.0 1.223	45.5 1.791	14.2 0.563	20.1 0.791	17.5 0.689	42.9 1.689	13.5 0.531	M12 1/2	0.8 1.8	
			SUCBF207-21/F														SUC207-21/F
			SUCBF207-22/F														SUC207-22/F
			SUCBF207/F														SUC207/F
			SUCBF207-23/F														SUC207-23/F

# HYGIENIC BLUE POLYMER (THERMOSET) HOUSING WITH STAINLESS STEEL BALL BEARING INSERTS

## HYGIENIC BLUE POLYMER (THERMOSET) FOUR-BOLT FLANGED MOUNTED BEARINGS



These units can be ordered with IP69K rated seal and/or QuiKlean housing type. No lubrication hole and no grease fitting with IP69K.

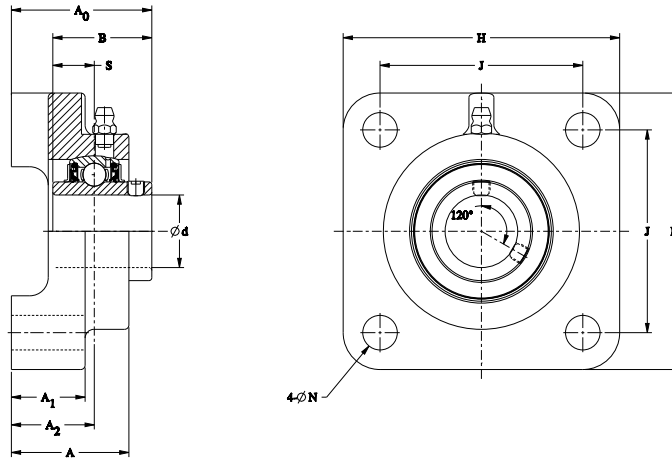


Shaft Dia. d		Four-Bolt Flange Designation	Bearing Designation	Basic Load Ratings		Dimensions								Bolt Size	Wt.	
				Dynamic	Static	L	J	A	A <sub>0</sub>	A <sub>1</sub>	A <sub>2</sub>	S	B			N
				C <sub>r</sub>	C <sub>0r</sub>											
mm	in			kN lbf	kN lbf	mm in.	mm in.	mm in.	mm in.	mm in.	mm in.	mm in.	mm in.	mm in.	mm in.	
	1 ½	SUCBF208-24/F	SUC208-24/F													
	1 ⅝	SUCBF208-25/F	SUC208-25/F	<b>24.8</b> 5575	<b>14.3</b> 3215	<b>130.3</b> 5.125	<b>101.6</b> 4.000	<b>31.5</b> 1.240	<b>49.7</b> 1.957	<b>14.2</b> 0.563	<b>19.5</b> 0.768	<b>19.0</b> 0.748	<b>49.2</b> 1.937	<b>13.5</b> 0.531	<b>M12</b> ½	<b>1.0</b> 2.1
<b>40</b>		<b>SUCBF208/F</b>	<b>SUC208/F</b>													
	1 ⅞	SUCBF209-26/F	SUC209-26/F													
	1 ⅞	SUCBF209-27/F	SUC209-27/F	<b>27.8</b> 6250	<b>16.2</b> 3642	<b>133.4</b> 5.250	<b>104.9</b> 4.125	<b>31.5</b> 1.240	<b>49.6</b> 1.953	<b>15.9</b> 0.625	<b>19.4</b> 0.764	<b>19.0</b> 0.748	<b>49.2</b> 1.937	<b>13.5</b> 0.531	<b>M12</b> ½	<b>1.1</b> 2.5
<b>45</b>		<b>SUCBF209/F</b>	<b>SUC209/F</b>													
	1 ⅞	SUCBF210-30/F	SUC210-30/F													
	1 ⅞	SUCBF210-31/F	SUC210-31/F	<b>29.8</b> 6699	<b>18.6</b> 4181	<b>139.7</b> 5.500	<b>111.3</b> 4.375	<b>31.5</b> 1.240	<b>52.2</b> 2.055	<b>15.9</b> 0.625	<b>19.6</b> 0.772	<b>19.0</b> 0.748	<b>51.6</b> 2.031	<b>13.5</b> 0.531	<b>M12</b> ½	<b>1.3</b> 2.8
<b>50</b>		<b>SUCBF210/F</b>	<b>SUC210/F</b>													
	2	SUCBF210-32/F	SUC210-32/F													



### HYGIENIC BLUE POLYMER (THERMOSET) FOUR-BOLT FLANGED MOUNTED BEARINGS WITH QUIKLEAN

These units can be ordered with IP69K rated seal and/or QuiKlean housing type. No lubrication hole and no grease fitting with IP69K.



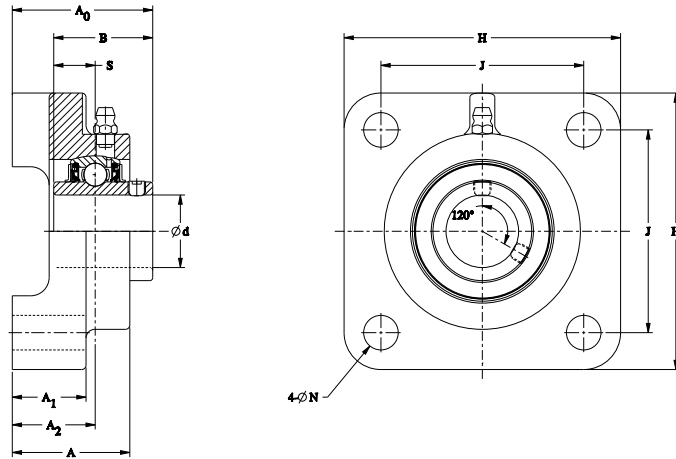
Shaft Dia. d		Four-Bolt Flange Designation	Bearing Designation	Dimensions									Bolt Size	Wt.
				L	J	A	A <sub>0</sub>	A <sub>1</sub>	A <sub>2</sub>	S	B	N		
mm	in.			mm in.	mm in.	mm in.	mm in.	mm in.	mm in.	mm in.	mm in.	mm in.	mm in.	kg lbs.
20	3/4	SUCBFQK204-12/F	SUC204-12/F	85.9 3.375	63.5 2.500	39.9 1.571	48.9 1.925	26.9 1.060	31 1.205	12.7 0.500	31.0 1.220	10.3 0.406	M10 3/8	0.4 0.8
		SUCBFQK204/F	SUC204/F											
25	7/8	SUCBFQK205-14/F	SUC205-14/F	95.3 3.750	69.9 2.750	41.4 1.630	51.8 2.040	28.4 1.120	32.0 1.260	14.3 0.563	34.1 1.343	11.9 0.469	M10 3/8	0.4 0.9
	1 1/16	SUCBFQK205-15/F	SUC205-15/F											
		SUCBFQK205/F	SUC205/F											
	1	SUCBFQK205-16/F	SUC205-16/F											
30	1 1/8	SUCBFQK206-18/F	SUC206-18/F	108.0 4.250	82.6 3.250	42.9 1.690	54.8 2.157	28.4 1.120	32.6 1.283	15.9 0.626	38.1 1.500	10.7 0.422	M10 3/8	0.5 1.2
		SUCBFQK206/F	SUC206/F											
	1 3/16	SUCBFQK206-19/F	SUC206-19/F											
	1 1/4	SUCBFQK206-20/F	SUC206-20/F											

# HYGIENIC BLUE POLYMER (THERMOSET) HOUSING WITH STAINLESS STEEL BALL BEARING INSERTS

## HYGIENIC BLUE POLYMER (THERMOSET) FOUR-BOLT FLANGED MOUNTED BEARINGS WITH QUIKLEAN



These units can be ordered with IP69K rated seal and/or QuiKlean housing type. No lubrication hole and no grease fitting with IP69K.

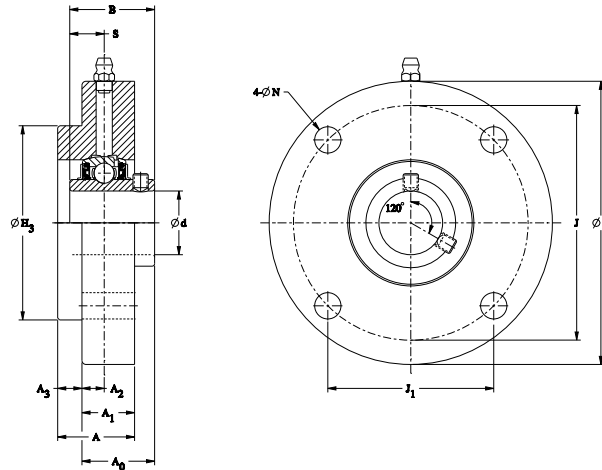


Shaft Dia. d		Four-Bolt Flange Designation	Bearing Designation	Dimensions									Bolt Size	Wt.
				L	J	A	A <sub>0</sub>	A <sub>1</sub>	A <sub>2</sub>	S	B	N		
mm	in.			mm in.	mm in.	mm in.	mm in.	mm in.	mm in.	mm in.	mm in.	mm in.	mm in.	kg lbs.
	1 ¼	SUCBFQK207-20/F	SUC207-20/F	120.7 4.753	92.2 3.625	47 1.850	61.4 2.417	30.2 1.190	36.0 1.417	17.5 0.689	42.9 1.689	13.5 0.531	M12 1/2	0.7 1.6
	1 ⅝	SUCBFQK207-21/F	SUC207-21/F											
	1 ¾	SUCBFQK207-22/F	SUC207-22/F											
<b>35</b>		<b>SUCBFQK207/F</b>	<b>SUC207/F</b>											
	1 ⅞	SUCBFQK207-23/F	SUC207-23/F											
	1 ½	SUCBFQK208-24/F	SUC208-24/F	130.3 5.125	101.6 4.000	47.2 1.858	65.6 2.583	30.0 1.181	35.4 1.394	19.0 0.748	49.2 1.937	13.5 0.531	M12 1/2	0.9 1.9
	1 ⅝	SUCBFQK208-25/F	SUC208-25/F											
		<b>SUCBFQK208/F</b>	<b>SUC208/F</b>											



### HYGIENIC BLUE POLYMER (THERMOSET) PILOTED ROUND FLANGED MOUNTED BEARINGS

These units can be ordered with IP69K rated seal. No lubrication hole and no grease fitting with IP69K.



Shaft Dia. d		Piloted Round Flange Designation	Bearing Designation	Basic Load Ratings		Dimensions											Bolt Size	Wt.							
				Dynamic Cr	Static C0r	H3	J	J1	L	A	A0	A1	A2	A3	S	B			N						
mm	in			kN lbf	kN lbf	mm in.	mm in.	mm in.	mm in.	mm in.	mm in.	mm in.	mm in.	mm in.	mm in.	mm in.	mm in.	mm in.	mm in.	mm in.	mm in.	mm in.	mm in.	mm in.	kg lbs
	7/8	SUCBFC205-14/F	SUC205-14/F	<b>11.9</b> 2675	<b>6.3</b> 1416	<b>76.2</b> 3.000	<b>92.1</b> 3.626	<b>65.1</b> 2.563	<b>111.1</b> 4.374	<b>30.2</b> 1.189	<b>28.5</b> 1.123	<b>20.6</b> 0.811	<b>8.7</b> 0.343	<b>9.5</b> 0.374	<b>14.3</b> 0.563	<b>34.1</b> 1.343	<b>10.3</b> 0.406	<b>M10</b> 3/8	<b>0.5</b> 1.1						
	15/16	SUCBFC205-15/F	SUC205-15/F																						
	1	SUCBFC205-16/F	SUC205-16/F																						
<b>25</b>		<b>SUCBFC205/F</b>	<b>SUC205/F</b>																						
	1 1/8	SUCBFC206-18/F	SUC206-18/F	<b>16.5</b> 3709	<b>9.1</b> 2035	<b>76.2</b> 3.000	<b>92.1</b> 3.626	<b>65.1</b> 2.563	<b>111.1</b> 4.374	<b>31.8</b> 1.252	<b>30.9</b> 1.217	<b>22.2</b> 0.874	<b>8.7</b> 0.343	<b>9.5</b> 0.374	<b>15.9</b> 0.626	<b>38.1</b> 1.500	<b>10.3</b> 0.406	<b>M10</b> 3/8	<b>0.6</b> 1.3						
<b>30</b>		<b>SUCBFC206/F</b>	<b>SUC206/F</b>																						
	1 3/8	SUCBFC206-19/F	SUC206-19/F																						
	1 1/4	SUCBFC206-20/F	SUC206-20/F																						
	1 1/4	SUCBFC207-20/F	SUC207-20/F	<b>21.8</b> 4901	<b>12.3</b> 2765	<b>85.7</b> 3.374	<b>104.8</b> 4.126	<b>74.1</b> 2.917	<b>127.0</b> 5.000	<b>31.8</b> 1.252	<b>33.8</b> 1.331	<b>22.2</b> 0.874	<b>8.4</b> 0.331	<b>9.5</b> 0.374	<b>17.5</b> 0.689	<b>42.9</b> 1.689	<b>11.9</b> 0.469	<b>M12</b> 3/4	<b>0.9</b> 1.9						
	1 3/8	SUCBFC207-21/F	SUC207-21/F																						
	1 3/8	SUCBFC207-22/F	SUC207-22/F																						
<b>35</b>		<b>SUCBFC207/F</b>	<b>SUC207/F</b>																						
	1 7/8	SUCBFC207-23/F	SUC207-23/F																						

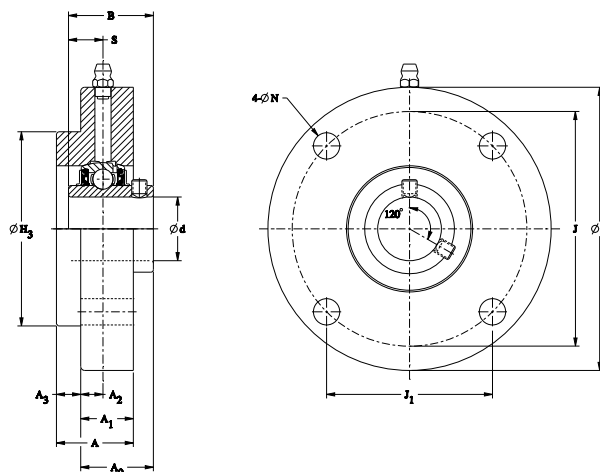


# HYGIENIC BLUE POLYMER (THERMOSET) HOUSING WITH STAINLESS STEEL BALL BEARING INSERTS

## HYGIENIC BLUE POLYMER (THERMOSET) PILOTED ROUND FLANGED MOUNTED BEARINGS



These units can be ordered with IP69K rated seal. No lubrication hole and no grease fitting with IP69K.

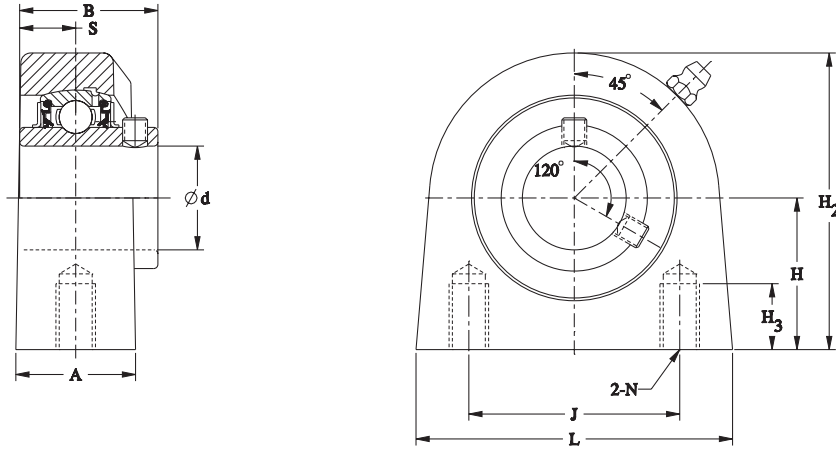


Shaft Dia. d		Piloted Round Flange Designation	Bearing Designation	Basic Load Ratings		Dimensions											Bolt Size	Wt.	
				Dynamic	Static	H <sub>3</sub>	J	J <sub>1</sub>	L	A	A <sub>0</sub>	A <sub>1</sub>	A <sub>2</sub>	A <sub>3</sub>	S	B			N
				C <sub>r</sub>	C <sub>0r</sub>	mm	mm	mm	mm	mm	mm	mm	mm	mm	mm	mm			mm
mm	in			kN lbf	kN lbf	mm in.	mm in.	mm in.	mm in.	mm in.	mm in.	mm in.	mm in.	mm in.	mm in.	mm in.	mm in.	mm in.	kg lbs
	1 ½	SUCBFC208-24/F	SUC208-24/F	24.8 5575	14.3 3215	92.1 3.626	111.1 4.374	78.6 3.094	133.4 5.252	33.4 1.315	38.1 1.500	22.2 0.874	7.9 0.311	11.1 0.437	19.0 0.748	49.2 1.937	11.9 0.469	M12 ¾	1.0 2.3
	1 ⅝	SUCBFC208-25/F	SUC208-25/F																
<b>40</b>		<b>SUCBFC208/F</b>	<b>SUC208/F</b>																
	1 ⅞	SUCBFC209-26/F	SUC209-26/F	27.8 6250	16.2 3642	92.1 3.626	111.1 4.374	78.6 3.094	133.4 5.252	33.4 1.315	38.1 1.500	22.2 0.874	7.9 0.311	11.1 0.437	19.0 0.748	49.2 1.937	13.5 0.531	M12 ½	1.1 2.4
	1 ⅞	SUCBFC209-27/F	SUC209-27/F																
	1 ¾	SUCBFC209-28/F	SUC209-28/F																
<b>45</b>		<b>SUCBFC209/F</b>	<b>SUC209/F</b>																
	1 ⅞	SUCBFC210-30/F	SUC210-30/F	29.8 6699	18.6 4181	108.0 4.252	130.2 5.126	92.0 3.622	153.9 6.059	38.1 1.500	38.6 1.519	22.2 0.874	6.0 0.236	15.9 0.626	19.0 0.748	51.6 2.031	13.5 0.531	M12 ½	1.2 2.7
	1 ⅞	SUCBFC210-31/F	SUC210-31/F																
<b>50</b>		<b>SUCBFC210/F</b>	<b>SUC210/F</b>																
	2	SUCBFC210-32/F	SUC210-32/F																



### HYGIENIC BLUE POLYMER (THERMOSET) TAPPED-BASE Y-SERIES (IMPERIAL THREAD) MOUNTED BEARINGS

These units can be ordered with IP69K rated seal. No lubrication hole and no grease fitting with IP69K.



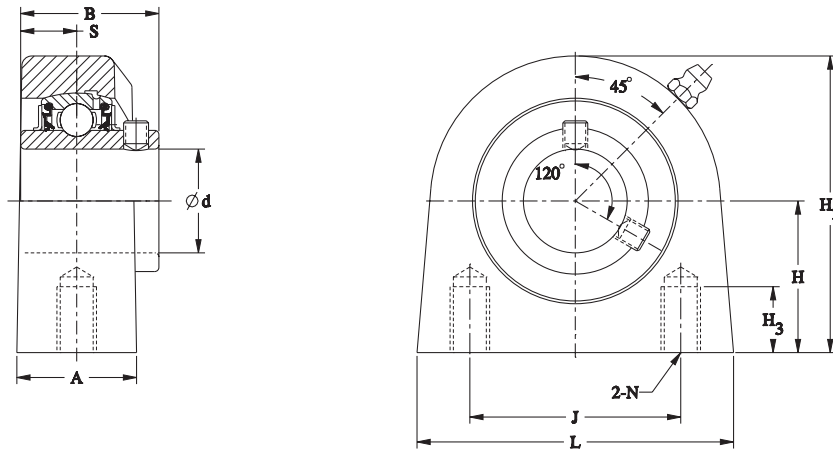
Shaft Dia. d		Tapped Base Designation	Bearing Designation	Basic Load Ratings		Dimensions								Bolt Size N	Wt.										
				Dynamic	Static	H	L	A	J	H <sub>2</sub>	H <sub>3</sub>	S	B												
				C <sub>r</sub>	C <sub>0r</sub>	mm in.	mm in.	mm in.	mm in.	mm in.	mm in.	mm in.	mm in.			mm in.									
<b>20</b>	3/4	SUCBTBY204-12/F	SUC204-12/F	<b>10.9</b> 2450	<b>5.4</b> 1203	<b>33.3</b> 1.310	<b>75.2</b> 2.960	<b>28.7</b> 1.130	<b>50.8</b> 2.000	<b>65.5</b> 2.580	<b>17.0</b> 0.670	<b>12.7</b> 0.500	<b>31.0</b> 1.220	3/8-16	<b>0.3</b> 0.6										
			<b>SUCBTBY204/F</b> <b>SUC204/F</b>																						
<b>25</b>	7/8	SUCBTBY205-14/F	SUC205-14/F	<b>11.9</b> 2675	<b>6.3</b> 1416	<b>36.6</b> 1.440	<b>76.2</b> 3.000	<b>29.0</b> 1.140	<b>50.8</b> 2.000	<b>71.4</b> 2.810	<b>17.0</b> 0.670	<b>14.3</b> 0.563	<b>34.1</b> 1.343	3/8-16	<b>0.4</b> 0.8										
	1 1/16	SUCBTBY205-15/F	SUC205-15/F																						
	1	SUCBTBY205-16/F	SUC205-16/F																						
		<b>SUCBTBY205/F</b> <b>SUC205/F</b>																							
<b>30</b>	1 1/8	SUCBTBY206-18/F	SUC206-18/F	<b>16.5</b> 3709	<b>9.1</b> 2035	<b>42.9</b> 1.690	<b>108.0</b> 4.250	<b>41.4</b> 1.630	<b>76.2</b> 3.000	<b>85.9</b> 3.380	<b>24.8</b> 0.976	<b>15.9</b> 0.626	<b>38.1</b> 1.500	7/8-14	<b>0.5</b> 1.2										
	1 3/16	SUCBTBY206-19/F	SUC206-19/F																						
	1 1/4	SUCBTBY206-20/F	SUC206-20/F																						
		<b>SUCBTBY206/F</b> <b>SUC206/F</b>																							
<b>35</b>	1 1/4	SUCBTBY207-20/F	SUC207-20/F	<b>21.8</b> 4901	<b>12.3</b> 2765	<b>47.8</b> 1.880	<b>114.3</b> 4.500	<b>44.5</b> 1.750	<b>82.6</b> 3.250	<b>98.6</b> 3.880	<b>20.4</b> 0.803	<b>17.5</b> 0.689	<b>42.9</b> 1.689	1/2-13	<b>0.8</b> 1.8										
	1 3/8	SUCBTBY207-21/F	SUC207-21/F																						
	1 1/2	SUCBTBY207-22/F	SUC207-22/F																						
			<b>SUCBTBY207/F</b> <b>SUC207/F</b>																						
	1 7/8	SUCBTBY207-23/F	SUC207-23/F																						

# HYGIENIC BLUE POLYMER (THERMOSET) HOUSING WITH STAINLESS STEEL BALL BEARING INSERTS

## HYGIENIC BLUE POLYMER (THERMOSET) TAPPED-BASE Y-SERIES (IMPERIAL THREAD) MOUNTED BEARINGS



These units can be ordered with IP69K rated seal. No lubrication hole and no grease fitting with IP69K.

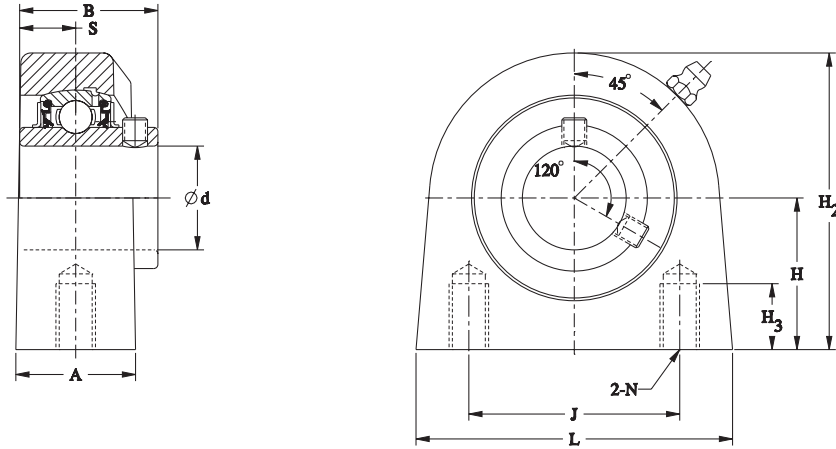


Shaft Dia. d		Tapped Base Designation	Bearing Designation	Basic Load Ratings		Dimensions								Bolt Size N	Wt.
				Dynamic	Static	H	L	A	J	H <sub>2</sub>	H <sub>3</sub>	S	B		
				C <sub>r</sub>	C <sub>0r</sub>										
mm	in			kN lbf	kN lbf	mm in.	mm in.	mm in.	mm in.	mm in.	mm in.	mm in.	mm in.	in.	kg lbs
40	1 1/2	SUCBTBY208-24/F	SUC208-24/F	24.8 5575	14.3 3215	49.3 1.940	120.7 4.750	47.8 1.880	88.9 3.500	104.8 4.130	20.4 0.803	19.0 0.748	49.2 1.937	1/2-13	1.0 2.2
	1 5/8	SUCBTBY208-25/F	SUC208-25/F												
		<b>SUCBTBY208/F</b>	<b>SUC208/F</b>												
45	1 5/8	SUCBTBY209-26/F	SUC209-26/F	27.8 6250	16.2 3642	54.0 2.130	133.4 5.250	50.0 1.970	95.3 3.750	111.3 4.380	20.4 0.803	19.0 0.748	49.2 1.937	1/2-13	1.1 2.5
	1 7/8	SUCBTBY209-27/F	SUC209-27/F												
	1 3/4	SUCBTBY209-28/F	SUC209-28/F												
		<b>SUCBTBY209/F</b>	<b>SUC209/F</b>												
50	1 7/8	SUCBTBY210-30/F	SUC210-30/F	29.8 6699	18.6 4181	57.2 2.250	146.1 5.750	54.0 2.130	101.6 4.000	120.7 4.750	29.0 1.140	19.0 0.748	51.6 2.031	5/8-11	1.4 3.0
	1 5/8	SUCBTBY210-31/F	SUC210-31/F												
		<b>SUCBTBY210/F</b>	<b>SUC210/F</b>												
	2	SUCBTBY210-32/F	SUC210-32/F												



**HYGIENIC BLUE POLYMER (THERMOSET) TAPPED-BASE Y-SERIES (METRIC THREAD) MOUNTED BEARINGS**

These units can be ordered with IP69K rated seal. No lubrication hole and no grease fitting with IP69K.



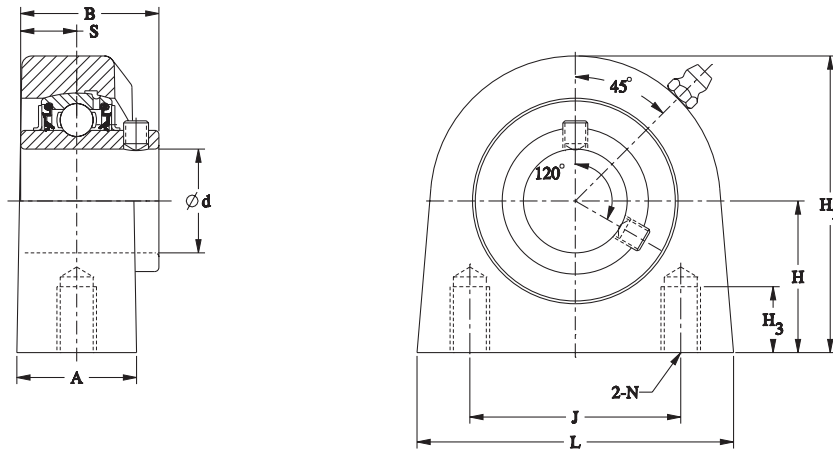
Shaft Dia. d		Tapped Base Designation	Bearing Designation	Basic Load Ratings		Dimensions							Bolt Size N	Wt.	
				Dynamic	Static	H	L	A	J	H <sub>2</sub>	H <sub>3</sub>	S			B
				C <sub>r</sub>	C <sub>0r</sub>										
mm	in			kN lbf	kN lbf	mm in.	mm in.	mm in.	mm in.	mm in.	mm in.	mm in.	mm	kg lbs	
20	3/4	SUCBTBYM204-12/F	SUC204-12/F	10.9 2450	5.4 1203	33.3 1.310	75.2 2.960	28.7 1.130	50.8 2.000	65.5 2.580	15.2 0.600	12.7 0.500	31.0 1.220	M8x1.25	0.3 0.6
		SUCBTBYM204/F	SUC204/F												
25	7/8	SUCBTBYM205-14/F	SUC205-14/F	11.9 2675	6.3 1416	36.6 1.440	76.2 3.000	29.0 1.140	50.8 2.000	71.4 2.810	15.2 0.600	14.3 0.563	34.1 1.343	M10x1.5	0.4 0.8
		SUCBTBYM205-15/F	SUC205-15/F												
		SUCBTBYM205-16/F	SUC205-16/F												
		SUCBTBYM205/F	SUC205/F												
30	1 1/8	SUCBTBYM206-18/F	SUC206-18/F	16.5 3709	9.1 2035	42.9 1.690	108.0 4.250	41.4 1.630	76.2 3.000	85.9 3.380	22.9 0.900	15.9 0.626	38.1 1.500	M10x1.5	0.5 1.2
		SUCBTBYM206/F	SUC206/F												
		SUCBTBYM206-19/F	SUC206-19/F												
35	1 1/4	SUCBTBYM206-20/F	SUC206-20/F	21.8 4901	12.3 2765	47.8 1.880	114.3 4.500	44.5 1.750	82.6 3.250	98.6 3.880	18.5 0.730	17.5 0.689	42.9 1.689	M10x1.5	0.8 1.8
		SUCBTBYM207-20/F	SUC207-20/F												
		SUCBTBYM207-21/F	SUC207-21/F												
		SUCBTBYM207-22/F	SUC207-22/F												
		SUCBTBYM207/F	SUC207/F												
	1 7/8	SUCBTBYM207-23/F	SUC207-23/F												

# HYGIENIC BLUE POLYMER (THERMOSET) HOUSING WITH STAINLESS STEEL BALL BEARING INSERTS

## HYGIENIC BLUE POLYMER (THERMOSET) TAPPED-BASE Y-SERIES (METRIC THREAD) MOUNTED BEARINGS



These units can be ordered with IP69K rated seal. No lubrication hole and no grease fitting with IP69K.

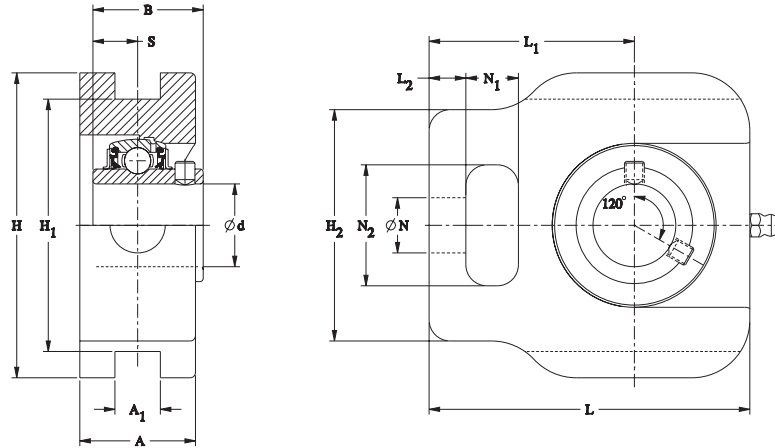


Shaft Dia. d		Tapped Base Designation	Bearing Designation	Basic Load Ratings		Dimensions							Bolt Size N	Wt.	
				Dynamic	Static	H	L	A	J	H <sub>2</sub>	H <sub>3</sub>	S			B
				C <sub>r</sub>	C <sub>0r</sub>										
mm	in			kN lbf	kN lbf	mm in.	mm in.	mm in.	mm in.	mm in.	mm in.	mm in.	mm	kg lbs	
	1 1/2	SUCBTBYM208-24/F	SUC208-24/F	24.8 5575	14.3 3215	49.3 1.940	120.7 4.750	47.8 1.880	88.9 3.500	104.8 4.130	18.5 0.730	19.0 0.748	49.2 1.937	M12x1.75	1.0 2.2
	1 5/8	SUCBTBYM208-25/F	SUC208-25/F												
<b>40</b>		<b>SUCBTBYM208/F</b>	<b>SUC208/F</b>												
	1 3/8	SUCBTBYM209-26/F	SUC209-26/F	27.8 6250	16.2 3642	54.0 2.130	133.4 5.250	50.0 1.970	95.3 3.750	111.3 4.380	18.5 0.730	19.0 0.748	49.2 1.937	M12x1.75	1.1 2.5
	1 7/8	SUCBTBYM209-27/F	SUC209-27/F												
	1 3/4	SUCBTBYM209-28/F	SUC209-28/F												
<b>45</b>		<b>SUCBTBYM209/F</b>	<b>SUC209/F</b>												
	1 3/8	SUCBTBYM210-30/F	SUC210-30/F	29.8 6699	18.6 4181	57.2 2.250	146.1 5.750	54.0 2.130	101.6 4.000	120.7 4.750	29.0 1.140	19.0 0.748	51.6 2.031	M16x2.0	1.4 3.0
	1 7/8	SUCBTBYM210-31/F	SUC210-31/F												
<b>50</b>		<b>SUCBTBYM210/F</b>	<b>SUC210/F</b>												
	2	SUCBTBYM210-32/F	SUC210-32/F												



### HYGIENIC BLUE POLYMER (THERMOSET) TAKE-UP MOUNTED BEARINGS

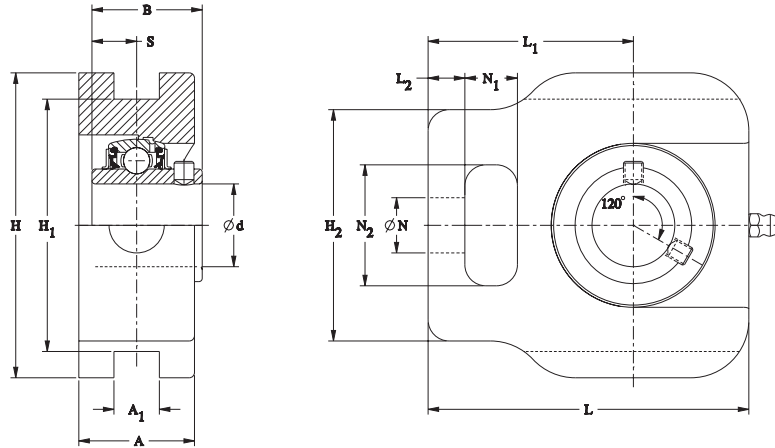
These units can be ordered with IP69K rated seal. No lubrication hole and no grease fitting with IP69K.



Shaft Dia. d		Take-up Unit Designation	Bearing Designation	Basic Load Ratings		Dimensions												Wt. kg lbs	
				Dynamic	Static	H	H <sub>1</sub>	H <sub>2</sub>	L	L <sub>1</sub>	L <sub>2</sub>	A	A <sub>1</sub>	S	B	N	N <sub>1</sub>		N <sub>2</sub>
				C <sub>r</sub>	C <sub>0r</sub>	mm in.	mm in.	mm in.	mm in.	mm in.	mm in.	mm in.	mm in.	mm in.	mm in.	mm in.	mm in.		mm in.
20	3/4	SUCBT204-12/F	SUC204-12/F	10.9 2450	5.4 1203	92.2 3.625	76.2 3.000	69.9 2.750	93.7 3.688	60.5 2.375	11.2 0.438	35.1 1.380	13.7 0.540	12.7 0.500	31.0 1.220	16.7 0.656	15.9 0.625	36.5 1.438	0.4 0.9
		SUCBT204/F	SUC204/F																
25	7/8	SUCBT205-14/F	SUC205-14/F	11.9 2675	6.3 1416	92.2 3.625	76.2 3.000	69.9 2.750	96.8 3.813	62.0 2.438	11.2 0.437	35.1 1.375	13.7 0.540	14.3 0.563	34.1 1.343	16.7 0.656	15.9 0.625	36.5 1.438	0.5 1.0
		SUCBT205-15/F	SUC205-15/F																
		SUCBT205-16/F	SUC205-16/F																
		SUCBT205/F	SUC205/F																
30	1 1/8	SUCBT206-18/F	SUC206-18/F	16.5 3709	9.1 2035	104.9 4.125	88.9 3.500	82.6 3.250	111.3 4.375	69.9 2.750	11.2 0.437	41.3 1.625	13.7 0.540	15.9 0.626	38.1 1.500	19.8 0.781	19.8 0.781	41.3 1.625	0.7 1.6
		SUCBT206/F	SUC206/F																
		SUCBT206-19/F	SUC206-19/F																
		SUCBT206-20/F	SUC206-20/F																
35	1 1/4	SUCBT207-20/F	SUC207-20/F	21.8 4901	12.3 2765	104.9 4.125	88.9 3.500	82.6 3.250	122.2 4.813	76.2 3.000	11.2 0.438	41.3 1.625	13.7 0.540	17.5 0.689	42.9 1.689	19.8 0.781	19.8 0.781	41.4 1.630	0.9 1.9
		SUCBT207-21/F	SUC207-21/F																
		SUCBT207-22/F	SUC207-22/F																
		SUCBT207/F	SUC207/F																
		SUCBT207-23/F	SUC207-23/F																



These units can be ordered with IP69K rated seal. No lubrication hole and no grease fitting with IP69K.



Shaft Dia. d		Take-up Unit Designation	Bearing Designation	Basic Load Ratings		Dimensions												Wt.		
				Dynamic	Static	H	H <sub>1</sub>	H <sub>2</sub>	L	L <sub>1</sub>	L <sub>2</sub>	A	A <sub>1</sub>	S	B	N	N <sub>1</sub>		N <sub>2</sub>	
				C <sub>r</sub>	C <sub>0r</sub>	mm in.	mm in.	mm in.	mm in.	mm in.	mm in.	mm in.	mm in.	mm in.	mm in.	mm in.	mm in.		mm in.	mm in.
<b>mm</b>	<b>in</b>			<b>kN</b>	<b>kN</b>	<b>mm</b>	<b>mm</b>	<b>mm</b>	<b>mm</b>	<b>mm</b>	<b>mm</b>	<b>mm</b>	<b>mm</b>	<b>mm</b>	<b>mm</b>	<b>mm</b>	<b>mm</b>	<b>mm</b>	<b>kg</b>	
				<b>lbf</b>	<b>lbf</b>	<b>in.</b>	<b>in.</b>	<b>in.</b>	<b>in.</b>	<b>in.</b>	<b>in.</b>	<b>in.</b>	<b>in.</b>	<b>in.</b>	<b>in.</b>	<b>in.</b>	<b>in.</b>	<b>in.</b>	<b>lbs</b>	
	1 ½	SUCBT208-24/F	SUC208-24/F																	
	1 ⅝	SUCBT208-25/F	SUC208-25/F	24.8	14.3	114.3	101.6	95.3	139.7	87.4	14.2	47.8	17.7	19.0	49.2	27.0	23.8	49.2	1.2	
				5575	3215	4.500	4.000	3.750	5.500	3.438	0.563	1.875	0.696	0.748	1.937	1.060	0.938	1.938	2.6	
<b>40</b>		<b>SUCBT208/F</b>	<b>SUC208/F</b>																	
	1 ⅝	SUCBT209-26/F	SUC209-26/F																	
	1 ⅞	SUCBT209-27/F	SUC209-27/F	27.8	16.2	117.6	101.6	95.3	144.5	88.9	14.2	47.8	17.7	19.0	49.2	27.0	23.8	49.2	1.3	
				6250	3642	4.625	4.000	3.750	5.688	3.500	0.563	1.875	0.696	0.748	1.937	1.063	0.938	1.938	2.9	
<b>45</b>		<b>SUCBT209/F</b>	<b>SUC209/F</b>																	
	1 ⅝	SUCBT210-30/F	SUC210-30/F																	
	1 ⅞	SUCBT210-31/F	SUC210-31/F	29.8	18.6	120.7	101.6	95.3	147.6	90.4	14.2	47.8	17.7	19.0	51.6	27.0	23.8	49.2	1.4	
				6699	4181	4.750	4.000	3.750	5.813	3.563	0.563	1.875	0.696	0.748	2.031	1.063	0.938	1.938	3.0	
<b>50</b>		<b>SUCBT210/F</b>	<b>SUC210/F</b>																	
	2	SUCBT210-32/F	SUC210-32/F																	







***STAINLESS STEEL HOUSING  
WITH STAINLESS STEEL  
BALL BEARING INSERTS***

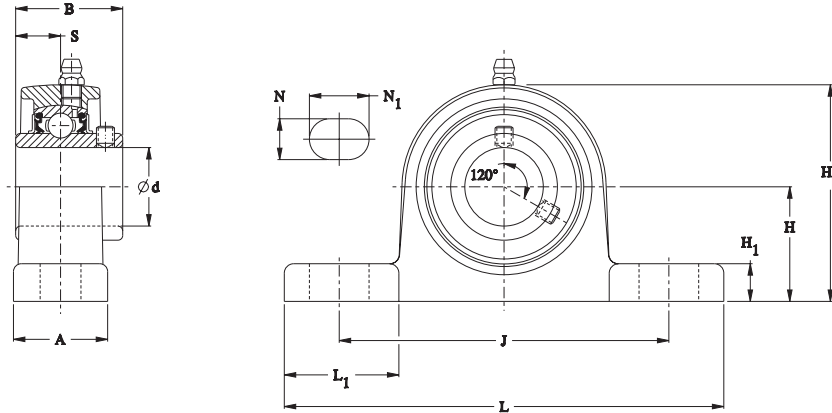
The following topics are covered within this section:

Stainless Steel Pillow Block Mounted Bearings . . . . .	56
Stainless Steel Two-Bolt Flanged Mounted Bearings. . . . .	58
Stainless Steel Two-Bolt Flanged Mounted Bearings with QuiKlean. . . . .	60
Stainless Steel Two-Bolt Y-Series Flanged Mounted Bearings. . . . .	62
Stainless Steel Small Two-Bolt Flanged Mounted Bearings with QuiKlean . . . . .	64
Stainless Steel Three-Bolt Flanged Mounted Bearings . . . . .	66
Stainless Steel Three-Bolt Flanged Mounted Bearings with QuiKlean . . . . .	68
Stainless Steel Four-Bolt Flanged Mounted Bearings . . . . .	70
Stainless Steel Four-Bolt Flanged Mounted Bearings with QuiKlean . . . . .	72
Stainless Steel Tapped-Base Mounted Bearings . . . . .	74
Stainless Steel Tapped-Base Y-Series (Imperial Thread) Mounted Bearings . . . . .	76
Stainless Steel Tapped-Base Y-Series (Metric Thread) Mounted Bearings. . . . .	77
Stainless Steel Take-Up Mounted Bearings . . . . .	78



### STAINLESS STEEL PILLOW BLOCK MOUNTED BEARINGS

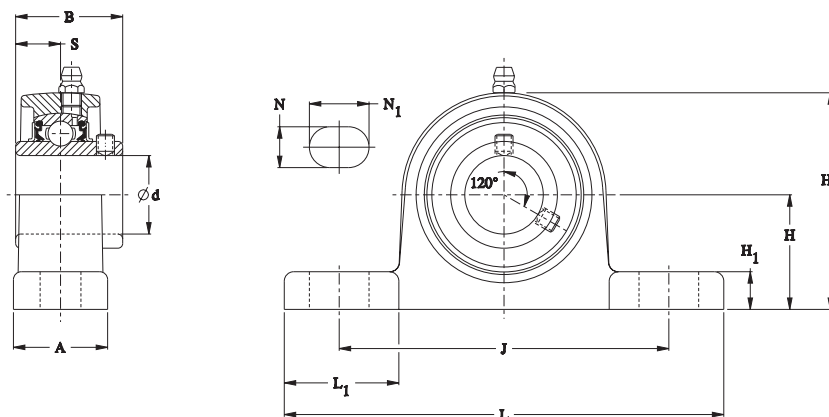
These units can be ordered with IP69K rated seal. No lubrication hole and no grease fitting with IP69K.



Shaft Dia. d		Pillow Block Designation	Bearing Designation	Basic Load Ratings		Dimensions											Bolt Size	Wt.
				Dynamic	Static	H	L	L <sub>1</sub>	A	H <sub>1</sub>	J	H <sub>2</sub>	S	B	N	N <sub>1</sub>		
				C <sub>r</sub>	C <sub>0r</sub>	mm in.	mm in.	mm in.	mm in.	mm in.	mm in.	mm in.	mm in.	mm in.	mm in.	mm in.		
20	¾	SUCSP204-12/F	SUC204-12/F	10.9 2450	5.4 1203	33.3 1.311	127 5.00	33 1.299	30 1.181	11 0.433	95 3.740	63 2.480	12.7 0.500	31 1.220	13 0.512	18 0.709	M10 ¾	0.6 1.3
		SUCSP204/F	SUC204/F															
25	7/8	SUCSP205-14/F	SUC205-14/F	11.9 2675	6.3 1416	36.5 1.437	140 5.512	36.5 1.437	30 1.181	12 0.472	105 4.134	69 2.717	14.3 0.563	34.1 1.343	13 0.512	19 0.748	M10 ¾	0.7 1.5
		SUCSP205-15/F	SUC205-15/F															
		SUCSP205-16/F	SUC205-16/F															
		SUCSP205/F	SUC205/F															
30	1 1/8	SUCSP206-18/F	SUC206-18/F	16.5 3709	9.1 2035	42.9 1.689	165 6.496	43.5 1.713	36 1.417	13 0.512	121 4.764	81 3.189	15.9 0.626	38.1 1.500	17 0.669	21 0.827	M14 ½	1.1 2.4
		SUCSP206/F	SUC206/F															
		SUCSP206-19/F	SUC206-19/F															
35	1 1/4	SUCSP206-20/F	SUC206-20/F	21.8 4901	12.3 2765	47.6 1.874	167 6.575	39 1.535	38 1.496	14 0.551	127 5.00	91 3.583	17.5 0.689	42.9 1.689	17 0.669	21 0.827	M14 ½	1.4 3.1
		SUCSP207-20/F	SUC207-20/F															
		SUCSP207-21/F	SUC207-21/F															
		SUCSP207-22/F	SUC207-22/F															
		SUCSP207/F	SUC207/F															
	1 7/8	SUCSP207-23/F	SUC207-23/F															



These units can be ordered with IP69K rated seal. No lubrication hole and no grease fitting with IP69K.

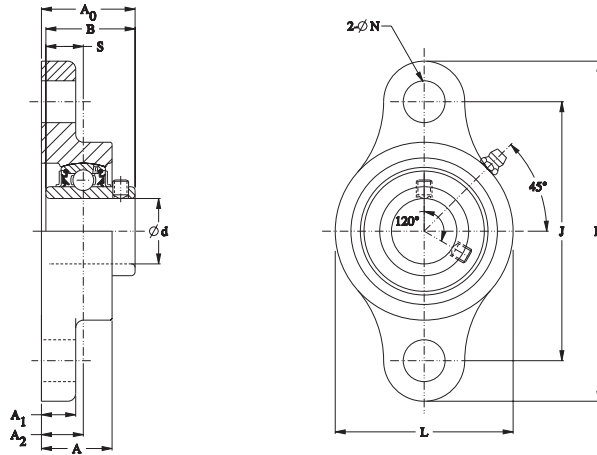


Shaft Dia. d		Pillow Block Designation	Bearing Designation	Basic Load Ratings		Dimensions										Bolt Size	Wt.	
				Dynamic	Static	H	L	L <sub>1</sub>	A	H <sub>1</sub>	J	H <sub>2</sub>	S	B	N			N <sub>1</sub>
				C <sub>r</sub>	C <sub>0r</sub>	mm	mm	mm	mm	mm	mm	mm	mm	mm	mm			mm
<b>40</b>	1 ½	SUCSP208-24/F	SUC208-24/F	24.8 5575	14.3 3215	49.2 1.937	184 7.244	43 1.693	40 1.575	14 0.551	137 5.394	97 3.819	19 0.748	49.2 1.937	17 0.669	21 0.827	M14 ½	1.7 3.7
	1 ⅝	SUCSP208-25/F	SUC208-25/F															
		<b>SUCSP208/F</b>	<b>SUC208/F</b>															
<b>45</b>	1 ⅝	SUCSP209-26/F	SUC209-26/F	27.8 6250	16.2 3642	54 2.126	190 7.480	44 1.732	40 1.575	15 0.591	146 5.748	104 4.094	19 0.748	49.2 1.937	17 0.669	21 0.827	M14 ½	2.0 4.4
	1 ⅞	SUCSP209-27/F	SUC209-27/F															
	1 ¾	SUCSP209-28/F	SUC209-28/F															
<b>50</b>	1 ⅞	SUCSP210-30/F	SUC210-30/F	29.8 6699	18.6 4181	57.2 2.252	206 8.110	48 1.890	45 1.772	16 0.630	159 6.260	111 4.370	19 0.748	51.6 2.031	20 0.787	22 0.866	M16 ⅝	2.5 5.5
	1 ⅞	SUCSP210-31/F	SUC210-31/F															
	2	SUCSP210-32/F	SUC210-32/F															

### STAINLESS STEEL TWO-BOLT FLANGED MOUNTED BEARINGS



These units can be ordered with IP69K rated seal and/or QuiKlean housing type. No lubrication hole and no grease fitting with IP69K.



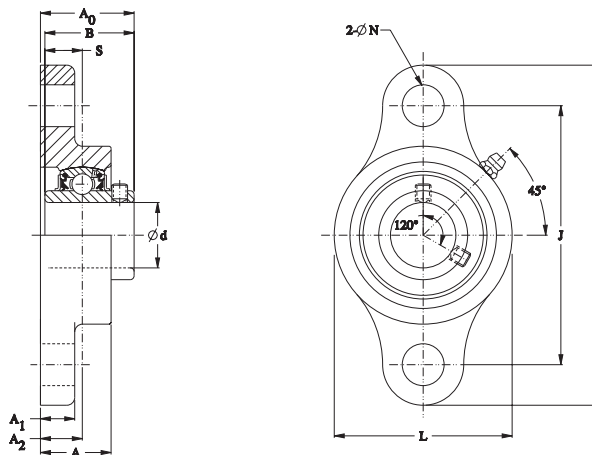
Shaft Dia. d		Two-Bolt Flange Designation	Bearing Designation	Basic Load Ratings		Dimensions										Bolt Size	Wt.
				Dynamic	Static	H	J	A	A <sub>0</sub>	A <sub>1</sub>	A <sub>2</sub>	L	S	B	N		
				C <sub>r</sub>	C <sub>0r</sub>	mm in.	mm in.	mm in.	mm in.	mm in.	mm in.	mm in.	mm in.	mm in.	mm in.		
20	¾	SUCSFL204-12/F	SUC204-12/F	10.9 2450	5.4 1203	113 4.449	90 3.543	26 1.024	33.3 1.311	10 0.394	15 0.591	60 2.362	12.7 0.500	31 1.220	12 0.472	M10 ⅜	0.5 1.1
		SUCSFL204/F	SUC204/F														
25	7/8	SUCSFL205-14/F	SUC205-14/F	11.9 2675	6.3 1416	130 5.118	99 3.898	27.5 1.083	35.8 1.409	10 0.394	16 0.630	68 2.677	14.3 0.563	34.1 1.343	16 0.630	M14 ½	0.6 1.3
		SUCSFL205-15/F	SUC205-15/F														
		SUCSFL205-16/F	SUC205-16/F														
		SUCSFL205/F	SUC205/F														
30	1 ⅛	SUCSFL206-18/F	SUC206-18/F	16.5 3709	9.1 2035	148 5.827	117 4.606	31 1.220	40.2 1.583	10 0.394	18 0.709	80 3.150	15.9 0.626	38.1 1.500	16 0.630	M14 ½	0.9 2.0
		SUCSFL206/F	SUC206/F														
		SUCSFL206-19/F	SUC206-19/F														
		SUCSFL206-20/F	SUC206-20/F														
35	1 ¼	SUCSFL207-20/F	SUC207-20/F	21.8 4901	12.3 2765	161 6.339	130 5.118	34 1.339	44.4 1.748	11 0.433	19 0.748	85 3.346	17.5 0.689	42.9 1.689	16 0.630	M14 ½	1.1 2.4
		SUCSFL207-21/F	SUC207-21/F														
		SUCSFL207-22/F	SUC207-22/F														
		SUCSFL207/F	SUC207/F														
		SUCSFL207-23/F	SUC207-23/F														

# STAINLESS STEEL HOUSING WITH STAINLESS STEEL BALL BEARING INSERTS

## STAINLESS STEEL TWO-BOLT FLANGED MOUNTED BEARINGS



These units can be ordered with IP69K rated seal and/or QuiKlean housing type. No lubrication hole and no grease fitting with IP69K.

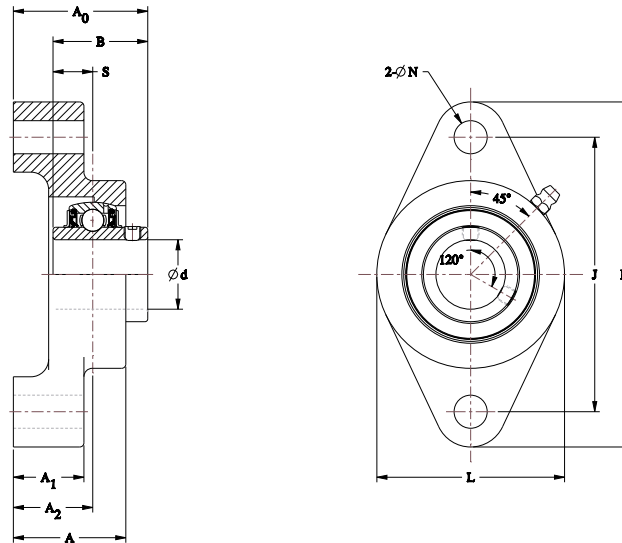


Shaft Dia. d		Two-Bolt Flange Designation	Bearing Designation	Basic Load Ratings		Dimensions										Bolt Size	Wt.
				Dynamic	Static	H	J	A	A <sub>0</sub>	A <sub>1</sub>	A <sub>2</sub>	L	S	B	N		
				C <sub>r</sub>	C <sub>0r</sub>	mm in.	mm in.	mm in.	mm in.	mm in.	mm in.	mm in.	mm in.	mm in.	mm in.		
<b>40</b>	1 1/2	SUCSFL208-24/F	SUC208-24/F	24.8 5575	14.3 3215	175 6.890	144 5.669	36 1.417	51.2 2.016	12 0.472	21 0.827	94 3.701	19 0.748	49.2 1.937	16 0.630	M14 1/2	1.4 3.1
	1 5/8	SUCSFL208-25/F	SUC208-25/F														
		<b>SUCSFL208/F</b>	<b>SUC208/F</b>														
<b>45</b>	1 3/4	SUCSFL209-26/F	SUC209-26/F	27.8 6250	16.2 3642	188 7.402	148 5.827	38 1.496	52.2 2.055	13 0.512	22 0.866	100 3.937	19 0.748	49.2 1.937	19 0.748	M16 5/8	1.6 3.5
	1 7/8	SUCSFL209-27/F	SUC209-27/F														
		<b>SUCSFL209/F</b>	<b>SUC209/F</b>														
<b>50</b>	2	SUCSFL210-30/F	SUC210-30/F	29.8 6699	18.6 4181	197 7.756	157 6.181	40 1.575	54.6 2.150	13 0.512	22 0.866	106 4.173	19 0.748	51.6 2.031	19 0.748	M16 5/8	1.9 4.2
	1 7/8	SUCSFL210-31/F	SUC210-31/F														
		<b>SUCSFL210/F</b>	<b>SUC210/F</b>														
		SUCSFL210-32/F	SUC210-32/F														



### STAINLESS STEEL TWO-BOLT FLANGED MOUNTED BEARINGS WITH QUIKLEAN

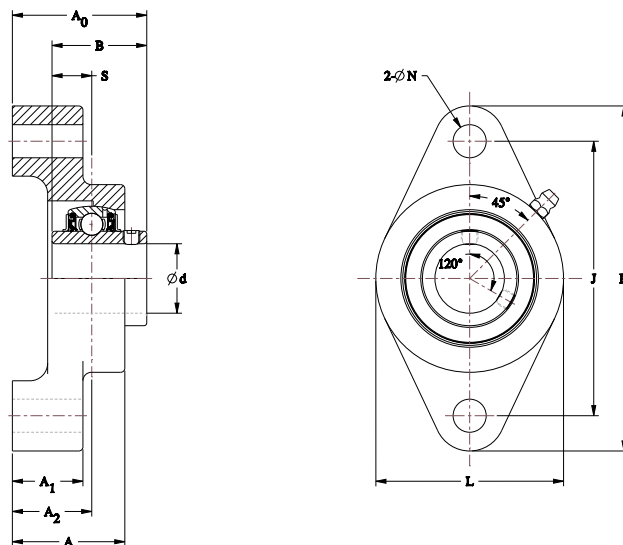
These units can be ordered with IP69K rated seal and/or QuiKlean housing type. No lubrication hole and no grease fitting with IP69K.



Shaft Dia. d		Two-Bolt Flange Designation	Bearing Designation	Basic Load Ratings		Dimensions										Bolt Size	Wt.
				Dynamic	Static	H	J	A	A <sub>0</sub>	A <sub>1</sub>	A <sub>2</sub>	L	S	B	N		
				C <sub>r</sub>	C <sub>0r</sub>	mm in.	mm in.	mm in.	mm in.	mm in.	mm in.	mm in.	mm in.	mm in.	mm in.		
<b>20</b>	3/4	SUCSFLQK204-12/F	SUC204-12/F	10.9 2450	5.4 1203	111.9 4.407	89.7 3.532	38.9 1.530	46.1 1.814	23.9 0.940	27.8 1.094	61.5 2.420	12.7 0.500	31.0 1.220	10.3 0.406	M10 3/8	0.7 1.5
		SUCSFLQK204/F	SUC204/F														
<b>25</b>		SUCSFLQK205/F	SUC205/F	11.9 2675	6.3 1416	124.2 4.890	98.8 3.890	40.4 1.590	48.9 1.925	25.4 1.000	29.1 1.145	67.6 2.660	14.3 0.563	34.1 1.343	11.9 0.469	M10 7/16	0.8 1.8
	1	SUCSFLQK205-16/F	SUC205-16/F														
<b>30</b>		SUCSFLQK206/F	SUC206/F	16.5 3709	9.1 2035	142.0 5.590	116.7 4.594	43.7 1.719	52.8 2.077	25.4 1.000	30.6 1.203	79.4 3.125	15.9 0.626	38.1 1.500	11.9 0.469	M10 7/16	1.1 2.5
	1 3/16	SUCSFLQK206-19/F	SUC206-19/F														
	1 1/4	SUCSFLQK206-20/F	SUC206-20/F														
	1 1/4	SUCSFLQK207-20/F	SUC207-20/F														
<b>35</b>		SUCSFLQK207/F	SUC207/F	21.8 4901	12.3 2765	158.8 6.250	130.1 5.124	46.8 1.844	57.2 2.250	26.9 1.060	31.8 1.250	92.1 3.625	17.5 0.689	42.9 1.689	13.5 0.531	M12 1/2	1.8 3.9
	1 7/16	SUCSFLQK207-23/F	SUC207-23/F														



These units can be ordered with IP69K rated seal and/or QuiKlean housing type. No lubrication hole and no grease fitting with IP69K.

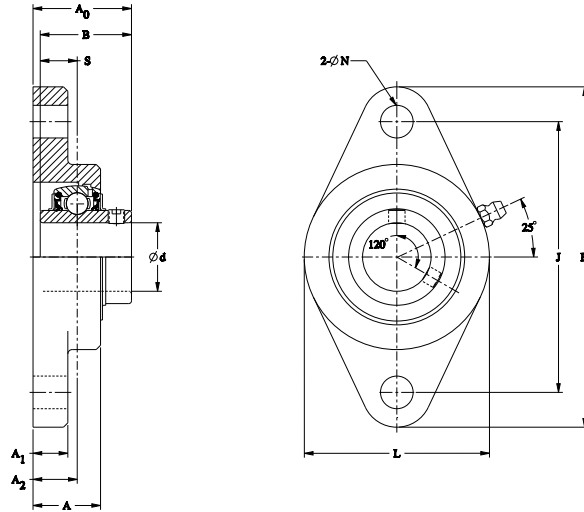


Shaft Dia. d		Two-Bolt Flange Designation	Bearing Designation	Basic Load Ratings		Dimensions										Bolt Size	Wt.
				Dynamic	Static	H	J	A	A <sub>0</sub>	A <sub>1</sub>	A <sub>2</sub>	L	S	B	N		
				C <sub>r</sub>	C <sub>0r</sub>	mm in.	mm in.	mm in.	mm in.	mm in.	mm in.	mm in.	mm in.	mm in.	mm in.		
40	1 1/2	SUCSFLQK208-24/F	SUC208-24/F	24.8 5575	14.3 3215	172.2 6.781	143.7 5.656	48.4 1.906	63.9 2.517	26.9 1.060	33.7 1.328	101.6 4.000	19.0 0.748	49.2 1.937	13.5 0.531	M12 1/2	2.1 4.7
		SUCSFLQK208/F	SUC208/F														
45	1 1/8	SUCSFLQK209-27/F	SUC209-27/F	27.8 6250	16.2 3642	177.0 6.969	155.2 6.110	50.8 2.000	64.7 2.548	28.7 1.130	34.5 1.359	108.0 4.250	19.0 0.748	49.2 1.937	13.5 0.531	M12 1/2	2.6 5.6
		SUCSFLQK209/F	SUC209/F														
50	1 1/8	SUCSFLQK210-31/F	SUC210-31/F	29.8 6699	18.6 4181	185.8 7.313	157.2 6.188	52.4 2.063	67.1 2.642	28.7 1.130	34.5 1.359	115.9 4.563	19.0 0.748	51.6 2.031	13.5 0.531	M12 1/2	3.0 6.6
		SUCSFLQK210/F	SUC210/F														



### STAINLESS STEEL TWO-BOLT Y-SERIES FLANGED MOUNTED BEARINGS

These units can be ordered with IP69K rated seal and/or QuiKlean housing type. No lubrication hole and no grease fitting with IP69K.



Shaft Dia. d		Two-Bolt Flange Designation	Bearing Designation	Basic Load Ratings		Dimensions										Bolt Size	Wt.
				Dynamic	Static	H	J	A	A <sub>0</sub>	A <sub>1</sub>	A <sub>2</sub>	L	S	B	N		
				C <sub>r</sub>	C <sub>0r</sub>	mm in.	mm in.	mm in.	mm in.	mm in.	mm in.	mm in.	mm in.	mm in.	mm in.		
20	3/4	SUCSFLY204-12/F	SUC204-12/F	10.9 2450	5.4 1203	111.9 4.407	89.7 3.532	26.2 1.031	33.4 1.315	11.1 0.437	15.1 0.594	61.5 2.420	12.7 0.500	31.0 1.220	10.8 0.425	M10 3/8	0.5 1.2
		SUCSFLY204/F	SUC204/F														
25		SUCSFLY205/F	SUC205/F	11.9 2675	6.3 1416	124.2 4.890	98.8 3.890	27.3 1.075	35.7 1.406	12.7 0.500	15.9 0.626	67.6 2.660	14.3 0.563	34.1 1.343	12.1 0.476	M10 7/16	0.7 1.6
	1	SUCSFLY205-16/F	SUC205-16/F														
30		SUCSFLY206/F	SUC206/F	16.5 3709	9.1 2035	142.0 5.590	116.7 4.594	31.0 1.220	40.0 1.575	12.7 0.500	17.8 0.701	79.4 3.125	15.9 0.626	38.1 1.500	12.4 0.488	M10 7/16	0.9 2.0
	1 3/8	SUCSFLY206-19/F	SUC206-19/F														
	1 1/4	SUCSFLY206-20/F	SUC206-20/F														
35	1 1/4	SUCSFLY207-20/F	SUC207-20/F	21.8 4901	12.3 2765	158.8 6.250	130.1 5.124	34.1 1.343	44.5 1.752	14.3 0.563	19.1 0.752	92.1 3.625	17.5 0.689	42.9 1.689	14.0 0.551	M12 1/2	1.1 2.5
	1 7/8	SUCSFLY207-23/F	SUC207-23/F														

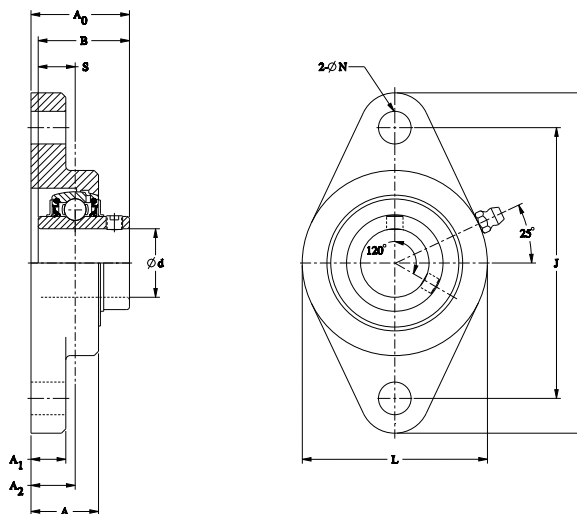


# STAINLESS STEEL HOUSING WITH STAINLESS STEEL BALL BEARING INSERTS

## STAINLESS STEEL TWO-BOLT Y-SERIES FLANGED MOUNTED BEARINGS



These units can be ordered with IP69K rated seal and/or QuiKlean housing type. No lubrication hole and no grease fitting with IP69K.

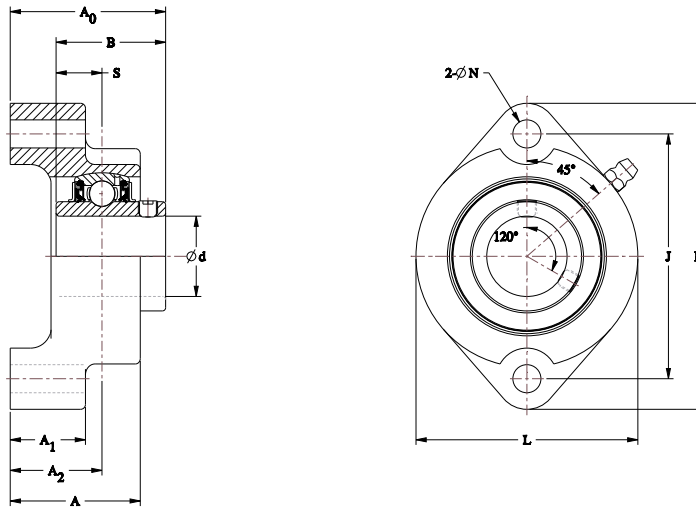


Shaft Dia. d		Two-Bolt Flange Designation	Bearing Designation	Basic Load Ratings		Dimensions										Bolt Size	Wt.
				Dynamic	Static	H	J	A	A <sub>0</sub>	A <sub>1</sub>	A <sub>2</sub>	L	S	B	N		
				C <sub>r</sub>	C <sub>0r</sub>	mm in.	mm in.	mm in.	mm in.	mm in.	mm in.	mm in.	mm in.	mm in.	mm in.		
40	1 1/2	SUCSFLY208-24/F	SUC208-24/F	24.8 5575	14.3 3215	172.2 6.781	143.7 5.656	35.7 1.406	51.2 2.016	14.3 0.563	21.0 0.827	101.6 4.000	19.0 0.748	49.2 1.937	14.0 0.551	M12 1/2	1.3 3.0
		SUCSFLY208/F	SUC208/F														
45	1 11/16	SUCSFLY209-27/F	SUC209-27/F	27.8 6250	16.2 3642	177.0 6.969	148.4 5.844	38.1 1.500	52.0 2.047	16.0 0.630	21.8 0.858	108.0 4.250	19.0 0.748	49.2 1.937	13.5 0.531	M12 1/2	
		SUCSFLY209/F	SUC209/F														
50	1 5/8	SUCSFLY210-31/F	SUC210-31/F	29.8 6699	18.6 4181	185.8 7.313	157.2 6.188	39.7 1.563	54.4 2.142	15.9 0.626	21.8 0.858	115.9 4.563	19.0 0.748	51.6 2.031	14.0 0.551	M12 1/2	1.7 3.7
		SUCSFLY210/F	SUC210/F														



### STAINLESS STEEL SMALL TWO-BOLT FLANGED MOUNTED BEARINGS WITH QUIKLEAN

These units can be ordered with IP69K rated seal and/or QuiKlean housing type. No lubrication hole and no grease fitting with IP69K.



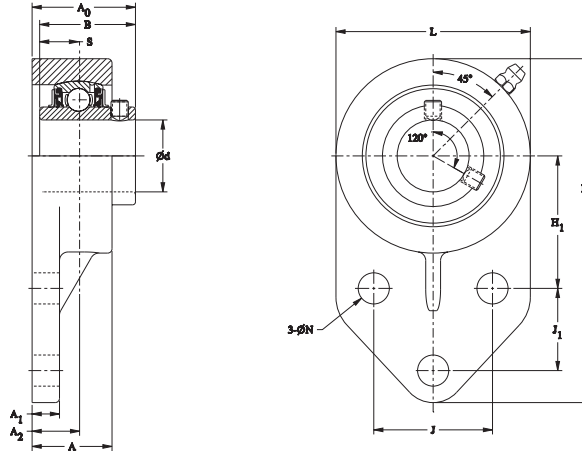
Shaft Dia. d		Two-Bolt Flange Designation	Bearing Designation	Dimensions										Bolt Size	Wt.
				H	J	A	A <sub>0</sub>	A <sub>1</sub>	A <sub>2</sub>	L	S	B	N		
mm	in.			mm in.	mm in.	mm in.	mm in.	mm in.	mm in.	mm in.	mm in.	mm in.	mm in.	mm in.	kg lbs.
20	3/4	SUCSFLSQK204-12/F	SUC204-12/F	90.5 3.562	71.4 2.812	38.9 1.530	46.1 1.814	23.4 0.920	27.8 1.094	61.4 2.418	12.7 0.500	31.0 1.220	8.7 0.344	M8	0.6 1.3
		SUCSFLSQK204/F	SUC204/F												
25		SUCSFLSQK205/F	SUC205/F	95.3 3.750	76.2 3.000	40.5 1.594	48.4 1.905	23.4 0.920	28.6 1.125	69.0 2.718	14.3 0.563	34.1 1.343	8.7 0.344	M8	0.7 1.5
		SUCSFLSQK205/F	SUC205/F												
30	1	SUCSFLSQK206-16/F	SUC206-16/F	112.7 4.437	90.5 3.562	43.7 1.720	52.8 2.077	24.6 0.970	30.6 1.203	78.6 3.094	15.9 0.626	38.1 1.500	10.3 0.406	M10 3/8	1.0 2.1
		SUCSFLSQK206/F	SUC206/F												
35	1 3/16	SUCSFLSQK206-19/F	SUC206-19/F	112.7 4.437	90.5 3.562	43.7 1.720	52.8 2.077	24.6 0.970	30.6 1.203	78.6 3.094	15.9 0.626	38.1 1.500	10.3 0.406	M10 3/8	1.0 2.1
	1 1/4	SUCSFLSQK206-20/F	SUC206-20/F												
	1 1/4	SUCSFLSQK207-20/F	SUC207-20/F	90.5 4.938	71.4 3.938	38.9 1.840	53.2 2.094	23.4 1.000	27.8 1.250	61.4 3.500	17.5 0.689	42.9 1.689	10.3 0.406	M10 3/8	1.4 3.2
	1 3/16	SUCSFLSQK207-23/F	SUC207-23/F												



### STAINLESS STEEL THREE-BOLT FLANGED MOUNTED BEARINGS



These units can be ordered with IP69K rated seal and/or QuiKlean housing type. No lubrication hole and no grease fitting with IP69K.



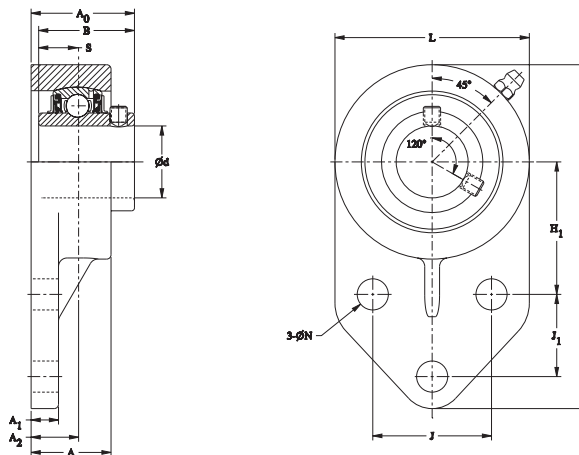
Shaft Dia. d		Three-Bolt Flange Designation	Bearing Designation	Basic Load Ratings		Dimensions											Bolt Size	Wt.	
				Dynamic	Static	H	H <sub>1</sub>	J	J <sub>1</sub>	L	A	A <sub>0</sub>	A <sub>1</sub>	A <sub>2</sub>	S	B			N
				C <sub>r</sub>	C <sub>0r</sub>	mm in.	mm in.	mm in.	mm in.	mm in.	mm in.	mm in.	mm in.	mm in.	mm in.	mm in.			mm in.
20	¾	SUCSFB204-12/F	SUC204-12/F	10.9 2450	5.4 1203	106.9 4.210	42.9 1.688	38.1 1.500	22.2 0.875	61.5 2.420	24.1 0.950	33.4 1.314	8.0 0.313	15.1 0.594	12.7 0.500	31.0 1.220	10.3 0.406	M10 ¾	0.7 1.5
		SUCSFB204/F	SUC204/F																
25	7/8	SUCSFB205-14/F	SUC205-14/F	11.9 2675	6.3 1416	119.6 4.710	46.1 1.813	41.3 1.625	28.6 1.125	67.6 2.660	24.6 0.970	35.9 1.415	9.5 0.375	16.1 0.635	14.3 0.563	34.1 1.343	10.3 0.406	M10 ¾	0.9 1.9
	1 1/16	SUCSFB205-15/F	SUC205-15/F																
	1	SUCSFB205-16/F	SUC205-16/F																
		SUCSFB205/F	SUC205/F																
30	1 1/8	SUCSFB206-18/F	SUC206-18/F	16.5 3709	9.1 2035	136.7 5.380	52.3 2.060	47.6 1.875	31.8 1.253	79.4 3.125	27.1 1.067	38.9 1.533	9.5 0.375	16.7 0.659	15.9 0.626	38.1 1.500	10.3 0.406	M10 ¾	1.2 2.6
		SUCSFB206/F	SUC206/F																
	1 3/16	SUCSFB206-19/F	SUC206-19/F																
	1 1/4	SUCSFB206-20/F	SUC206-20/F																

# STAINLESS STEEL HOUSING WITH STAINLESS STEEL BALL BEARING INSERTS

## STAINLESS STEEL THREE-BOLT FLANGED MOUNTED BEARINGS



These units can be ordered with IP69K rated seal and/or QuiKlean housing type. No lubrication hole and no grease fitting with IP69K.

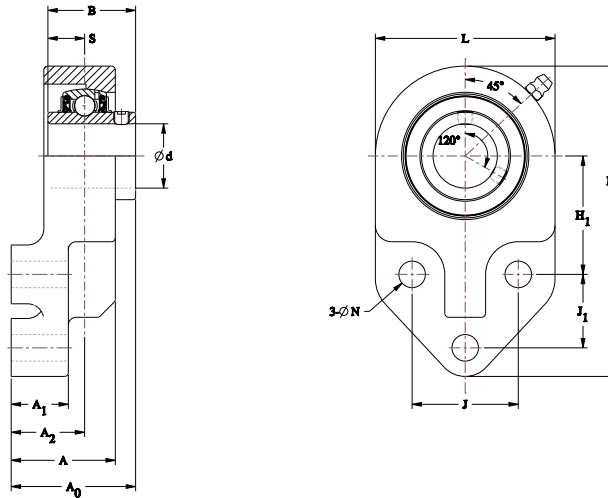


Shaft Dia. d		Three-Bolt Flange Designation	Bearing Designation	Basic Load Ratings		Dimensions											Bolt Size	Wt.		
				Dynamic	Static	H	H <sub>1</sub>	J	J <sub>1</sub>	L	A	A <sub>0</sub>	A <sub>1</sub>	A <sub>2</sub>	S	B			N	
				C <sub>r</sub>	C <sub>0r</sub>	mm	mm	mm	mm	mm	mm	mm	mm	mm	mm	mm			mm	mm
mm	in			kN lbf	kN lbf	mm in.	mm in.	mm in.	mm in.	mm in.	mm in.	mm in.	mm in.	mm in.	mm in.	mm in.	mm in.	mm in.		
	1 ¼	SUCSFB207-20/F	SUC207-20/F	21.8 4901	12.3 2765	152.4 6.000	60.3 2.375	50.8 2.000	31.8 1.250	92.1 3.625	31.1 1.223	45.5 1.792	12.7 0.500	20.1 0.792	17.5 0.689	42.9 1.689	13.5 0.531	M12 ½	1.9 4.2	
	1 ⅝	SUCSFB207-21/F	SUC207-21/F																	
	1 ¾	SUCSFB207-22/F	SUC207-22/F																	
<b>35</b>		<b>SUCSFB207/F</b>	<b>SUC207/F</b>																	
	1 ⅞	SUCSFB207-23/F	SUC207-23/F																	
	1 ½	SUCSFB208-24/F	SUC208-24/F	24.8 5575	14.3 3215	165.1 6.500	65.1 2.563	57.2 2.250	34.9 1.375	101.6 4.000	31.5 1.240	47.7 1.877	12.7 0.500	17.5 0.688	19.0 0.748	49.2 1.937	13.5 0.531	M12 ½	2.1 4.7	
	1 ⅝	SUCSFB208-25/F	SUC208-25/F																	
<b>40</b>		<b>SUCSFB208/F</b>	<b>SUC208/F</b>																	



### STAINLESS STEEL THREE-BOLT FLANGED MOUNTED BEARINGS WITH QUIKLEAN

These units can be ordered with IP69K rated seal and/or QuiKlean housing type. No lubrication hole and no grease fitting with IP69K.



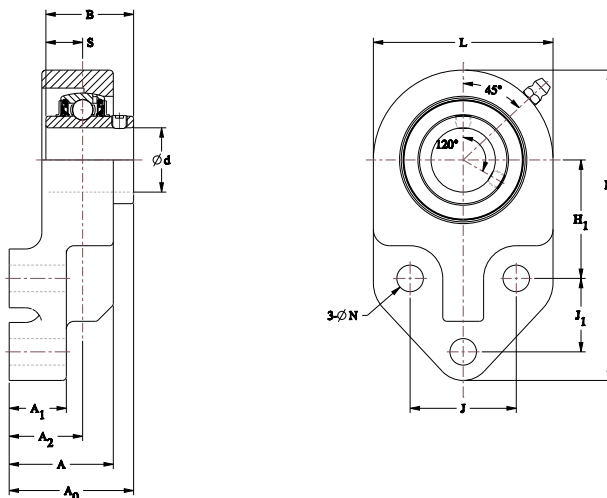
Shaft Dia. d		Three-Bolt Flange Designation	Bearing Designation	Basic Load Ratings		Dimensions											Bolt Size	Wt.	
				Dynamic	Static	H	H <sub>1</sub>	J	J <sub>1</sub>	L	A <sub>0</sub>	A <sub>1</sub>	A	A <sub>2</sub>	S	B			N
				C <sub>r</sub>	C <sub>0r</sub>	mm in.	mm in.	mm in.	mm in.	mm in.	mm in.	mm in.	mm in.	mm in.	mm in.	mm in.			mm in.
20	3/4	SUCSFBQK204-12/F	SUC204-12/F	10.9 2450	5.4 1203	108.0 4.250	42.9 1.688	38.1 1.500	22.4 0.875	63.5 2.500	46.1 1.814	20.7 0.813	38.9 1.531	27.8 1.094	12.7 0.500	31.0 1.220	10.3 0.406	M10 3/8	0.8 1.8
		SUCSFBQK204/F	SUC204/F																
25	7/8	SUCSFBQK205-14/F	SUC205-14/F	11.9 2675	6.3 1416	120.7 4.750	46.0 1.813	41.4 1.625	28.7 1.125	69.9 2.750	48.4 1.905	22.2 0.875	40.5 1.594	28.6 1.125	14.3 0.563	34.1 1.343	11.9 0.469	M10 3/8	1.1 2.3
	1 1/16	SUCSFBQK205-15/F	SUC205-15/F																
		SUCSFBQK205/F	SUC205/F																
30	1	SUCSFBQK205-16/F	SUC205-16/F	16.5 3709	9.1 2035	136.5 5.375	52.4 2.063	47.8 1.875	31.8 1.250	79.4 3.125	52.8 2.077	22.2 0.875	43.7 1.719	30.6 1.203	15.9 0.626	38.1 1.500	11.9 0.469	M10 3/8	1.4 3.0
	1 1/8	SUCSFBQK206-18/F	SUC206-18/F																
	1 3/16	SUCSFBQK206-19/F	SUC206-19/F																
	1 1/4	SUCSFBQK206-20/F	SUC206-20/F																
35	1 1/4	SUCSFBQK207-20/F	SUC207-20/F	21.8 4901	12.3 2765	152.4 6.000	60.5 2.375	50.8 2.000	31.8 1.250	92.1 3.625	57.2 2.250	25.4 1.000	46.8 1.844	31.8 1.250	17.5 0.689	42.9 1.689	13.5 0.531	M12 1/2	2.1 4.6
	1 5/16	SUCSFBQK207-21/F	SUC207-21/F																
	1 3/8	SUCSFBQK207-22/F	SUC207-22/F																
		SUCSFBQK207/F	SUC207/F																
	1 7/16	SUCSFBQK207-23/F	SUC207-23/F																

# STAINLESS STEEL HOUSING WITH STAINLESS STEEL BALL BEARING INSERTS

## STAINLESS STEEL THREE-BOLT FLANGED MOUNTED BEARINGS WITH QUIKLEAN



These units can be ordered with IP69K rated seal and/or QuiKlean housing type. No lubrication hole and no grease fitting with IP69K.

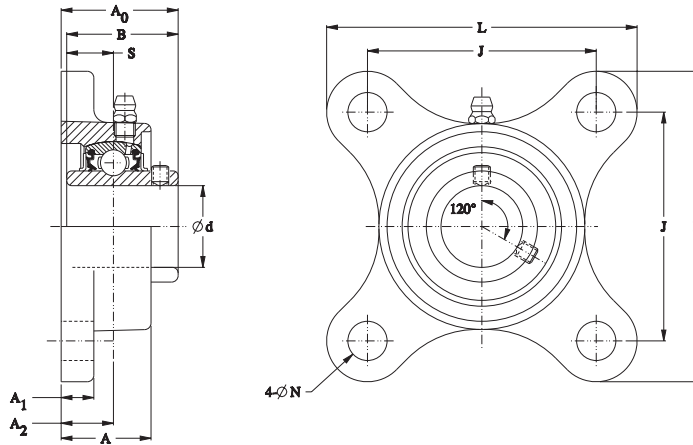


Shaft Dia. d		Three-Bolt Flange Designation	Bearing Designation	Basic Load Ratings		Dimensions											Bolt Size	Wt.	
				Dynamic	Static	H	H <sub>1</sub>	J	J <sub>1</sub>	L	A <sub>0</sub>	A <sub>1</sub>	A	A <sub>2</sub>	S	B			N
				C <sub>r</sub>	C <sub>0r</sub>	mm in.	mm in.	mm in.	mm in.	mm in.	mm in.	mm in.	mm in.	mm in.	mm in.	mm in.			mm in.
<b>40</b>	1 ½	SUCSFBQK208-24/F	SUC208-24/F	24.8 5575	14.3 3215	165.1 6.500	65.0 2.563	57.2 2.250	35.1 1.375	101.6 4.000	63.9 2.517	25.4 1.000	48.4 1.906	33.7 1.328	19.0 0.748	49.2 1.937	13.5 0.531	M12 1/2	2.6 5.6
	1 ⅝	SUCSFBQK208-25/F	SUC208-25/F																
		<b>SUCSFBQK208/F</b>	<b>SUC208/F</b>																
<b>45</b>	1 ⅝	SUCSFBQK209-26/F	SUC209-26/F	27.8 6250	16.2 3642	176.2 6.938	69.9 2.750	63.5 2.500	38.1 1.500	108.0 4.250	64.7 2.548	25.4 1.000	50.8 2.000	34.5 1.359	19.0 0.748	49.2 1.937	13.5 0.531	M12 1/2	3.1 6.9
	1 ⅞	SUCSFBQK209-27/F	SUC209-27/F																
	1 ¾	SUCSFBQK209-28/F	SUC209-28/F																
		<b>SUCSFBQK209/F</b>	<b>SUC209/F</b>																
<b>50</b>	1 ⅞	SUCSFBQK210-30/F	SUC210-30/F	29.8 6699	18.6 4181	188.1 7.406	74.7 2.938	69.9 2.750	41.4 1.625	115.9 4.563	67.1 2.642	25.4 1.000	52.4 2.063	34.5 1.359	19.0 0.748	51.6 2.031	13.5 0.531	M12 1/2	3.5 7.7
	1 ⅞	SUCSFBQK210-31/F	SUC210-31/F																
	2	SUCSFBQK210-32/F	SUC210-32/F																
		<b>SUCSFBQK210/F</b>	<b>SUC210/F</b>																



### STAINLESS STEEL FOUR-BOLT FLANGED MOUNTED BEARINGS

These units can be ordered with IP69K rated seal and/or QuiKlean housing type. No lubrication hole and no grease fitting with IP69K.



Shaft Dia. d		Four-Bolt Flange Designation	Bearing Designation	Basic Load Ratings		Dimensions										Bolt Size	Wt.
				Dynamic	Static	L	J	A	A <sub>0</sub>	A <sub>1</sub>	A <sub>2</sub>	S	B	N			
				C <sub>r</sub>	C <sub>0r</sub>	mm in.	mm in.	mm in.	mm in.	mm in.	mm in.	mm in.	mm in.	mm in.	mm in.		
20	3/4	SUCSF204-12/F	SUC204-12/F	10.9 2450	5.4 1203	86 3.386	64 2.520	26 1.024	33.3 1.311	10 0.394	15 0.591	12.7 0.500	31 1.220	12 0.472	M10 3/8	0.3 0.7	
		SUCSF204/F	SUC204/F														
25	7/8	SUCSF205-14/F	SUC205-14/F	11.9 2675	6.3 1416	95 3.740	70 2.756	27.5 1.083	35.8 1.409	10 0.394	16 0.630	14.3 0.563	34.1 1.343	12 0.472	M10 3/8	0.4 0.9	
	1 1/16	SUCSF205-15/F	SUC205-15/F														
	1	SUCSF205-16/F	SUC205-16/F														
		SUCSF205/F	SUC205/F														
30	1 1/8	SUCSF206-18/F	SUC206-18/F	16.5 3709	9.1 2035	108 4.252	83 3.268	31 1.220	40.2 1.583	10 0.394	18 0.709	15.9 0.626	38.1 1.500	12 0.472	M10 3/8	0.6 1.3	
		SUCSF206/F	SUC206/F														
	1 3/16	SUCSF206-19/F	SUC206-19/F														
35	1 1/4	SUCSF206-20/F	SUC206-20/F	21.8 4901	12.3 2765	117 4.606	92 3.622	34 1.339	44.4 1.748	11 0.433	19 0.748	17.5 0.689	42.9 1.689	14 0.551	M12 7/16	0.8 1.8	
	1 1/4	SUCSF207-20/F	SUC207-20/F														
	1 5/16	SUCSF207-21/F	SUC207-21/F														
	1 3/8	SUCSF207-22/F	SUC207-22/F														
		SUCSF207/F	SUC207/F														
	1 7/16	SUCSF207-23/F	SUC207-23/F														

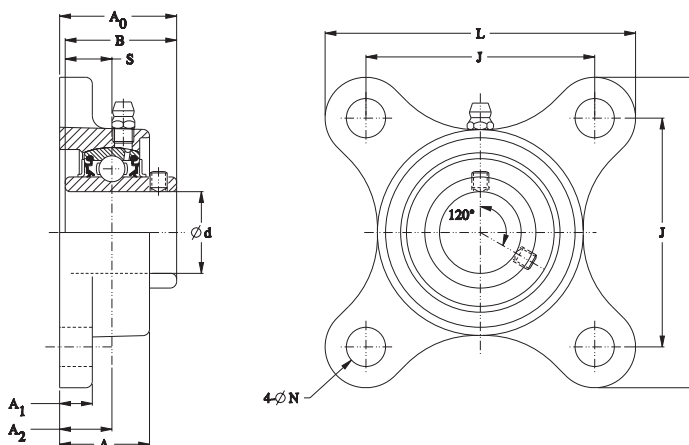


# STAINLESS STEEL HOUSING WITH STAINLESS STEEL BALL BEARING INSERTS

## STAINLESS STEEL FOUR-BOLT FLANGED MOUNTED BEARINGS



These units can be ordered with IP69K rated seal and/or QuiKlean housing type. No lubrication hole and no grease fitting with IP69K.

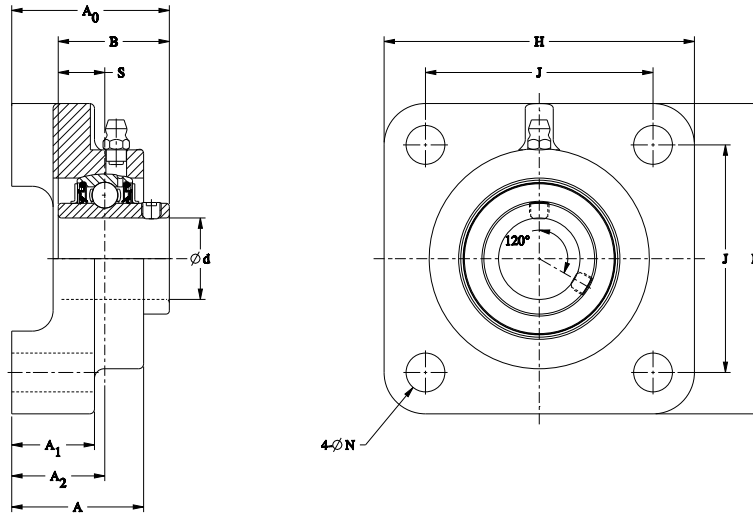


Shaft. Dia. d		Four-Bolt Flange Designation	Bearing Designation	Basic Load Ratings		Dimensions									Bolt Size	Wt. kg lbs
				Dynamic	Static	L	J	A	A <sub>0</sub>	A <sub>1</sub>	A <sub>2</sub>	S	B	N		
				C <sub>r</sub>	C <sub>0r</sub>											
mm	in					mm in.	mm in.	mm in.	mm in.	mm in.	mm in.	mm in.	mm in.	mm in.	mm in.	
	1 ½	SUCSF208-24/F	SUC208-24/F	<b>24.8</b> 5575	<b>14.3</b> 3215	<b>130</b> 5.118	<b>102</b> 4.016	<b>36</b> 1.417	<b>51.2</b> 2.016	<b>12</b> 0.472	<b>21</b> 0.827	<b>19</b> 0.748	<b>49.2</b> 1.937	<b>16</b> 0.630	<b>M14</b> ½	<b>1.0</b> 2.1
	1 ¾	SUCSF208-25/F	SUC208-25/F													
<b>40</b>		<b>SUCSF208/F</b>	<b>SUC208/F</b>													
	1 ⅝	SUCSF209-26/F	SUC209-26/F	<b>27.8</b> 6250	<b>16.2</b> 3642	<b>137</b> 5.394	<b>105</b> 4.134	<b>38</b> 1.496	<b>52.2</b> 2.055	<b>13</b> 0.512	<b>22</b> 0.866	<b>19</b> 0.748	<b>49.2</b> 1.937	<b>16</b> 0.630	<b>M14</b> ½	<b>1.1</b> 2.5
	1 ⅞	SUCSF209-27/F	SUC209-27/F													
	1 ¾	SUCSF209-28/F	SUC209-28/F													
<b>45</b>		<b>SUCSF209/F</b>	<b>SUC209/F</b>													
	1 ⅞	SUCSF210-30/F	SUC210-30/F	<b>29.8</b> 6699	<b>18.6</b> 4181	<b>143</b> 5.630	<b>111</b> 4.370	<b>40</b> 1.575	<b>54.6</b> 2.150	<b>13</b> 0.512	<b>22</b> 0.866	<b>19</b> 0.748	<b>51.6</b> 2.031	<b>16</b> 0.630	<b>M14</b> ½	<b>1.3</b> 2.8
	1 ¾	SUCSF210-31/F	SUC210-31/F													
<b>50</b>		<b>SUCSF210/F</b>	<b>SUC210/F</b>													
	2	SUCSF210-32/F	SUC210-32/F													



### STAINLESS STEEL FOUR-BOLT FLANGED MOUNTED BEARINGS WITH QUIKLEAN

These units can be ordered with IP69K rated seal and/or QuiKlean housing type. No lubrication hole and no grease fitting with IP69K.



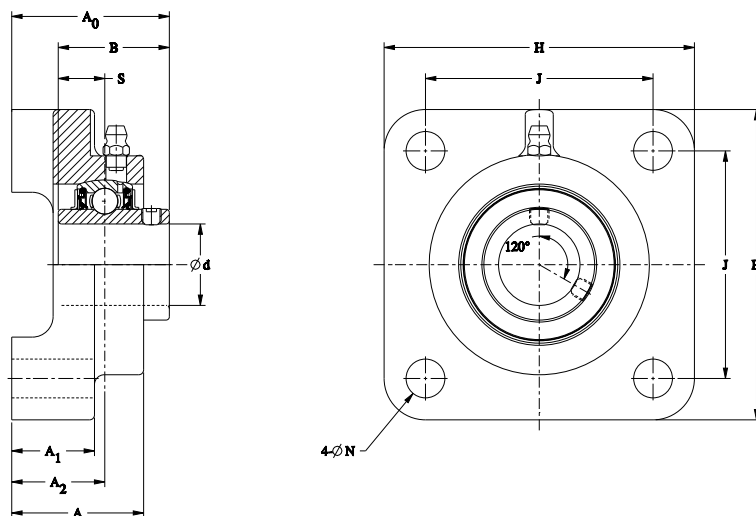
Shaft Dia. d		Four-Bolt Flange Designation	Bearing Designation	Basic Load Ratings		Dimensions									Bolt Size	Wt.
				Dynamic	Static	L	J	A	A <sub>0</sub>	A <sub>1</sub>	A <sub>2</sub>	S	B	N		
				C <sub>r</sub>	C <sub>0r</sub>	mm in.	mm in.	mm in.	mm in.	mm in.	mm in.	mm in.	mm in.	mm in.		
20	3/4	SUCSFQK204-12/F	SUC204-12/F	10.9 2450	5.4 1203	85.9 3.375	63.5 2.500	38.9 1.531	59.5 2.344	23.8 0.938	27.8 1.094	12.7 0.500	31.0 1.220	10.3 0.406	M10 3/8	1.0 2.1
		SUCSFQK204/F	SUC204/F													
25	7/8	SUCSFQK205-14/F	SUC205-14/F	11.9 2675	6.3 1416	95.3 3.750	69.9 2.750	40.5 1.594	66.7 2.625	25.4 1.000	28.6 1.125	14.3 0.563	34.1 1.343	11.9 0.469	M10 7/16	1.2 2.7
	1 1/8	SUCSFQK205-15/F	SUC205-15/F													
		SUCSFQK205/F	SUC205/F													
30	1	SUCSFQK205-16/F	SUC205-16/F	16.5 3709	9.1 2035	108.0 4.250	82.6 3.250	43.7 1.719	77.4 3.047	25.4 1.000	30.6 1.203	15.9 0.626	38.1 1.500	11.9 0.469	M10 7/16	1.7 3.7
	1 1/8	SUCSFQK206-18/F	SUC206-18/F													
		SUCSFQK206/F	SUC206/F													
35	1 1/4	SUCSFQK206-19/F	SUC206-19/F	21.8 4901	12.3 2765	120.7 4.750	92.2 3.625	46.8 1.844	87.5 3.438	27.0 1.063	31.8 1.250	17.5 0.689	42.9 1.689	13.5 0.531	M12 1/2	2.4 5.3
	1 1/4	SUCSFQK206-20/F	SUC206-20/F													
	1 3/8	SUCSFQK207-20/F	SUC207-20/F													
	1 3/8	SUCSFQK207-21/F	SUC207-21/F													
		SUCSFQK207-22/F	SUC207-22/F													
	SUCSFQK207-23/F	SUC207-23/F														

# STAINLESS STEEL HOUSING WITH STAINLESS STEEL BALL BEARING INSERTS

## STAINLESS STEEL FOUR-BOLT FLANGED MOUNTED BEARINGS WITH QUIKLEAN



These units can be ordered with IP69K rated seal and/or QuiKlean housing type. No lubrication hole and no grease fitting with IP69K.

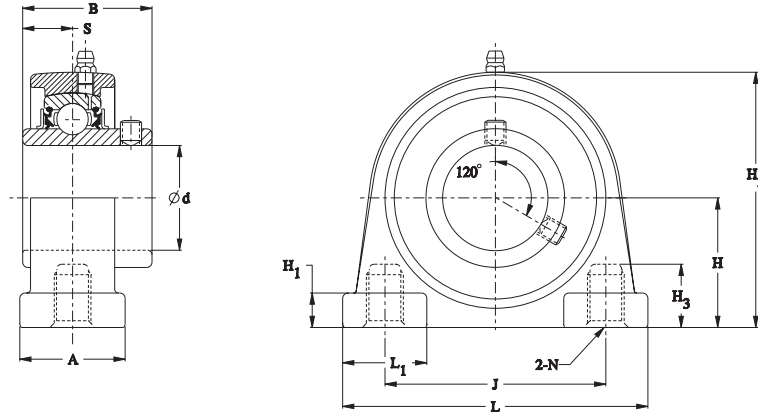


Shaft Dia. d		Four-Bolt Flange Designation	Bearing Designation	Basic Load Ratings		Dimensions								Bolt Size	Wt.	
				Dynamic	Static	L	J	A	A <sub>0</sub>	A <sub>1</sub>	A <sub>2</sub>	S	B			N
				C <sub>r</sub>	C <sub>0r</sub>	mm in.	mm in.	mm in.	mm in.	mm in.	mm in.	mm in.	mm in.			mm in.
40	1 1/2	SUCSFQK208-24/F	SUC208-24/F	24.8 5575	14.3 3215	130.3 5.125	101.6 4.000	48.4 1.906	94.9 3.735	27.0 1.063	33.7 1.328	19.0 0.748	49.2 1.937	13.5 0.531	M12 1/2	2.8 6.2
	1 5/8	SUCSFQK208-25/F	SUC208-25/F													
		<b>SUCSFQK208/F</b>	<b>SUC208/F</b>													
45	1 5/8	SUCSFQK209-26/F	SUC209-26/F	27.8 6250	16.2 3642	133.4 5.250	104.9 4.125	50.8 2.000	99.0 3.891	28.6 1.125	34.5 1.359	19.0 0.748	49.2 1.937	13.5 0.531	M12 1/2	3.3 7.2
	1 11/16	SUCSFQK209-27/F	SUC209-27/F													
	1 3/4	SUCSFQK209-28/F	SUC209-28/F													
		<b>SUCSFQK209/F</b>	<b>SUC209/F</b>													
50	1 7/8	SUCSFQK210-30/F	SUC210-30/F	29.8 6699	18.6 4181	139.7 5.500	111.3 4.375	52.4 2.063	105.4 4.141	28.6 1.125	34.5 1.359	19.0 0.748	51.6 2.031	13.5 0.531	M12 1/2	3.7 8.1
	1 15/16	SUCSFQK210-31/F	SUC210-31/F													
	2	SUCSFQK210-32/F	SUC210-32/F													



### STAINLESS STEEL TAPPED-BASE MOUNTED BEARINGS

These units can be ordered with IP69K rated seal. No lubrication hole and no grease fitting with IP69K.



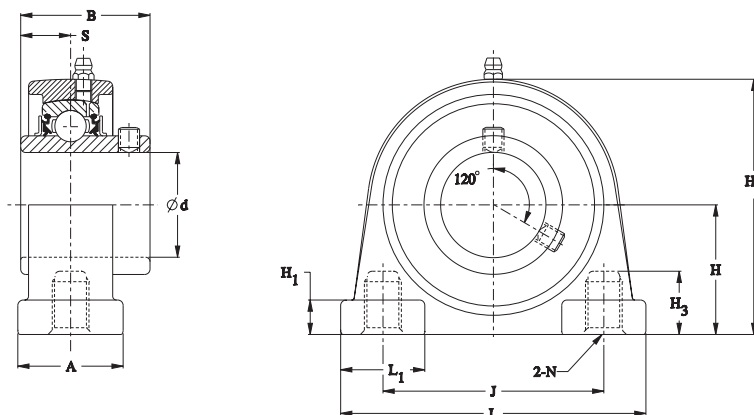
Shaft Dia. d		Tapped Base Designation	Bearing Designation	Basic Load Ratings		Dimensions										Bolt Size N	Wt.
				Dynamic	Static	H	L	L <sub>1</sub>	A	J	H <sub>1</sub>	H <sub>2</sub>	H <sub>3</sub>	S	B		
				C <sub>r</sub>	C <sub>0r</sub>	mm	mm	mm	mm	mm	mm	mm	mm	mm	mm		
mm	in			kN	kN	mm	mm	mm	mm	mm	mm	mm	mm	mm	mm	mm	kg
	¾	SUCSTB204-12/F	SUC204-12/F	10.9	5.4	30.2	76	22	30	52	10	60	18	12.7	31	M10x1.5	0.5
20		SUCSTB204/F	SUC204/F	2450	1203	1.189	2.992	0.866	1.181	2.047	0.394	2.362	0.709	0.500	1.220		1.1
	7/8	SUCSTB205-14/F	SUC205-14/F	11.9	6.3	36.5	84	24	30	56	12	69	18	14.3	34.1	M10x1.5	0.6
	15/16	SUCSTB205-15/F	SUC205-15/F														
	1	SUCSTB205-16/F	SUC205-16/F														
25		SUCSTB205/F	SUC205/F	2675	1416	1.437	3.307	0.945	1.181	2.205	0.472	2.717	0.709	0.563	1.343		1.3
	1 1/8	SUCSTB206-18/F	SUC206-18/F	16.5	9.1	42.9	94	28	36	66	12	81	24	15.9	38.1	M14x2.0	0.9
30		SUCSTB206/F	SUC206/F														
	1 3/16	SUCSTB206-19/F	SUC206-19/F														
	1 1/4	SUCSTB206-20/F	SUC206-20/F														
	1 1/4	SUCSTB207-20/F	SUC207-20/F	21.8	12.3	47.6	110	30	38	80	13	91	27	17.5	42.9	M14x2.0	1.3
	1 3/8	SUCSTB207-21/F	SUC207-21/F														
	1 3/8	SUCSTB207-22/F	SUC207-22/F														
35		SUCSTB207/F	SUC207/F														
	1 7/8	SUCSTB207-23/F	SUC207-23/F														
				4901	2765	1.874	4.331	1.181	1.496	3.150	0.512	3.583	1.063	0.689	1.689		2.9

# STAINLESS STEEL HOUSING WITH STAINLESS STEEL BALL BEARING INSERTS

## STAINLESS STEEL TAPPED-BASE MOUNTED BEARINGS



These units can be ordered with IP69K rated seal. No lubrication hole and no grease fitting with IP69K.



Shaft Dia. d		Tapped Base Designation	Bearing Designation	Basic Load Ratings		Dimensions										Bolt Size N	Wt.
				Dynamic	Static	H	L	L <sub>1</sub>	A	J	H <sub>1</sub>	H <sub>2</sub>	H <sub>3</sub>	S	B		
				C <sub>r</sub>	C <sub>0r</sub>	mm	mm	mm	mm	mm	mm	mm	mm	mm	mm		
mm	in			kN	kN	mm	mm	mm	mm	mm	mm	mm	mm	mm	mm	mm	kg
	1 ½	SUCSTB208-24/F	SUC208-24/F	24.8 5575	14.3 3215	49.2 1.937	116 4.567	32 1.260	40 1.575	84 3.307	13 0.512	97 3.819	27 1.063	19 0.748	49.2 1.937	M14x2.0	1.6
	1 ⅝	SUCSTB208-25/F	SUC208-25/F														3.5
<b>40</b>		<b>SUCSTB208/F</b>	<b>SUC208/F</b>														
	1 ⅝	SUCSTB209-26/F	SUC209-26/F	27.8 6250	16.2 3642	54.2 2.134	120 4.724	32 1.260	40 1.575	90 3.543	13 0.512	104 4.094	31 1.220	19 0.748	49.2 1.937	M14x2.0	1.8
	1 ⅞	SUCSTB209-27/F	SUC209-27/F														4.0
	1 ¾	SUCSTB209-28/F	SUC209-28/F														
<b>45</b>		<b>SUCSTB209/F</b>	<b>SUC209/F</b>														
	1 ⅞	SUCSTB210-30/F	SUC210-30/F	29.8 6699	18.6 4181	57.2 2.252	130 5.118	36 1.417	45 1.772	94 3.701	14 0.551	111 4.370	31 1.220	19 0.748	51.6 2.031	M16x2.0	2.3
	1 ⅞	SUCSTB210-31/F	SUC210-31/F														5.1
	2	SUCSTB210-32/F	SUC210-32/F														
<b>50</b>		<b>SUCSTB210/F</b>	<b>SUC210/F</b>														

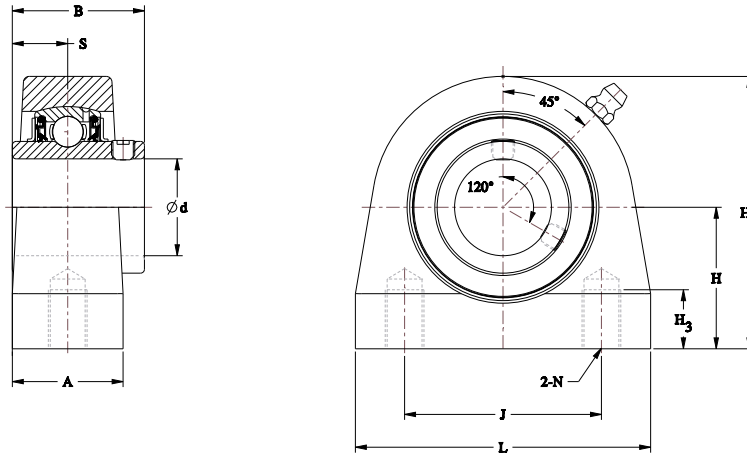
# STAINLESS STEEL HOUSING WITH STAINLESS STEEL BALL BEARING INSERTS

## STAINLESS STEEL TAPPED-BASE Y-SERIES (IMPERIAL THREAD) MOUNTED BEARINGS



### STAINLESS STEEL TAPPED-BASE Y-SERIES (IMPERIAL THREAD) MOUNTED BEARINGS

These units can be ordered with IP69K rated seal. No lubrication hole and no grease fitting with IP69K.

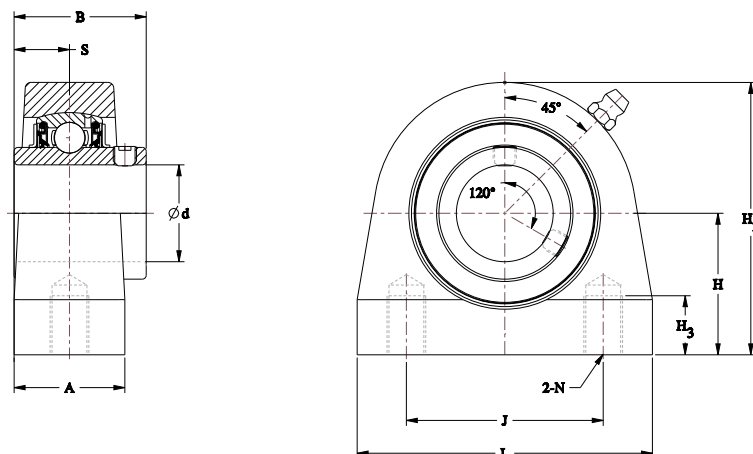


Shaft Dia. d		Tapped Base Designation	Bearing Designation	Basic Load Ratings		Dimensions								Bolt Size N	Wt.
				Dynamic	Static	H	L	A	J	H <sub>2</sub>	H <sub>3</sub>	S	B		
				C <sub>r</sub>	C <sub>0r</sub>										
mm	in			kN lbf	kN lbf	mm in.	mm in.	mm in.	mm in.	mm in.	mm in.	mm in.	mm in.	in.	kg lbs
20	3/4	SUCSTBY204-12/F	SUC204-12/F	10.9 2450	5.4 1203	33.3 1.313	73.2 2.880	29.0 1.142	50.8 2.000	64.1 2.523	14.3 0.563	12.7 0.500	31.0 1.220	3/8-16	0.6 1.2
		SUCSTBY204/F	SUC204/F												
25	7/8	SUCSTBY205-14/F	SUC205-14/F	11.9 2675	6.3 1416	36.6 1.438	76.2 3.000	28.6 1.125	50.8 2.000	70.3 2.768	14.3 0.563	14.3 0.563	34.1 1.343	3/8-16	0.6 1.4
	1 1/16	SUCSTBY205-15/F	SUC205-15/F												
	1	SUCSTBY205-16/F	SUC205-16/F												
		SUCSTBY205/F	SUC205/F												
30	1 1/8	SUCSTBY206-18/F	SUC206-18/F	16.5 3709	9.1 2035	42.9 1.688	101.6 4.000	37.3 1.470	76.2 3.000	82.6 3.250	19.1 0.750	15.9 0.626	38.1 1.500	7/16-14	1.2 2.6
	1 3/16	SUCSTBY206-19/F	SUC206-19/F												
	1 1/4	SUCSTBY206-20/F	SUC206-20/F												
35	1 1/4	SUCSTBY207-20/F	SUC207-20/F	21.8 4901	12.3 2765	47.6 1.875	108.0 4.250	37.3 1.470	82.6 3.250	93.7 3.688	19.1 0.750	17.5 0.689	42.9 1.689	1/2-13	1.6 3.4
	1 5/16	SUCSTBY207-21/F	SUC207-21/F												
	1 3/8	SUCSTBY207-22/F	SUC207-22/F												
		SUCSTBY207/F	SUC207/F												
40	1 7/16	SUCSTBY207-23/F	SUC207-23/F	24.8 5575	14.3 3215	49.3 1.938	117.6 4.630	41.4 1.630	88.9 3.500	100.0 3.938	19.1 0.750	19.0 0.748	49.2 1.937	1/2-13	1.9 4.1
	1 1/2	SUCSTBY208-24/F	SUC208-24/F												
	1 5/8	SUCSTBY208-25/F	SUC208-25/F												
		SUCSTBY208/F	SUC208/F												



# STAINLESS STEEL TAPPED-BASE Y-SERIES (METRIC THREAD) MOUNTED BEARINGS

These units can be ordered with IP69K rated seal. No lubrication hole and no grease fitting with IP69K.

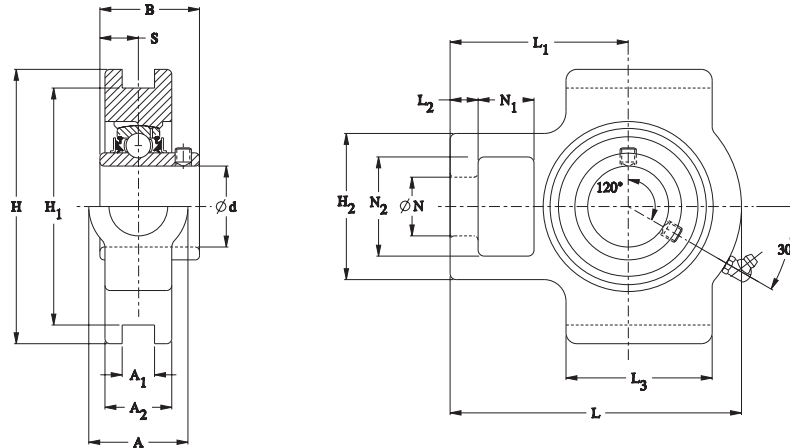


Shaft Dia. d		Tapped Base Designation	Bearing Designation	Basic Load Ratings		Dimensions								Bolt Size N	Wt.
				Dynamic	Static	H	L	A	J	H <sub>2</sub>	H <sub>3</sub>	S	B		
				C <sub>r</sub>	C <sub>0r</sub>	mm in.	mm in.	mm in.	mm in.	mm in.	mm in.	mm in.	mm in.		
<b>mm</b>	<b>in</b>			<b>kN</b>	<b>kN</b>	<b>mm</b>	<b>mm</b>	<b>mm</b>	<b>mm</b>	<b>mm</b>	<b>mm</b>	<b>mm</b>	<b>mm</b>	<b>mm</b>	<b>kg</b>
				<b>lbf</b>	<b>lbf</b>	<b>in.</b>	<b>in.</b>	<b>in.</b>	<b>in.</b>	<b>in.</b>	<b>in.</b>	<b>in.</b>	<b>in.</b>	<b>mm</b>	<b>lbs</b>
20	¾	SUCSTBYM204-12/F	SUC204-12/F	10.9 2450	5.4 1203	33.3 1.313	73.2 2.880	29.0 1.142	50.8 2.000	64.1 2.523	15.0 0.591	12.7 0.500	31.0 1.220	M8x1.25	0.55
		SUCSTBYM204/F	SUC204/F												1.2
25	7/8	SUCSTBYM205-14/F	SUC205-14/F	11.9 2675	6.3 1416	36.6 1.438	76.2 3.000	28.6 1.125	50.8 2.000	70.3 2.768	18.0 0.709	14.3 0.563	34.1 1.343	M10x1.5	0.64
		SUCSTBYM205-15/F	SUC205-15/F												1.4
	1	SUCSTBYM205-16/F	SUC205-16/F												
		SUCSTBYM205/F	SUC205/F												
30	1 1/8	SUCSTBYM206-18/F	SUC206-18/F	16.5 3709	9.1 2035	42.9 1.688	101.6 4.000	37.3 1.470	76.2 3.000	82.6 3.250	18.0 0.709	15.9 0.626	38.1 1.500	M10x1.5	1.19
		SUCSTBYM206/F	SUC206/F												2.6
	1 3/8	SUCSTBYM206-19/F	SUC206-19/F												
	1 1/4	SUCSTBYM206-20/F	SUC206-20/F												
35	1 1/4	SUCSTBYM207-20/F	SUC207-20/F	21.8 4901	12.3 2765	47.6 1.875	108.0 4.250	37.3 1.470	82.6 3.250	93.7 3.688	18.0 0.709	17.5 0.689	42.9 1.689	M10x1.5	1.56
		SUCSTBYM207-21/F	SUC207-21/F												3.4
	1 5/8	SUCSTBYM207-22/F	SUC207-22/F												
		SUCSTBYM207/F	SUC207/F												
	1 7/8	SUCSTBYM207-23/F	SUC207-23/F												
40	1 1/2	SUCSTBYM208-24/F	SUC208-24/F	24.8 5575	14.3 3215	49.3 1.938	117.6 4.630	41.4 1.630	88.9 3.500	100.0 3.938	20.0 0.787	19.0 0.748	49.2 1.937	M12x1.75	1.87
		SUCSTBYM208-25/F	SUC208-25/F												4.1
		SUCSTBYM208/F	SUC208/F												

### STAINLESS STEEL TAKE-UP MOUNTED BEARINGS



These units can be ordered with IP69K rated seal. No lubrication hole and no grease fitting with IP69K.

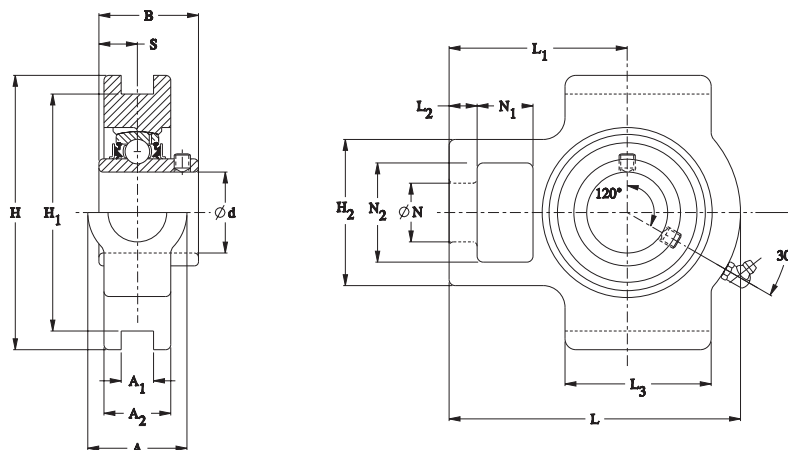


Shaft Dia. d		Take-up Unit Designation	Bearing Designation	Basic Load Ratings		Dimensions														Wt.		
				Dynamic	Static	H	H <sub>1</sub>	H <sub>2</sub>	L	L <sub>1</sub>	L <sub>2</sub>	L <sub>3</sub>	A	A <sub>1</sub>	A <sub>2</sub>	S	B	N	N <sub>1</sub>		N <sub>2</sub>	
				C <sub>r</sub>	C <sub>0r</sub>	mm	mm	mm	mm	mm	mm	mm	mm	mm	mm	mm	mm	mm	mm		mm	mm
<b>20</b>	¾	SUCST204-12/F	SUC204-12/F	<b>10.9</b> 2450	<b>5.4</b> 1203	<b>89</b> 3.504	<b>76</b> 2.992	<b>46</b> 1.811	<b>89</b> 3.504	<b>59</b> 2.323	<b>9</b> 0.354	<b>44</b> 1.732	<b>32</b> 1.260	<b>12</b> 0.472	<b>23</b> 0.906	<b>12.7</b> 0.500	<b>31</b> 1.220	<b>19</b> 0.748	<b>18</b> 0.709	<b>32</b> 1.260	<b>0.7</b> 1.5	
		<b>SUCST204/F</b>	<b>SUC204/F</b>																			
	7/8	SUCST205-14/F	SUC205-14/F	<b>11.9</b> 2675	<b>6.3</b> 1416	<b>89</b> 3.504	<b>76</b> 2.992	<b>46</b> 1.811	<b>93</b> 3.661	<b>60</b> 2.362	<b>9</b> 0.354	<b>44</b> 1.732	<b>32</b> 1.260	<b>12</b> 0.472	<b>25</b> 0.984	<b>14.3</b> 0.563	<b>34.1</b> 1.343	<b>19</b> 0.748	<b>18</b> 0.709	<b>32</b> 1.260	<b>0.8</b> 1.8	
	15/16	SUCST205-15/F	SUC205-15/F																			
	1	SUCST205-16/F	SUC205-16/F																			
<b>25</b>		<b>SUCST205/F</b>	<b>SUC205/F</b>																			
	1 1/8	SUCST206-18/F	SUC206-18/F	<b>16.5</b> 3709	<b>9.1</b> 2035	<b>102</b> 4.016	<b>89</b> 3.504	<b>52</b> 2.047	<b>106</b> 4.173	<b>67</b> 2.638	<b>9</b> 0.354	<b>50</b> 1.969	<b>37</b> 1.457	<b>12</b> 0.472	<b>27</b> 1.063	<b>15.9</b> 0.626	<b>38.1</b> 1.500	<b>22</b> 0.866	<b>18</b> 0.709	<b>37</b> 1.457	<b>1.1</b> 2.4	
	1 3/8	SUCST206-19/F	SUC206-19/F																			
	1 1/4	SUCST206-20/F	SUC206-20/F																			
	1 1/4	SUCST207-20/F	SUC207-20/F	<b>21.8</b> 4901	<b>12.3</b> 2765	<b>102</b> 4.016	<b>89</b> 3.504	<b>56</b> 2.205	<b>119</b> 4.685	<b>75</b> 2.953	<b>11</b> 0.433	<b>56</b> 2.205	<b>37</b> 1.457	<b>12</b> 0.472	<b>31</b> 1.220	<b>17.5</b> 0.689	<b>42.9</b> 1.689	<b>22</b> 0.866	<b>18</b> 0.709	<b>37</b> 1.457	<b>1.5</b> 3.3	
	1 3/8	SUCST207-21/F	SUC207-21/F																			
	1 3/8	SUCST207-22/F	SUC207-22/F																			
<b>35</b>		<b>SUCST207/F</b>	<b>SUC207/F</b>																			
	1 7/8	SUCST207-23/F	SUC207-23/F																			





These units can be ordered with IP69K rated seal. No lubrication hole and no grease fitting with IP69K.



Shaft Dia. d		Take-up Unit Designation	Bearing Designation	Basic Load Ratings		Dimensions														Wt.				
				Dynamic	Static	H	H <sub>1</sub>	H <sub>2</sub>	L	L <sub>1</sub>	L <sub>2</sub>	L <sub>3</sub>	A	A <sub>1</sub>	A <sub>2</sub>	S	B	N	N <sub>1</sub>		N <sub>2</sub>			
				C <sub>r</sub>	C <sub>0r</sub>	mm	mm	mm	mm	mm	mm	mm	mm	mm	mm	mm	mm	mm	mm		mm	mm	mm	
<b>mm</b>	<b>in</b>			<b>kN</b>	<b>kN</b>	<b>mm</b>	<b>mm</b>	<b>mm</b>	<b>mm</b>	<b>mm</b>	<b>mm</b>	<b>mm</b>	<b>mm</b>	<b>mm</b>	<b>mm</b>	<b>mm</b>	<b>mm</b>	<b>mm</b>	<b>mm</b>	<b>mm</b>	<b>mm</b>	<b>mm</b>	<b>mm</b>	<b>kg</b>
	1 ½	SUCST208-24/F	SUC208-24/F	24.8	14.3	114	102	74	135	85	14	64	49	16	32	19	49.2	29	20	49	2.0			
	1 ⅝	SUCST208-25/F	SUC208-25/F	5575	3215	4.488	4.016	2.913	5.315	3.346	0.551	2.520	1.929	0.630	1.260	0.748	1.937	1.142	0.787	1.929	4.4			
<b>40</b>		<b>SUCST208/F</b>	<b>SUC208/F</b>																					
	1 ⅝	SUCST209-26/F	SUC209-26/F																					
	1 ⅞	SUCST209-27/F	SUC209-27/F	27.8	16.2	117	102	74	137	85	14	66	49	16	34	19	49.2	29	20	49	2.1			
	1 ¾	SUCST209-28/F	SUC209-28/F	6250	3642	4.606	4.016	2.913	5.394	3.346	0.551	2.598	1.929	0.630	1.339	0.748	1.937	1.142	0.787	1.929	4.6			
<b>45</b>		<b>SUCST209/F</b>	<b>SUC209/F</b>																					
	1 ⅞	SUCST210-30/F	SUC210-30/F																					
	1 ⅞	SUCST210-31/F	SUC210-31/F	29.8	18.6	117	102	74	143	87	14	72	49	16	35	19	51.6	29	20	49	2.3			
<b>50</b>		<b>SUCST210/F</b>	<b>SUC210/F</b>	6699	4181	4.606	4.016	2.913	5.630	3.425	0.551	2.835	1.929	0.630	1.378	0.748	2.031	1.142	0.787	1.929	5.1			
	2	SUCST210-32/F	SUC210-32/F																					





***HYGIENIC STAINLESS  
STEEL HOUSING WITH  
STAINLESS STEEL BALL  
BEARING INSERTS***

The following topics are covered within this section:

Hygienic Stainless Steel Pillow Block Mounted Bearings . . . . . 82

Hygienic Stainless Steel Two-Bolt Flanged Mounted Bearings . . . . . 84

Hygienic Stainless Steel Three-Bolt Flanged Mounted Bearings . . . . . 86

Hygienic Stainless Steel Four-Bolt Flanged Mounted Bearings . . . . . 88

Hygienic Stainless Steel Piloted Round Flanged Mounted Bearings . . . . . 90

Hygienic Stainless Steel Tapped-Base (Imperial Thread) Mounted Bearings . . . . . 92

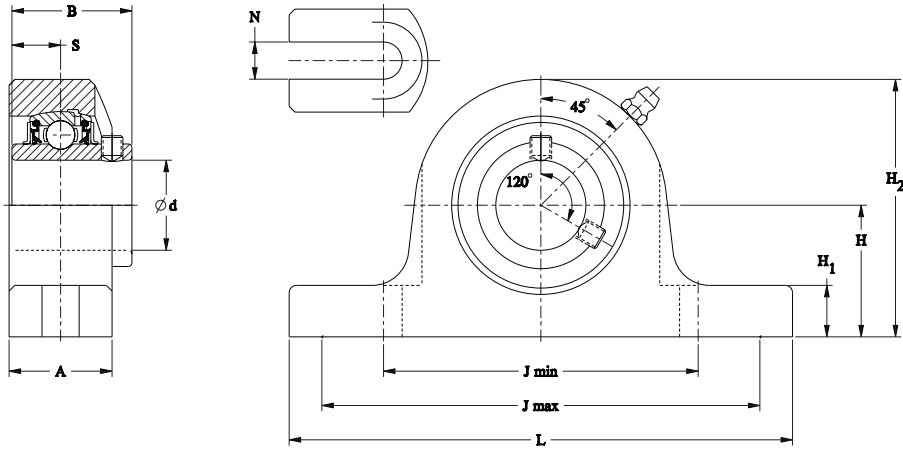
Hygienic Stainless Steel Tapped-Base (Metric Thread) Mounted Bearings . . . . . 94

Hygienic Stainless Steel Take-Up Mounted Bearings . . . . . 96



### HYGIENIC STAINLESS STEEL PILLOW BLOCK MOUNTED BEARINGS

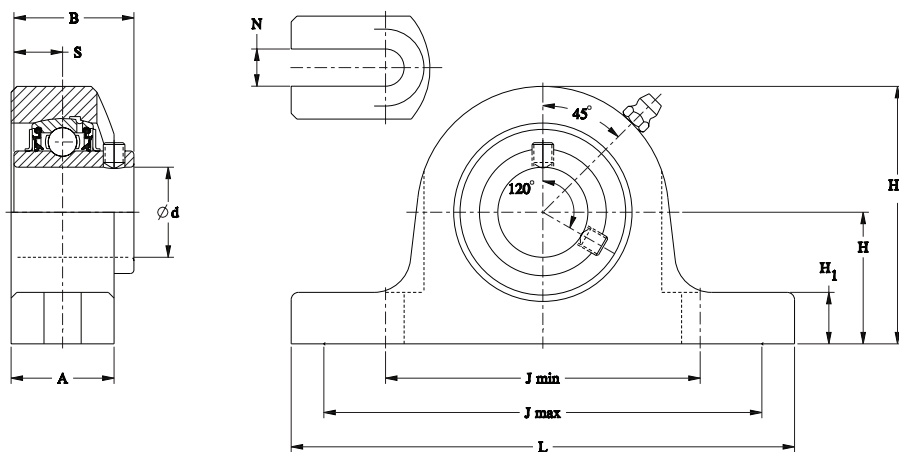
These units can be ordered with IP69K rated seal. No lubrication hole and no grease fitting with IP69K.



Shaft Dia. d		Pillow Block Designation	Bearing Designation	Basic Load Ratings		Dimensions										Bolt Size	Wt.	
				Dynamic	Static	H	L	A	H <sub>1</sub>	J min	J max	H <sub>2</sub>	S	B	N			
				C <sub>r</sub>	C <sub>0r</sub>	mm	mm	mm	mm	mm	mm	mm	mm	mm	mm			mm
mm	in			kN	kN	mm	mm	mm	mm	mm	mm	mm	mm	mm	mm	mm	mm	kg
	¾	SUCAP204-12/F	SUC204-12/F	<b>10.9</b>	<b>5.4</b>	<b>33.3</b>	<b>133.4</b>	<b>28.7</b>	<b>12.7</b>	<b>82.6</b>	<b>111.3</b>	<b>65.0</b>	<b>12.7</b>	<b>31.0</b>	<b>10.3</b>	<b>M10</b>	<b>0.7</b>	
<b>20</b>		<b>SUCAP204/F</b>	<b>SUC204/F</b>	2450	1203	1.313	5.250	1.130	0.500	3.250	4.375	2.560	0.500	1.220	0.406	⅜	1.6	
	⅞	SUCAP205-14/F	SUC205-14/F	<b>11.9</b>	<b>6.3</b>	<b>36.6</b>	<b>139.7</b>	<b>28.7</b>	<b>14.2</b>	<b>87.4</b>	<b>117.6</b>	<b>71.4</b>	<b>14.3</b>	<b>34.1</b>	<b>10.3</b>	<b>M10</b>	<b>0.8</b>	
	1⅙	SUCAP205-15/F	SUC205-15/F															
	1	SUCAP205-16/F	SUC205-16/F															
<b>25</b>		<b>SUCAP205/F</b>	<b>SUC205/F</b>	2675	1416	1.438	5.500	1.130	0.563	3.438	4.625	2.810	0.563	1.343	0.406	⅜	1.8	
	1⅛	SUCAP206-18/F	SUC206-18/F	<b>16.5</b>	<b>9.1</b>	<b>42.9</b>	<b>158.8</b>	<b>37.3</b>	<b>17.5</b>	<b>104.9</b>	<b>130.3</b>	<b>82.6</b>	<b>15.9</b>	<b>38.1</b>	<b>13.5</b>	<b>M12</b>	<b>1.5</b>	
<b>30</b>		<b>SUCAP206/F</b>	<b>SUC206/F</b>															
	1⅜	SUCAP206-19/F	SUC206-19/F															
	1¼	SUCAP206-20/F	SUC206-20/F	3709	2035	1.688	6.248	1.470	0.688	4.126	5.125	3.250	0.626	1.500	0.531	½	3.2	
	1¼	SUCAP207-20/F	SUC207-20/F	<b>21.8</b>	<b>12.3</b>	<b>47.8</b>	<b>166.6</b>	<b>37.3</b>	<b>17.5</b>	<b>119.1</b>	<b>138.2</b>	<b>95.3</b>	<b>17.5</b>	<b>42.9</b>	<b>13.5</b>	<b>M12</b>	<b>1.9</b>	
	1⅝	SUCAP207-21/F	SUC207-21/F															
	1⅝	SUCAP207-22/F	SUC207-22/F															
<b>35</b>		<b>SUCAP207/F</b>	<b>SUC207/F</b>															
	1⅞	SUCAP207-23/F	SUC207-23/F	4901	2765	1.875	6.564	1.470	0.688	4.688	5.438	3.750	0.689	1.689	0.531	½	4.1	



These units can be ordered with IP69K rated seal. No lubrication hole and no grease fitting with IP69K.

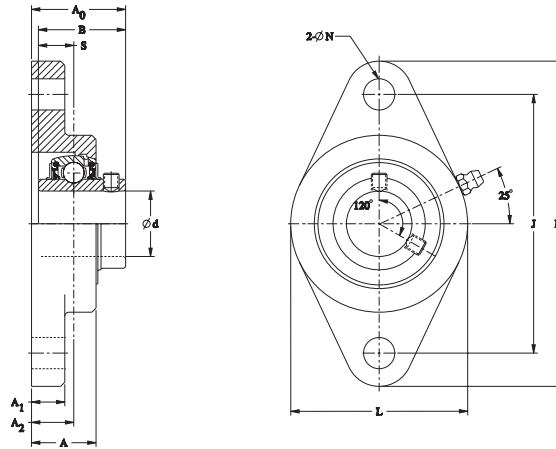


Shaft Dia. d		Pillow Block Designation	Bearing Designation	Basic Load Ratings		Dimensions										Bolt Size	Wt.
				Dynamic	Static	H	L	A	H <sub>1</sub>	J min	J max	H <sub>2</sub>	S	B	N		
				C <sub>r</sub>	C <sub>0r</sub>	mm	mm	mm	mm	mm	mm	mm	mm	mm	mm		
mm	in			kN lbf	kN lbf	mm in.	mm in.	mm in.	mm in.	mm in.	mm in.	mm in.	mm in.	mm in.	mm in.	mm in.	kg lbs
	1 ½	SUCAP208-24/F	SUC208-24/F	24.8 5575	14.3 3215	54.1 2.125	184.2 7.252	41.4 1.630	19.1 0.752	127.0 5.000	155.7 6.126	106.4 4.190	19.0 0.748	49.2 1.937	13.5 0.531	M12 ½	2.6 5.7
<b>40</b>		<b>SUCAP208/F</b>	<b>SUC208/F</b>														
	1 ⅝	SUCAP209-26/F	SUC209-26/F	27.8 6250	16.2 3642	54.1 2.130	189.0 7.438	43.7 1.720	17.5 0.688	134.9 5.313	160.3 6.311	108.0 4.250	19.0 0.748	49.2 1.937	13.5 0.531	M12 ½	2.9 6.5
	1 ⅞	SUCAP209-27/F	SUC209-27/F														
<b>45</b>		<b>SUCAP209/F</b>	<b>SUC209/F</b>														
	2	SUCAP210-30/F	SUC210-30/F	29.8 6699	18.6 4181	57.2 2.252	206.5 8.125	50.0 1.970	19.1 0.752	149.4 5.875	171.5 6.752	114.3 4.500	19.0 0.748	51.6 2.031	16.7 0.656	M16 ¾	3.6 8.0
	1 ⅞	SUCAP210-31/F	SUC210-31/F														
<b>50</b>		<b>SUCAP210/F</b>	<b>SUC210/F</b>														
	2	SUCAP210-32/F	SUC210-32/F														



### HYGIENIC STAINLESS STEEL TWO-BOLT FLANGED MOUNTED BEARINGS

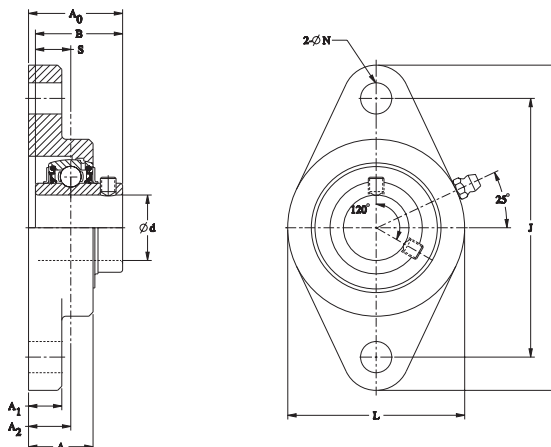
These units can be ordered with IP69K rated seal and/or QuiKlean housing type. No lubrication hole and no grease fitting with IP69K.



Shaft Dia. d		Two-Bolt Flange Designation	Bearing Designation	Basic Load Ratings		Dimensions										Bolt Size	Wt.
				Dynamic	Static	H	J	A	A <sub>0</sub>	A <sub>1</sub>	A <sub>2</sub>	L	S	B	N		
				C <sub>r</sub>	C <sub>0r</sub>	mm in.	mm in.	mm in.	mm in.	mm in.	mm in.	mm in.	mm in.	mm in.	mm in.		
20	3/4	SUCAFL204-12/F	SUC204-12/F	10.9 2450	5.4 1203	112.0 4.407	89.7 3.532	24.1 0.950	33.4 1.315	11.2 0.438	15.1 0.594	61.5 2.421	12.7 0.500	31.0 1.220	10.3 0.406	M10 3/8	0.5 1.1
		SUCAFL204/F	SUC204/F														
25	7/8	SUCAFL205-14/F	SUC205-14/F	11.9 2675	6.3 1416	124.2 4.890	98.8 3.890	24.6 0.970	35.9 1.413	12.7 0.500	16.1 0.634	67.6 2.661	14.3 0.563	34.1 1.343	11.9 0.469	M10 3/8	0.7 1.5
		SUCAFL205-15/F	SUC205-15/F														
		SUCAFL205-16/F	SUC205-16/F														
		SUCAFL205/F	SUC205/F														
30	1	SUCAFL206-18/F	SUC206-18/F	16.5 3709	9.1 2035	142.0 5.594	116.8 4.600	27.2 1.067	38.9 1.531	12.7 0.500	16.7 0.657	79.2 3.118	15.9 0.626	38.1 1.500	11.9 0.469	M10 7/16	1.0 2.3
		SUCAFL206-19/F	SUC206-19/F														
		SUCAFL206-20/F	SUC206-20/F														
35	1 1/4	SUCAFL207-20/F	SUC207-20/F	21.8 4901	12.3 2765	158.8 6.250	130.1 5.124	31.0 1.223	45.5 1.791	14.2 0.563	20.1 0.791	91.9 3.618	17.5 0.689	42.9 1.689	13.5 0.531	M12 7/16	1.5 3.2
		SUCAFL207-21/F	SUC207-21/F														
		SUCAFL207-22/F	SUC207-22/F														
		SUCAFL207-23/F	SUC207-23/F														
		SUCAFL207/F	SUC207/F														



These units can be ordered with IP69K rated seal and/or QuiKlean housing type. No lubrication hole and no grease fitting with IP69K.

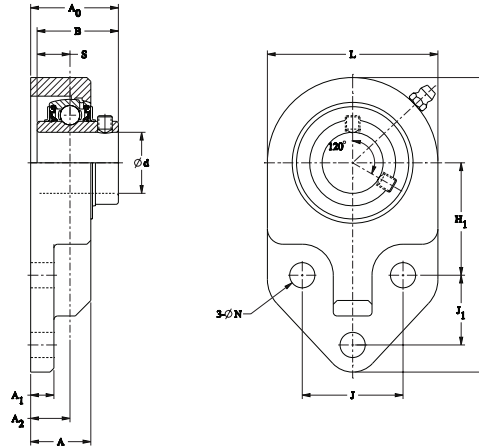


Shaft Dia. d		Two-Bolt Flange Designation	Bearing Designation	Basic Load Ratings		Dimensions										Bolt Size	Wt.
				Dynamic	Static	H	J	A	A <sub>0</sub>	A <sub>1</sub>	A <sub>2</sub>	L	S	B	N		
				C <sub>r</sub>	C <sub>0r</sub>	mm in.	mm in.	mm in.	mm in.	mm in.	mm in.	mm in.	mm in.	mm in.	mm in.		
40	1 ½	SUCAFL208-24/F	SUC208-24/F	24.8 5575	14.3 3215	172.2 6.781	143.8 5.656	31.5 1.240	49.7 1.957	14.2 0.563	19.5 0.768	101.6 4.000	19.0 0.748	49.2 1.937	13.5 0.531	M12 ½	1.8 4.0
	1 ⅝	SUCAFL208-25/F	SUC208-25/F														
		<b>SUCAFL208/F</b>	<b>SUC208/F</b>														
45	1 ⅞	SUCAFL209-26/F	SUC209-26/F	27.8 6250	16.2 3642	172.2 6.780	148.3 5.844	31.5 1.240	49.6 1.953	16.0 0.625	19.4 0.764	108.0 4.252	19.0 0.748	49.2 1.937	13.5 0.531	M12 ½	2.1 4.6
	1 11/16	SUCAFL209-27/F	SUC209-27/F														
	1 ¾	SUCAFL209-28/F	SUC209-28/F														
		<b>SUCAFL209/F</b>	<b>SUC209/F</b>														
50	1 ⅞	SUCAFL210-30/F	SUC210-30/F	29.8 6699	18.6 4181	177.0 6.970	157.2 6.188	31.5 1.240	52.2 2.055	16.0 0.625	19.6 0.772	115.8 4.559	19.0 0.748	51.6 2.031	16.7 0.656	M12 ½	2.3 5.1
	1 15/16	SUCAFL210-31/F	SUC210-31/F														
	2	SUCAFL210-32/F	SUC210-32/F														

### HYGIENIC STAINLESS STEEL THREE-BOLT FLANGED MOUNTED BEARINGS



These units can be ordered with IP69K rated seal and/or QuiKlean housing type. No lubrication hole and no grease fitting with IP69K.



Shaft Dia. d		Three-Bolt Flange Designation	Bearing Designation	Basic Load Ratings		Dimensions											Bolt Size	Wt.	
				Dynamic	Static	H	H <sub>1</sub>	J	J <sub>1</sub>	L	A	A <sub>0</sub>	A <sub>1</sub>	A <sub>2</sub>	S	B			N
				C <sub>r</sub>	C <sub>0r</sub>	mm in.	mm in.	mm in.	mm in.	mm in.	mm in.	mm in.	mm in.	mm in.	mm in.	mm in.			mm in.
20	¾	SUCAFB204-12/F	SUC204-12/F	10.9 2450	5.4 1203	108.0 4.250	42.9 1.688	38.1 1.500	22.4 0.875	63.5 2.500	24.1 0.950	33.4 1.315	7.9 0.310	15.1 0.594	12.7 0.500	31.0 1.220	10.3 0.406	M10 ¾	0.7 1.5
		SUCAFB204/F	SUC204/F																
25	7/8	SUCAFB205-14/F	SUC205-14/F	11.9 2675	6.3 1416	120.7 4.750	46.0 1.813	41.4 1.625	28.7 1.125	69.9 2.750	24.6 0.970	35.9 1.413	9.7 0.380	16.1 0.634	14.3 0.563	34.1 1.343	10.3 0.406	M10 ¾	0.9 1.9
		SUCAFB205-15/F	SUC205-15/F																
		SUCAFB205-16/F	SUC205-16/F																
		SUCAFB205/F	SUC205/F																
30	1 1/8	SUCAFB206-18/F	SUC206-18/F	16.5 3709	9.1 2035	136.7 5.380	52.3 2.060	47.8 1.875	31.8 1.253	79.2 3.120	27.2 1.067	38.9 1.531	9.7 0.380	16.7 0.657	15.9 0.626	38.1 1.500	10.3 0.406	M10 ¾	1.2 2.6
		SUCAFB206/F	SUC206/F																
		SUCAFB206-19/F	SUC206-19/F																
35	1 1/4	SUCAFB206-20/F	SUC206-20/F	21.8 4901	12.3 2765	152.4 6.000	60.5 2.375	50.8 2.000	31.8 1.250	92.2 3.630	31.0 1.223	45.5 1.791	12.7 0.500	20.1 0.791	17.5 0.689	42.9 1.689	13.5 0.531	M12 ½	1.9 4.2
		SUCAFB207-20/F	SUC207-20/F																
		SUCAFB207-21/F	SUC207-21/F																
		SUCAFB207-22/F	SUC207-22/F																
		SUCAFB207/F	SUC207/F																
	1 7/8	SUCAFB207-23/F	SUC207-23/F																

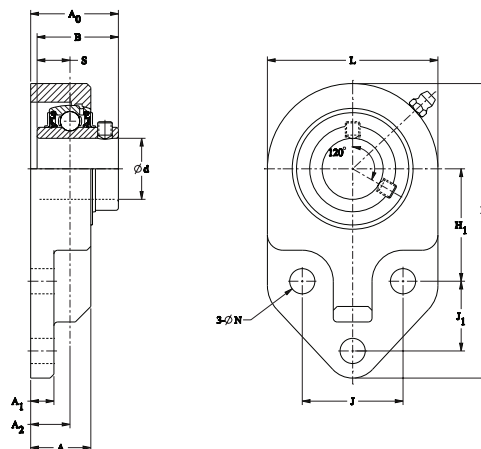


# HYGIENIC STAINLESS STEEL HOUSING WITH STAINLESS STEEL BALL BEARING INSERTS

## HYGIENIC STAINLESS STEEL THREE-BOLT FLANGED MOUNTED BEARINGS



These units can be ordered with IP69K rated seal and/or QuiKlean housing type. No lubrication hole and no grease fitting with IP69K.

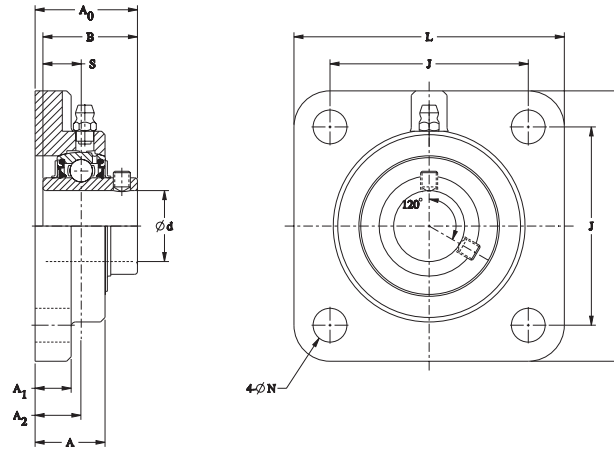


Shaft Dia. d		Three-Bolt Flange Designation	Bearing Designation	Basic Load Ratings		Dimensions											Bolt Size	Wt.	
				Dynamic	Static	H	H <sub>1</sub>	J	J <sub>1</sub>	L	A	A <sub>0</sub>	A <sub>1</sub>	A <sub>2</sub>	S	B			N
				C <sub>r</sub>	C <sub>0r</sub>	mm	mm	mm	mm	mm	mm	mm	mm	mm	mm	mm			mm
mm	in			kN lbf	kN lbf	mm in.	mm in.	mm in.	mm in.	mm in.	mm in.	mm in.	mm in.	mm in.	mm in.	mm in.	mm in.	mm in.	kg lbs
	1 ½	SUCAFB208-24/F	SUC208-24/F	24.8 5575	14.3 3215	165.1 6.500	65.0 2.563	57.2 2.250	35.1 1.375	101.6 4.000	31.5 1.240	49.7 1.957	12.7 0.500	19.5 0.768	19.0 0.748	49.2 1.937	13.5 0.531	M12 ½	2.1 4.7
	1 ⅝	SUCAFB208-25/F	SUC208-25/F																
<b>40</b>		<b>SUCAFB208/F</b>	<b>SUC208/F</b>																
	1 ⅝	SUCAFB209-26/F	SUC209-26/F	27.8 6250	16.2 3642	176.3 6.940	69.9 2.750	63.5 2.500	38.1 1.500	108.0 4.250	31.5 1.240	49.6 1.953	12.7 0.500	19.4 0.764	19.0 0.748	49.2 1.937	13.5 0.531	M12 ½	2.4 5.3
	1 ⅞	SUCAFB209-27/F	SUC209-27/F																
	1 ¾	SUCAFB209-28/F	SUC209-28/F																
<b>45</b>		<b>SUCAFB209/F</b>	<b>SUC209/F</b>																
	1 ⅞	SUCAFB210-30/F	SUC210-30/F	29.8 6699	18.6 4181	188.2 7.410	74.7 2.938	69.9 2.750	41.4 1.625	115.8 4.560	31.5 1.240	52.2 2.055	12.7 0.500	19.6 0.772	19.0 0.748	51.6 2.031	13.5 0.531	M12 ½	2.9 6.3
	1 ⅞	SUCAFB210-31/F	SUC210-31/F																
		<b>SUCAFB210/F</b>	<b>SUC210/F</b>																
<b>50</b>		<b>SUCAFB210/F</b>	<b>SUC210/F</b>																
	2	SUCAFB210-32/F	SUC210-32/F																



### HYGIENIC STAINLESS STEEL FOUR-BOLT FLANGED MOUNTED BEARINGS

These units can be ordered with IP69K rated seal and/or QuiKlean housing type. No lubrication hole and no grease fitting with IP69K.



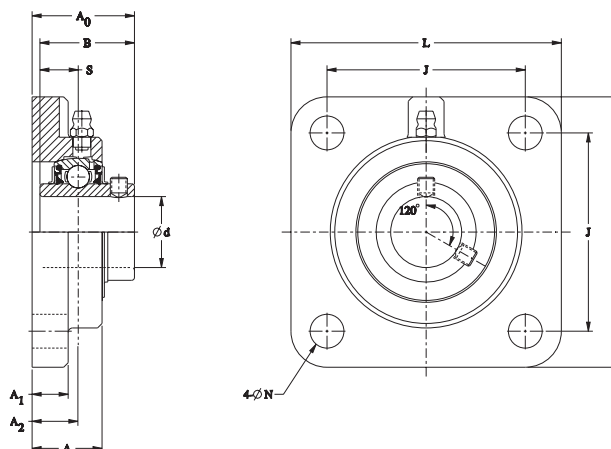
Shaft Dia. d		Four-Bolt Flange Designation	Bearing Designation	Basic Load Ratings		Dimensions									Bolt Size	Wt.			
				Dynamic	Static	L	J	A	A <sub>0</sub>	A <sub>1</sub>	A <sub>2</sub>	S	B	N					
				C <sub>r</sub>	C <sub>0r</sub>	mm	mm	mm	mm	mm	mm	mm	mm	mm			mm		
mm	in			kN	kN	mm	mm	mm	mm	mm	mm	mm	mm	mm	mm	mm	mm	kg	lbs
20	3/4	SUCAF204-12/F	SUC204-12/F	10.9	5.4	85.9	63.5	24.1	33.4	11.2	15.1	12.7	31.0	10.3	M10	0.9			
		SUCAF204/F	SUC204/F	2450	1203	3.375	2.500	0.950	1.315	0.438	0.594	0.500	1.220	0.406	M10	1.9			
	7/8	SUCAF205-14/F	SUC205-14/F	11.9	6.3	95.3	69.9	24.6	35.9	12.7	16.1	14.3	34.1	10.3	M10	2.2			
	15/16	SUCAF205-15/F	SUC205-15/F																
1	SUCAF205-16/F	SUC205-16/F																	
25		SUCAF205/F	SUC205/F																
	1 1/8	SUCAF206-18/F	SUC206-18/F	16.5	9.1	108.0	82.6	27.2	38.9	12.7	16.7	15.9	38.1	10.3	M10	1.4			
		SUCAF206/F	SUC206/F																
1 3/16	SUCAF206-19/F	SUC206-19/F																	
	1 1/4	SUCAF206-20/F	SUC206-20/F																
30	1 1/4	SUCAF207-20/F	SUC207-20/F	21.8	12.3	120.7	92.2	31.0	45.5	14.2	20.1	17.5	42.9	13.5	M12	2.0			
	1 3/8	SUCAF207-21/F	SUC207-21/F																
	1 3/8	SUCAF207-22/F	SUC207-22/F																
		SUCAF207/F	SUC207/F																
	1 7/8	SUCAF207-23/F	SUC207-23/F																
	1 3/4	SUCAF207-23/F	SUC207-23/F	4901	2765	4.753	3.625	1.223	1.791	0.563	0.791	0.689	1.689	0.531	M12	4.4			

# HYGIENIC STAINLESS STEEL HOUSING WITH STAINLESS STEEL BALL BEARING INSERTS

## HYGIENIC STAINLESS STEEL FOUR-BOLT FLANGED MOUNTED BEARINGS



These units can be ordered with IP69K rated seal and/or QuiKlean housing type. No lubrication hole and no grease fitting with IP69K.

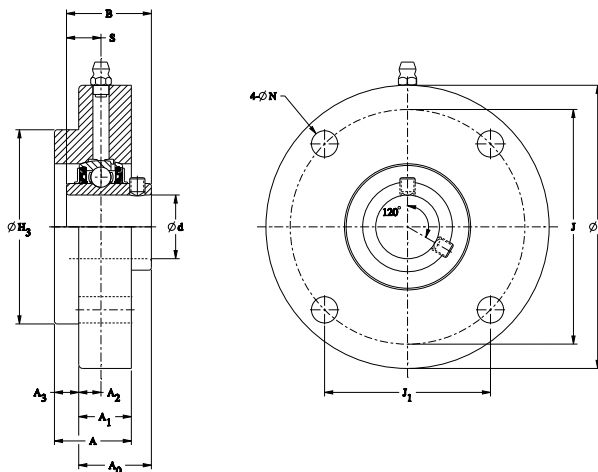


Shaft Dia. d		Four-Bolt Flange Designation	Bearing Designation	Basic Load Ratings		Dimensions									Bolt Size	Wt.
				Dynamic	Static	L	J	A	A <sub>0</sub>	A <sub>1</sub>	A <sub>2</sub>	S	B	N		
				C <sub>r</sub>	C <sub>0r</sub>											
mm	in					mm in.	mm in.	mm in.	mm in.	mm in.	mm in.	mm in.	mm in.	mm in.	mm in.	kg lbs
	1 ½	SUCAF208-24/F	SUC208-24/F	24.8 5575	14.3 3215	130.3 5.125	101.6 4.000	31.5 1.240	49.7 1.957	14.2 0.563	19.5 0.768	19.0 0.748	49.2 1.937	13.5 0.531	M12 ½	2.6 5.7
	1 ⅝	SUCAF208-25/F	SUC208-25/F													
<b>40</b>		<b>SUCAF208/F</b>	<b>SUC208/F</b>													
	1 ⅞	SUCAF209-26/F	SUC209-26/F	27.8 6250	16.2 3642	133.4 5.250	104.9 4.125	31.5 1.240	49.6 1.953	16.0 0.625	19.4 0.764	19.0 0.748	49.2 1.937	13.5 0.531	M12 ½	2.8 6.2
	1 ⅞	SUCAF209-27/F	SUC209-27/F													
	1 ¾	SUCAF209-28/F	SUC209-28/F													
<b>45</b>		<b>SUCAF209/F</b>	<b>SUC209/F</b>													
	1 ⅞	SUCAF210-30/F	SUC210-30/F	29.8 6699	18.6 4181	139.7 5.500	111.3 4.375	31.5 1.240	52.2 2.055	16.0 0.625	19.6 0.772	19.0 0.748	51.6 2.031	13.5 0.531	M12 ½	2.9 6.4
	1 ⅞	SUCAF210-31/F	SUC210-31/F													
<b>50</b>		<b>SUCAF210/F</b>	<b>SUC210/F</b>													
	2	SUCAF210-32/F	SUC210-32/F													





These units can be ordered with IP69K rated seal. No lubrication hole and no grease fitting with IP69K.

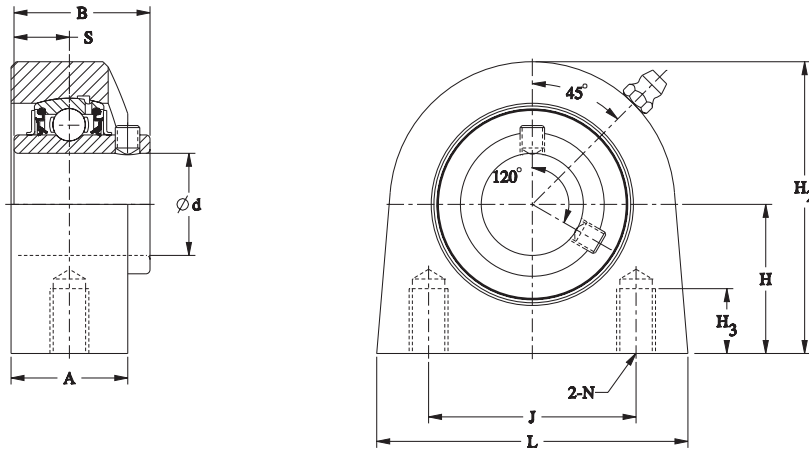


Shaft Dia. d		Piloted Round Flange Designation	Bearing Designation	Basic Load Ratings		Dimensions											Bolt Size	Wt.	
				Dynamic	Static	H <sub>3</sub>	J	J <sub>1</sub>	L	A	A <sub>0</sub>	A <sub>1</sub>	A <sub>2</sub>	A <sub>3</sub>	S	B			N
				C <sub>r</sub>	C <sub>0r</sub>	mm	mm	mm	mm	mm	mm	mm	mm	mm	mm	mm			mm
<b>40</b>	1 ½	SUCAFC208-24/F	SUC208-24/F	24.8 5575	14.3 3215	92.1 3.626	111.1 4.374	78.6 3.094	133.4 5.252	33.4 1.315	38.1 1.500	22.2 0.874	7.9 0.311	11.1 0.437	19.0 0.748	49.2 1.937	11.9 0.469	M12 ½	2.3 5.1
	1 ⅝	SUCAFC208-25/F	SUC208-25/F																
		<b>SUCAFC208/F</b>	<b>SUC208/F</b>																
<b>45</b>	1 ¾	SUCAFC209-26/F	SUC209-26/F	27.8 6250	16.2 3642	92.1 3.626	111.1 4.374	78.6 3.094	133.4 5.252	33.4 1.315	38.1 1.500	22.2 0.874	7.9 0.311	11.1 0.437	19.0 0.748	49.2 1.937	13.5 0.531	M12 ½	2.2 4.9
	1 ⅞	SUCAFC209-27/F	SUC209-27/F																
	2	SUCAFC209-28/F	SUC209-28/F																
		<b>SUCAFC209/F</b>	<b>SUC209/F</b>																
<b>50</b>	2	SUCAFC210-30/F	SUC210-30/F	29.8 6699	18.6 4181	108.0 4.252	130.2 5.126	92.0 3.622	152.4 6.000	38.1 1.500	38.6 1.519	22.2 0.874	6.0 0.236	15.9 0.626	19.0 0.748	51.6 2.031	13.5 0.531	M12 ½	3.4 7.4
	2 ¼	SUCAFC210-31/F	SUC210-31/F																
	2 ½	SUCAFC210-32/F	SUC210-32/F																
		<b>SUCAFC210/F</b>	<b>SUC210/F</b>																



### HYGIENIC STAINLESS STEEL TAPPED-BASE Y-SERIES (IMPERIAL THREAD) MOUNTED BEARINGS

These units can be ordered with IP69K rated seal. No lubrication hole and no grease fitting with IP69K.



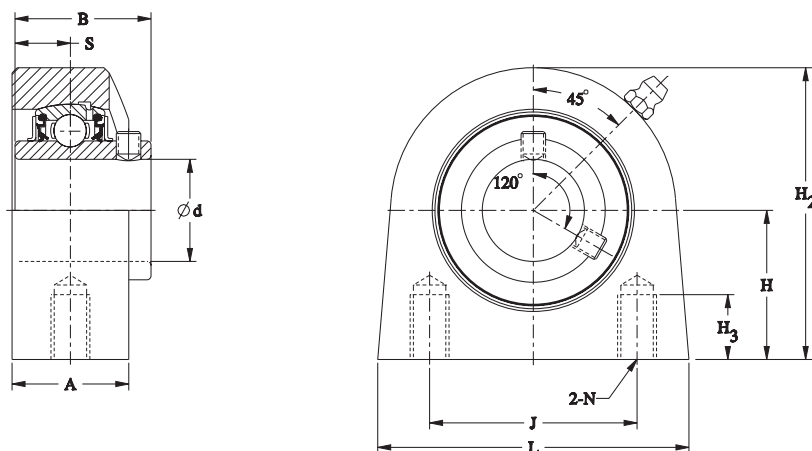
Shaft Dia. d		Tapped Base Designation	Bearing Designation	Basic Load Ratings		Dimensions								Bolt Size N	Wt.
				Dynamic	Static	H	L	A	J	H <sub>2</sub>	H <sub>3</sub>	S	B		
				C <sub>r</sub>	C <sub>0r</sub>										
mm	in			kN lbf	kN lbf	mm in.	mm in.	mm in.	mm in.	mm in.	mm in.	mm in.	mm in.	in.	kg lbs
20	3/4	SUCATBY204-12/F	SUC204-12/F	10.9 2450	5.4 1203	33.3 1.313	73.0 2.875	28.6 1.125	50.8 2.000	64.3 2.532	15.9 0.625	12.7 0.500	31.0 1.220	3/8-16	0.6 1.4
		SUCATBY204/F	SUC204/F												
25	7/8	SUCATBY205-14/F	SUC205-14/F	11.9 2675	6.3 1416	36.5 1.438	76.2 3.000	28.6 1.125	50.8 2.000	71.5 2.813	15.9 0.625	14.3 0.563	34.1 1.343	3/8-16	0.8 1.7
	1 1/16	SUCATBY205-15/F	SUC205-15/F												
	1	SUCATBY205-16/F	SUC205-16/F												
		SUCATBY205/F	SUC205/F												
30	1 1/8	SUCATBY206-18/F	SUC206-18/F	16.5 3709	9.1 2035	42.9 1.688	101.6 4.000	37.3 1.470	76.2 3.000	82.6 3.250	19.1 0.750	15.9 0.626	38.1 1.500	7/16-14	1.4 3.0
	1 3/16	SUCATBY206-19/F	SUC206-19/F												
	1 1/4	SUCATBY206-20/F	SUC206-20/F												
35	1 1/4	SUCATBY207-20/F	SUC207-20/F	21.8 4901	12.3 2765	47.6 1.875	108.0 4.250	37.3 1.470	82.6 3.250	93.7 3.688	19.1 0.750	17.5 0.689	42.9 1.689	1/2-13	1.8 3.9
	1 5/8	SUCATBY207-21/F	SUC207-21/F												
	1 3/8	SUCATBY207-22/F	SUC207-22/F												
		SUCATBY207/F	SUC207/F												
	1 7/8	SUCATBY207-23/F	SUC207-23/F												

# HYGIENIC STAINLESS STEEL HOUSING WITH STAINLESS STEEL BALL BEARING INSERTS

## HYGIENIC STAINLESS STEEL TAPPED-BASE Y-SERIES (IMPERIAL THREAD) MOUNTED BEARINGS



These units can be ordered with IP69K rated seal. No lubrication hole and no grease fitting with IP69K.

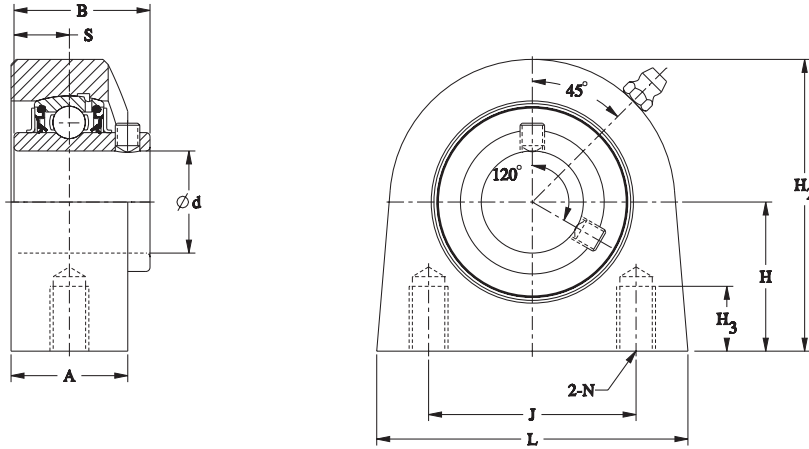


Shaft Dia. d		Tapped Base Designation	Bearing Designation	Basic Load Ratings		Dimensions							Bolt Size N	Wt.	
				Dynamic	Static	H	L	A	J	H <sub>2</sub>	H <sub>3</sub>	S			B
				C <sub>r</sub>	C <sub>0r</sub>	mm	mm	mm	mm	mm	mm	mm			mm
mm	in			kN	kN	mm	mm	mm	mm	mm	mm	mm	mm	in.	kg
	1 1/2	SUCATBY208-24/F	SUC208-24/F	24.8 5575	14.3 3215	49.2 1.938	117.5 4.625	41.3 1.625	88.9 3.500	100.0 3.938	19.1 0.750	19.0 0.748	49.2 1.937	1/2-13	2.1 4.7
	1 5/8	SUCATBY208-25/F	SUC208-25/F												
<b>40</b>		<b>SUCATBY208/F</b>	<b>SUC208/F</b>												
	1 3/8	SUCATBY209-26/F	SUC209-26/F	27.8 6250	16.2 3642	54.0 2.125	127.0 5.000	43.7 1.720	95.3 3.750	108.0 4.250	19.1 0.750	19.0 0.748	49.2 1.937	1/2-13	2.6 5.7
	1 11/16	SUCATBY209-27/F	SUC209-27/F												
<b>45</b>		<b>SUCATBY209/F</b>	<b>SUC209/F</b>												
	1 7/8	SUCATBY210-30/F	SUC210-30/F	29.8 6699	18.6 4181	57.2 2.250	139.7 5.500	50.0 1.970	101.6 4.000	114.3 4.500	22.2 0.875	19.0 0.748	51.6 2.031	3/8-11	3.4 7.4
	1 15/16	SUCATBY210-31/F	SUC210-31/F												
<b>50</b>		<b>SUCATBY210/F</b>	<b>SUC210/F</b>												
	2	SUCATBY210-32/F	SUC210-32/F												



### HYGIENIC STAINLESS STEEL TAPPED-BASE Y-SERIES (METRIC THREAD) MOUNTED BEARINGS

These units can be ordered with IP69K rated seal. No lubrication hole and no grease fitting with IP69K.



Shaft Dia. d		Tapped Base Designation	Bearing Designation	Basic Load Ratings		Dimensions								Bolt Size N	Wt.
				Dynamic	Static	H	L	A	J	H <sub>2</sub>	H <sub>3</sub>	S	B		
				C <sub>r</sub>	C <sub>0r</sub>										
mm	in			kN lbf	kN lbf	mm in.	mm in.	mm in.	mm in.	mm in.	mm in.	mm in.	mm in.	mm	kg lbs
20	¾	SUCATBYM204-12/F	SUC204-12/F	10.9 2450	5.4 1203	33.3 1.313	73.0 2.875	28.6 1.125	50.8 2.000	64.3 2.532	15.9 0.625	12.7 0.500	31.0 1.220	M8x1.25	0.6 1.4
		SUCATBYM204/F	SUC204/F												
25	7/8	SUCATBYM205-14/F	SUC205-14/F	11.9 2675	6.3 1416	36.5 1.438	76.2 3.000	28.6 1.125	50.8 2.000	71.5 2.813	15.9 0.625	14.3 0.563	34.1 1.343	M10x1.5	0.8 1.7
	15/16	SUCATBYM205-15/F	SUC205-15/F												
	1	SUCATBYM205-16/F	SUC205-16/F												
		SUCATBYM205/F	SUC205/F												
30	1 1/8	SUCATBYM206-18/F	SUC206-18/F	16.5 3709	9.1 2035	42.9 1.688	101.6 4.000	37.3 1.470	76.2 3.000	82.6 3.250	19.1 0.750	15.9 0.626	38.1 1.500	M10x1.5	1.4 3.0
		SUCATBYM206/F	SUC206/F												
	1 3/8	SUCATBYM206-19/F	SUC206-19/F												
35	1 1/4	SUCATBYM206-20/F	SUC206-20/F	21.8 4901	12.3 2765	47.6 1.875	108.0 4.250	37.3 1.470	82.6 3.250	93.7 3.688	19.1 0.750	17.5 0.689	42.9 1.689	M10x1.5	1.8 3.9
	1 1/4	SUCATBYM207-20/F	SUC207-20/F												
	1 5/8	SUCATBYM207-21/F	SUC207-21/F												
	1 3/4	SUCATBYM207-22/F	SUC207-22/F												
		SUCATBYM207/F	SUC207/F												
	1 7/8	SUCATBYM207-23/F	SUC207-23/F												

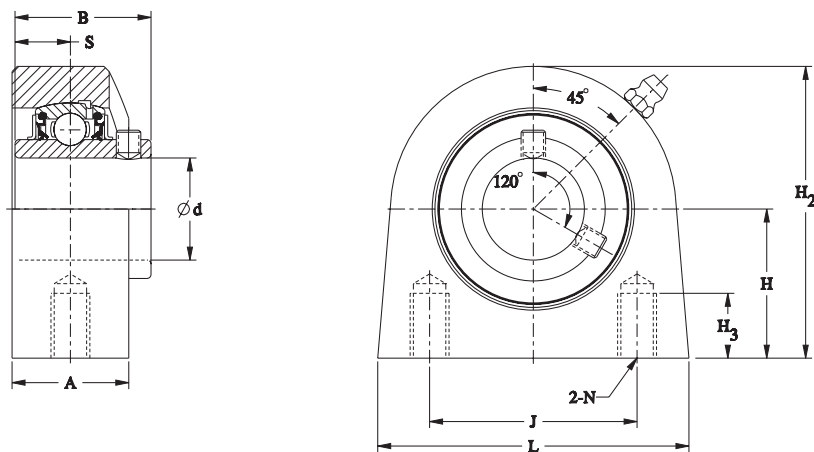


# HYGIENIC STAINLESS STEEL HOUSING WITH STAINLESS STEEL BALL BEARING INSERTS

## HYGIENIC STAINLESS STEEL TAPPED-BASE Y-SERIES (METRIC THREAD) MOUNTED BEARINGS



These units can be ordered with IP69K rated seal. No lubrication hole and no grease fitting with IP69K.

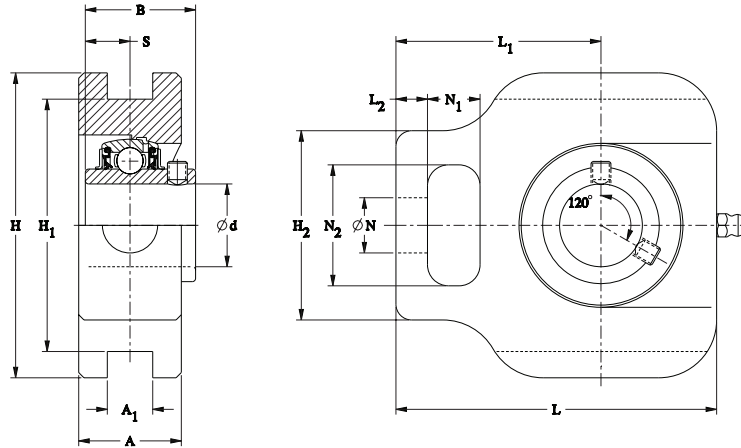


Shaft Dia. d		Tapped Base Designation	Bearing Designation	Basic Load Ratings		Dimensions								Bolt Size N	Wt.
				Dynamic	Static	H	L	A	J	H <sub>2</sub>	H <sub>3</sub>	S	B		
				C <sub>r</sub>	C <sub>0r</sub>	mm	mm	mm	mm	mm	mm	mm	mm		
mm	in			kN lbf	kN lbf	mm in.	mm in.	mm in.	mm in.	mm in.	mm in.	mm in.	mm in.	mm	kg lbs
	1 1/2	SUCATBYM208-24/F	SUC208-24/F	24.8 5575	14.3 3215	49.2 1.938	117.5 4.625	41.3 1.625	88.9 3.500	100.0 3.938	19.1 0.750	19.0 0.748	49.2 1.937	M12x1.75	2.1 4.7
	1 5/8	SUCATBYM208-25/F	SUC208-25/F												
<b>40</b>		<b>SUCATBYM208/F</b>	<b>SUC208/F</b>												
	1 3/8	SUCATBYM209-26/F	SUC209-26/F	27.8 6250	16.2 3642	54.0 2.125	127.0 5.000	43.7 1.720	95.3 3.750	108.0 4.250	19.1 0.750	19.0 0.748	49.2 1.937	M12x1.75	2.6 5.7
	1 1/2	SUCATBYM209-27/F	SUC209-27/F												
	1 3/4	SUCATBYM209-28/F	SUC209-28/F												
<b>45</b>		<b>SUCATBYM209/F</b>	<b>SUC209/F</b>												
	1 7/8	SUCATBYM210-30/F	SUC210-30/F	29.8 6699	18.6 4181	57.2 2.250	139.7 5.500	50.0 1.970	101.6 4.000	114.3 4.500	22.2 0.875	19.0 0.748	51.6 2.031	M16x2.0	3.4 7.4
	1 5/8	SUCATBYM210-31/F	SUC210-31/F												
<b>50</b>		<b>SUCATBYM210/F</b>	<b>SUC210/F</b>												
	2	SUCATBYM210-32/F	SUC210-32/F												



### HYGIENIC STAINLESS STEEL TAKE-UP MOUNTED BEARINGS

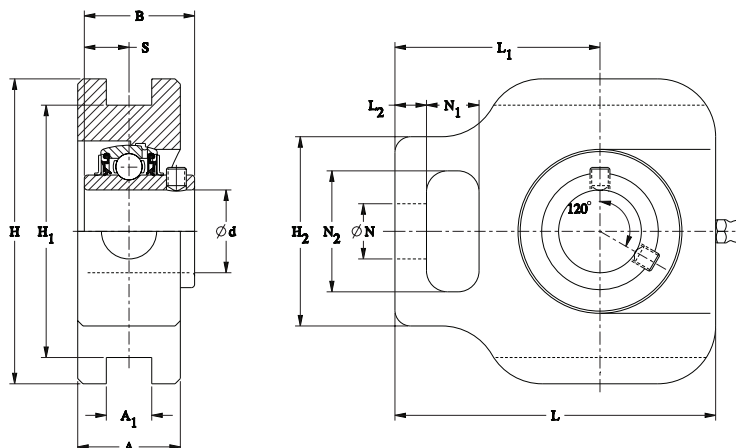
These units can be ordered with IP69K rated seal. No lubrication hole and no grease fitting with IP69K.



Shaft Dia. d		Take-up Unit Designation	Bearing Designation	Basic Load Ratings		Dimensions												Wt. kg lbs	
				Dynamic	Static	H	H <sub>1</sub>	H <sub>2</sub>	L	L <sub>1</sub>	L <sub>2</sub>	A	A <sub>1</sub>	S	B	N	N <sub>1</sub>		N <sub>2</sub>
				C <sub>r</sub>	C <sub>0r</sub>	mm in.	mm in.	mm in.	mm in.	mm in.	mm in.	mm in.	mm in.	mm in.	mm in.	mm in.	mm in.		mm in.
20	3/4	SUCAT204-12/F	SUC204-12/F	10.9 2450	5.4 1203	92.2 3.620	76.2 3.000	57.2 2.250	93.7 3.688	60.3 2.375	9.7 0.380	31.0 1.220	13.7 0.540	12.7 0.500	31.0 1.220	16.7 0.656	15.7 0.620	36.6 1.438	1.5 3.2
		SUCAT204/F	SUC204/F																
25	7/8	SUCAT205-14/F	SUC205-14/F	11.9 2675	6.3 1416	92.2 3.620	76.2 3.000	57.2 2.250	96.8 3.813	61.9 2.438	9.7 0.380	31.0 1.220	13.7 0.540	14.3 0.563	34.1 1.343	16.7 0.656	15.7 0.620	36.6 1.438	1.4 3.1
	1 1/16	SUCAT205-15/F	SUC205-15/F																
	1 1/8	SUCAT205-16/F	SUC205-16/F																
		SUCAT205/F	SUC205/F																
30	1 1/8	SUCAT206-18/F	SUC206-18/F	16.5 3709	9.1 2035	104.9 4.125	88.9 3.500	66.9 2.636	111.3 4.375	69.9 2.750	9.7 0.380	37.3 1.470	13.7 0.540	15.9 0.626	38.1 1.500	19.8 0.781	19.8 0.780	41.4 1.625	2.2 4.8
		SUCAT206/F	SUC206/F																
	1 3/16	SUCAT206-19/F	SUC206-19/F																
	1 1/4	SUCAT206-20/F	SUC206-20/F																
35	1 1/4	SUCAT207-20/F	SUC207-20/F	21.8 4901	12.3 2765	104.9 4.125	88.9 3.500	66.9 2.636	122.2 4.813	76.2 3.000	9.7 0.380	37.3 1.470	13.7 0.540	17.5 0.689	42.9 1.689	19.8 0.781	19.8 0.780	41.4 1.630	2.4 5.3
	1 3/8	SUCAT207-21/F	SUC207-21/F																
	1 1/2	SUCAT207-22/F	SUC207-22/F																
		SUCAT207/F	SUC207/F																
	1 7/8	SUCAT207-23/F	SUC207-23/F																



These units can be ordered with IP69K rated seal. No lubrication hole and no grease fitting with IP69K.



Shaft Dia. d		Take-up Unit Designation	Bearing Designation	Basic Load Ratings		Dimensions												Wt.		
				Dynamic	Static	H	H <sub>1</sub>	H <sub>2</sub>	L	L <sub>1</sub>	L <sub>2</sub>	A	A <sub>1</sub>	S	B	N	N <sub>1</sub>		N <sub>2</sub>	
				C <sub>r</sub>	C <sub>0r</sub>	mm	mm	mm	mm	mm	mm	mm	mm	mm	mm	mm	mm		mm	mm
mm	in			kN	kN	mm	mm	mm	mm	mm	mm	mm	mm	mm	mm	mm	mm	mm	kg	lbs
	1 1/2	SUCAT208-24/F	SUC208-24/F	24.8 5575	14.3 3215	114.3 4.500	101.6 4.000	81.0 3.188	139.7 5.500	87.3 3.438	14.2 0.563	47.8 1.880	17.8 0.696	19.0 0.748	49.2 1.937	26.2 1.031	23.9 0.937	49.3 1.938	3.5 7.8	
	1 5/8	SUCAT208-25/F	SUC208-25/F																	
<b>40</b>		<b>SUCAT208/F</b>	<b>SUC208/F</b>																	
	1 5/8	SUCAT209-26/F	SUC209-26/F	27.8 6250	16.2 3642	117.6 4.625	101.6 4.000	81.0 3.188	144.5 5.688	88.9 3.500	14.2 0.560	47.8 1.880	17.8 0.696	19.0 0.748	49.2 1.937	27.0 1.063	23.9 0.940	49.3 1.938	3.7 8.1	
	1 7/8	SUCAT209-27/F	SUC209-27/F																	
	1 3/4	SUCAT209-28/F	SUC209-28/F																	
<b>45</b>		<b>SUCAT209/F</b>	<b>SUC209/F</b>																	
	1 7/8	SUCAT210-30/F	SUC210-30/F	29.8 6699	18.6 4181	120.7 4.750	101.6 4.000	81.0 3.188	147.6 5.813	90.5 3.563	14.2 0.560	47.8 1.880	17.8 0.696	19.0 0.748	51.6 2.031	27.0 1.063	23.9 0.940	49.3 1.938	3.9 8.6	
	1 5/8	SUCAT210-31/F	SUC210-31/F																	
<b>50</b>		<b>SUCAT210/F</b>	<b>SUC210/F</b>																	
	2	SUCAT210-32/F	SUC210-32/F																	





***STAINLESS STEEL  
SET SCREW LOCKING  
BALL BEARING INSERTS***

The following topics are covered within this section:

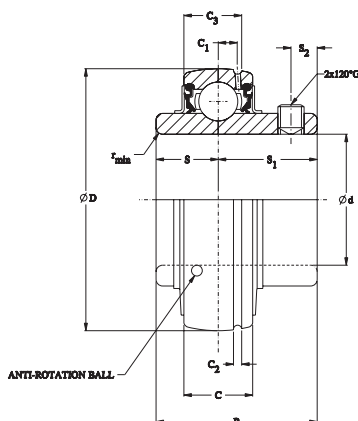
Stainless Steel Set Screw Locking Ball Bearing Inserts ..... 100

### STAINLESS STEEL SET SCREW LOCKING BALL BEARING INSERTS



- The set screw mounting feature is ideal for reversing load applications.
- All bearing components are made of stainless steel (races, balls, cage, flingers), providing superior corrosion resistance and full metal detectability.
- Bearings are pre-lubricated with NSF H1 grease and ready for immediate installation.
- An external stainless steel flinger provides the first level of protection against contamination.
- The three element sealing offers additional levels of protection with the flinger contact interface and land riding seals, in addition to the inward facing seal lip to keep grease in.
- These units can be ordered with IP69K rated seal. No lubrication hole and no grease fitting with IP69K.

Shaft Dia. d		Bearing Designation Standard Seal	Bearing Designation IP69K Seal	Basic Load Ratings		Dimensions									Min. Fillet Radius r <sub>min</sub>	Set Screw Size	Wt.	
				Dynamic	Static	D	C	B	C <sub>1</sub>	C <sub>2</sub>	C <sub>3</sub>	S	S <sub>1</sub>	S <sub>2</sub>				
				C <sub>r</sub>	C <sub>0r</sub>													
mm	in			kN lbf	kN lbf	mm in.	mm in.	mm in.	mm in.	mm in.	mm in.	mm in.	mm in.	mm in.	mm in.	mm in.	kg lbs	
20	¾	SUC204-12/F	SUC204-12-IP69K/F	10.9 2450	5.4 1203	47.0 1.850	16.0 0.630	31.0 1.220	4.0 0.157	2.0 0.079	13.0 0.510	12.7 0.500	18.3 0.720	5.0 0.197	1.0 0.039	M6 x 0.75	0.16	
		SUC204/F	SUC204-IP69K/F														0.4	
25	7/8	SUC205-14/F	SUC205-14-IP69K/F	11.9 2675	6.3 1416	52.0 2.047	17.0 0.669	34.1 1.343	4.7 0.185	2.0 0.079	14.3 0.561	14.3 0.563	19.8 0.780	5.5 0.217	1.0 0.039	M6 x 0.75	0.23	
		SUC205-15/F	SUC205-15-IP69K/F														0.5	
		SUC205-16/F	SUC205-16-IP69K/F														0.21	
		SUC205/F	SUC205-IP69K/F														0.5	
30	1	SUC205-16/F	SUC205-16-IP69K/F	16.5 3709	9.1 2035	62.0 2.441	19.0 0.748	38.1 1.500	5.0 0.197	2.1 0.083	15.5 0.608	15.9 0.626	22.2 0.874	6.0 0.236	1.0 0.039	M6 x 0.75	0.20	
		SUC206-18/F	SUC206-18-IP69K/F														0.4	
		SUC206-19/F	SUC206-19-IP69K/F														0.20	
		SUC206/F	SUC206-IP69K/F														0.4	
35	1 1/8	SUC206-19/F	SUC206-19-IP69K/F	21.8 4901	12.3 2765	72.0 2.835	20.0 0.787	42.9 1.689	5.5 0.217	2.5 0.098	16.7 0.657	17.5 0.689	25.4 1.000	6.5 0.256	1.1 0.043	M8 x 1.0	0.34	
		SUC206-20/F	SUC206-20-IP69K/F														0.7	
		SUC207-20/F	SUC207-20-IP69K/F														0.32	
		SUC207-21/F	SUC207-21-IP69K/F														0.7	
		SUC207-22/F	SUC207-22-IP69K/F														0.30	
		SUC207/F	SUC207-IP69K/F														0.7	
	1 1/4	SUC207-23/F	SUC207-23-IP69K/F														0.54	
	1 3/8	SUC207-22/F	SUC207-22-IP69K/F															1.2
	1 1/2	SUC207-21/F	SUC207-21-IP69K/F															0.51
	1 5/8	SUC207-22/F	SUC207-22-IP69K/F															1.1
	1 3/4	SUC207-23/F	SUC207-23-IP69K/F															0.48
	1 7/8	SUC207-22/F	SUC207-22-IP69K/F															1.1
	2	SUC207-23/F	SUC207-23-IP69K/F															0.48
	2 1/8	SUC207-23/F	SUC207-23-IP69K/F															1.1
	2 1/4	SUC207-23/F	SUC207-23-IP69K/F															0.45
	2 3/8	SUC207-23/F	SUC207-23-IP69K/F															1.0



Shaft Dia. d		Bearing Designation Standard Seal	Bearing Designation IP69K Seal	Basic Load Ratings		Dimensions									Min. Fillet Radius $r_{min}$	Set Screw Size	Wt.
				Dynamic	Static	D	C	B	$C_1$	$C_2$	$C_3$	S	$S_1$	$S_2$			
				$C_r$	$C_{0r}$	mm in.	mm in.	mm in.	mm in.	mm in.	mm in.	mm in.	mm in.	mm in.			
<b>mm</b>	<b>in</b>			<b>kN</b>	<b>kN</b>	<b>mm</b>	<b>mm</b>	<b>mm</b>	<b>mm</b>	<b>mm</b>	<b>mm</b>	<b>mm</b>	<b>mm</b>	<b>mm</b>	<b>mm</b>	<b>mm</b>	<b>kg</b>
	1 1/2	SUC208-24/F	SUC208-24-IP69K/F	24.8 5575	14.3 3215	80.0 3.150	21.0 0.827	49.2 1.937	6.0 0.236	2.5 0.098	17.7 0.697	19.0 0.748	30.2 1.189	8.0 0.315	1.1 0.043	M8 x 1.0	0.68
	1 5/8	SUC208-25/F	SUC208-25-IP69K/F														1.5
<b>40</b>		<b>SUC208/F</b>	<b>SUC208-IP69K/F</b>														0.60
	1 3/8	SUC209-26/F	SUC209-26-IP69K/F	27.8 6250	16.2 3642	85.0 3.346	22.0 0.866	49.2 1.937	6.0 0.236	2.5 0.098	18.2 0.717	19.0 0.748	30.2 1.189	8.0 0.315	1.1 0.043	M8 x 1.0	1.3
	1 1/2	SUC209-27/F	SUC209-27-IP69K/F														0.64
<b>45</b>		<b>SUC209/F</b>	<b>SUC209-IP69K/F</b>														1.3
	1 1/4	SUC209-28/F	SUC209-28-IP69K/F	29.8 6699	18.6 4181	90.0 3.543	24.0 0.945	51.6 2.031	6.0 0.236	3.0 0.118	19.5 0.766	19.0 0.748	32.6 1.283	9.0 0.354	1.1 0.043	M8 x 1.0	1.5
	1 3/8	SUC210-30/F	SUC210-30-IP69K/F														0.68
<b>50</b>		<b>SUC210/F</b>	<b>SUC210-IP69K/F</b>														1.5
	1 5/8	SUC210-31/F	SUC210-31-IP69K/F	29.8 6699	18.6 4181	90.0 3.543	24.0 0.945	51.6 2.031	6.0 0.236	3.0 0.118	19.5 0.766	19.0 0.748	32.6 1.283	9.0 0.354	1.1 0.043	M8 x 1.0	1.7
	1 3/4	SUC210-32/F	SUC210-32-IP69K/F														0.87
<b>50</b>		<b>SUC210/F</b>	<b>SUC210-IP69K/F</b>														1.8
	2	SUC210-32/F	SUC210-32-IP69K/F	29.8 6699	18.6 4181	90.0 3.543	24.0 0.945	51.6 2.031	6.0 0.236	3.0 0.118	19.5 0.766	19.0 0.748	32.6 1.283	9.0 0.354	1.1 0.043	M8 x 1.0	1.8
	1 3/4	SUC210-32/F	SUC210-32-IP69K/F														0.80
<b>50</b>		<b>SUC210/F</b>	<b>SUC210-IP69K/F</b>														1.8
	2	SUC210-32/F	SUC210-32-IP69K/F	29.8 6699	18.6 4181	90.0 3.543	24.0 0.945	51.6 2.031	6.0 0.236	3.0 0.118	19.5 0.766	19.0 0.748	32.6 1.283	9.0 0.354	1.1 0.043	M8 x 1.0	1.8
	1 3/4	SUC210-32/F	SUC210-32-IP69K/F														0.78
<b>50</b>		<b>SUC210/F</b>	<b>SUC210-IP69K/F</b>														1.7







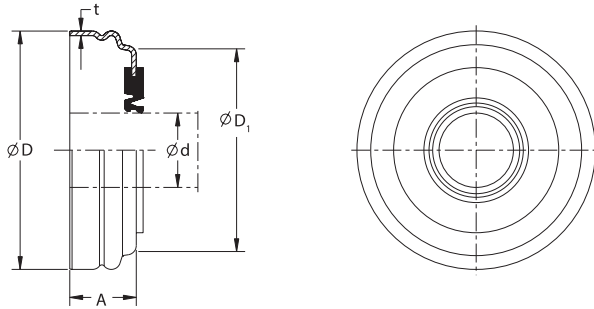
***CORROSION-RESISTANT  
MOUNTED BEARING  
END COVERS***

The following topics are covered within this section:

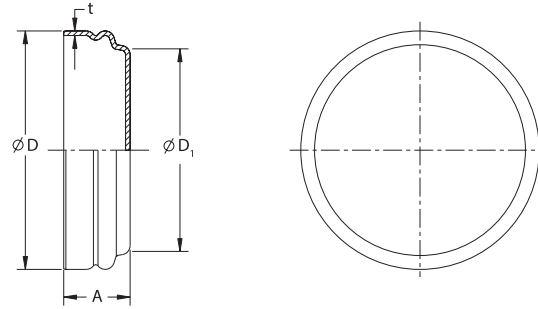
Stainless Steel End Covers. ....	104
Polymer End Covers. ....	105
End Cover Dimensions . . . . .	106

**STAINLESS STEEL END COVERS**

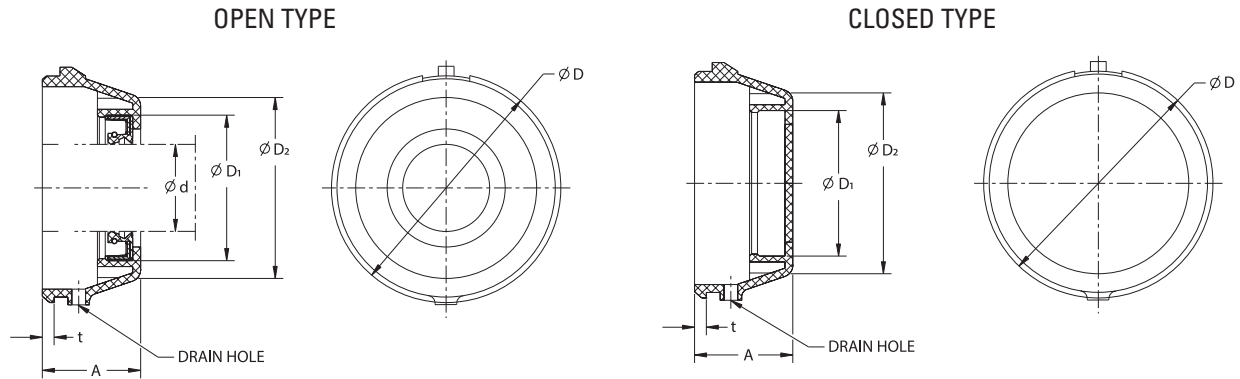
OPEN TYPE



CLOSED TYPE



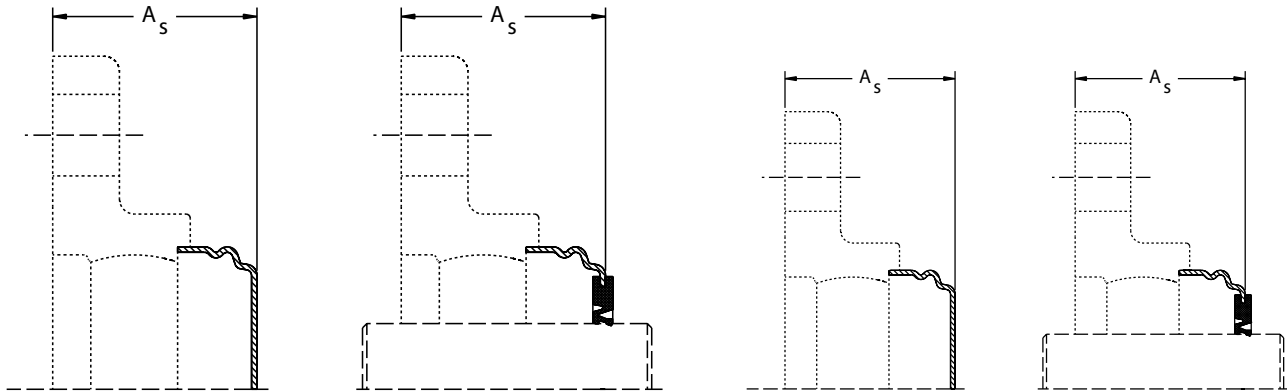
Shaft Dia. d		Part Number		Dimensions			
		Open	Closed	D	D <sub>1</sub>	A	t
in.	mm			mm in.	mm in.	mm in.	mm in.
3/4		E0S-U204-12	ECS-U204	<b>52</b>	<b>45</b>	<b>14.5</b>	<b>1</b>
	<b>20</b>	<b>E0S-U204</b>		2 3/64	1 49/64	37/64	0.039
1	<b>25</b>	<b>E0S-U205</b>	ECS-U205	<b>58</b>	<b>51</b>	<b>15.5</b>	<b>1</b>
		E0S-U205-16		2 7/32	2 1/64	39/64	0.039
1 1/16	<b>30</b>	<b>E0S-U206</b>	ECS-U206	<b>68</b>	<b>61</b>	<b>16.5</b>	<b>1</b>
		E0S-U206-19		2 49/64	2 13/32	2 1/32	0.039
1 1/4		E0S-U206-20	ECS-U207	<b>78</b>	<b>70</b>	<b>18.5</b>	<b>1</b>
	<b>35</b>	<b>E0S-U207</b>					
1 7/16		E0S-U207-23	ECS-U208	<b>86</b>	<b>78</b>	<b>22.5</b>	<b>1</b>
	<b>40</b>	<b>E0S-U208</b>					
1 11/16		E0S-U209-27	ECS-U209	<b>92</b>	<b>84</b>	<b>22</b>	<b>1</b>
	<b>45</b>	<b>E0S-U209</b>					
1 15/16		E0S-U210-31	ECS-U210	<b>96</b>	<b>88</b>	<b>24</b>	<b>1</b>
	<b>50</b>	<b>E0S-U210</b>					
2		E0S-U210-32					

**POLYMER END COVERS**

Shaft Dia. d		Part Number		Dimensions				
		Open	Closed	D	D <sub>1</sub>	D <sub>2</sub>	A	t
in.	mm			mm in.	mm in.	mm in.	mm in.	mm in.
3/4		EOP-U204-12	ECP-U204	<b>52.35</b>	<b>32</b>	<b>41</b>	<b>23</b>	<b>3</b>
	<b>20</b>	<b>EOP-U204</b>		2 1/16	1 1/64	1 39/64	29/32	0.118
1		EOP-U205-16	ECP-U205	<b>58.35</b>	<b>37</b>	<b>46</b>	<b>25</b>	<b>3</b>
	<b>25</b>	<b>EOP-U205</b>		2 19/64	1 29/64	1 13/16	63/64	0.118
1 1/16		EOP-U206-19	ECP-U206	<b>68.35</b>	<b>42</b>	<b>52</b>	<b>30</b>	<b>3</b>
	<b>30</b>	<b>EOP-U206</b>		2 11/16	1 21/32	2 3/64	1 3/16	0.118
1 1/4		EOP-U206-20	ECP-U207	<b>78.35</b>	<b>47</b>	<b>62</b>	<b>32</b>	<b>3</b>
	<b>35</b>	<b>EOP-U207</b>		3 3/64	1 27/32	2 7/16	1 17/64	0.118
1 7/16		EOP-U207-23	ECP-U208	<b>86.35</b>	<b>52</b>	<b>70</b>	<b>37</b>	<b>3</b>
	<b>40</b>	<b>EOP-U208</b>		3 13/32	2 3/64	2 3/4	1 29/64	0.118
1 1/2		EOP-U208-24	ECP-U209	<b>92.35</b>	<b>58</b>	<b>73</b>	<b>41</b>	<b>3</b>
	<b>45</b>	<b>EOP-U209</b>		3 41/64	2 9/32	2 7/8	1 39/64	0.118
1 5/8		EOP-U210-31	ECP-U210	<b>96.35</b>	<b>62</b>	<b>79</b>	<b>47</b>	<b>3</b>
	<b>50</b>	<b>EOP-U210</b>		3 51/64	2 7/16	3 3/64	1 27/32	0.118
2		EOP-U210-32						

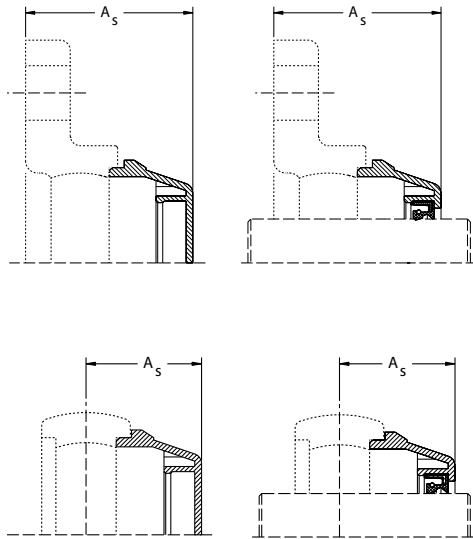
**END COVER DIMENSIONS**

## STAINLESS STEEL END COVERS IN STAINLESS STEEL HOUSINGS



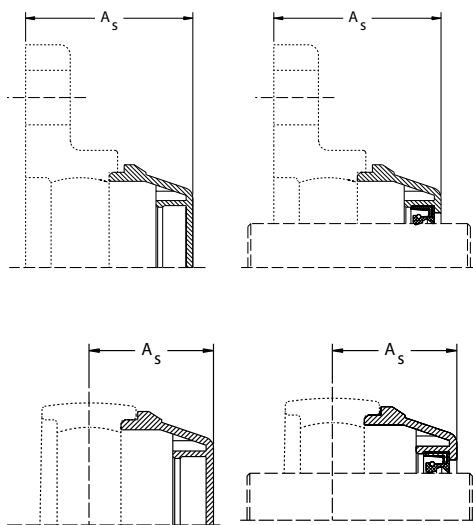
Basic Size	Dimension $A_s$				
	Stainless Steel End Covers in Stainless Steel Housings				
	Pillow Block	Tapped Base	Two-Bolt	Four-Bolt	Take-Up
	<b>mm</b> in.	<b>mm</b> in.	<b>mm</b> in.	<b>mm</b> in.	<b>mm</b> in.
204	<b>22.5</b> 0.886	<b>22.5</b> 0.886	<b>37</b> 1.457	<b>37</b> 1.457	<b>22.5</b> 0.886
205	<b>24.5</b> 0.965	<b>24.5</b> 0.965	<b>39.5</b> 1.555	<b>39.5</b> 1.555	<b>24.5</b> 0.965
206	<b>26.5</b> 1.043	<b>26.5</b> 1.043	<b>44</b> 1.732	<b>44</b> 1.732	<b>26.5</b> 1.043
207	<b>30</b> 1.181	<b>30</b> 1.181	<b>49</b> 1.929	<b>49</b> 1.929	<b>30</b> 1.181
208	<b>34.5</b> 1.358	<b>34.5</b> 1.358	<b>55</b> 2.165	<b>55</b> 2.165	<b>34.5</b> 1.358
209	<b>34.5</b> 1.358	<b>34.5</b> 1.358	<b>56</b> 2.205	<b>56</b> 2.205	<b>34.5</b> 1.358
210	<b>36.5</b> 1.437	<b>36.5</b> 1.437	<b>58.5</b> 2.303	<b>58.5</b> 2.303	<b>36.5</b> 1.437

POLYMER END COVERS IN POLYMER HOUSINGS



Basic Size	Dimension A <sub>s</sub>				
	Polymer End Covers in Polymer Housings				
	Pillow Block	Two-Bolt	Three-Bolt	Four-Bolt	Tapped Base
	mm in.	mm in.	mm in.	mm in.	mm in.
204	31.5 1.240	46.5 1.831	45.6 1.795	48 1.890	31.5 1.240
205	34 1.339	49.7 1.957	55.5 2.185	50.7 1.996	34 1.339
206	39.5 1.555	57.5 2.264	58.8 2.315	58.7 2.311	39.5 1.555
207	42.5 1.673	61.2 2.409	64.2 2.528	63.7 2.508	42.5 1.673
208	48 1.890	68.7 2.705	-	70.7 2.783	48 1.890
209	52.5 2.067	74.5 2.933	-	76.5 3.012	52.5 2.067
210	59.5 2.343	81.5 3.209	-	84.5 3.209	59.5 2.343

POLYMER END COVERS IN STAINLES STEEL HOUSINGS



Basic Size	Dimension A <sub>s</sub>				
	Polymer End Covers in Stainless Steel Housings				
	Pillow Block	Two-Bolt	Four-Bolt	Take-Up	Tapped Base
	mm in.	mm in.	mm in.	mm in.	mm in.
204	31 1.220	45.5 1.791	45.5 1.791	31 1.220	31 1.220
205	34 1.339	49 1.929	49 1.929	34 1.339	34 1.339
206	40 1.575	57.5 2.264	57.5 2.264	40 1.575	40 1.575
207	43.5 1.713	62.5 2.461	62.5 2.461	43.5 1.713	43.5 1.713
208	49 1.929	69.5 2.736	69.5 2.736	49 1.929	49 1.929
209	53.5 2.106	75 2.953	75 2.953	53.5 2.106	53.5 2.106
210	60 2.362	82 3.228	82 3.228	60 2.362	60 2.362

## CORROSION-RESISTANT PRODUCT OFFERING

Timken offers a broad range of standard corrosion-resistant Mounted Ball Bearing Stainless Steel Insert Units.

- Mounted Ball Bearing Stainless Steel Inserts available in 204-210 series (20 mm - 50 mm and ¾ in. - 2 in.).
- Housings available in cast stainless steel, white polymer (thermoplastic) as well as in hygienic blue polymer (thermoset) and hygienic stainless steel, in all mounting styles.

**TABLE 10.**  
**CURRENT CORROSION-RESISTANT PRODUCT OFFERING**

Housing Style	Insert Series						
	204	205	206	207	208	209	210
Pillow block (P)	S, PL, B, A	S, PL, B, A	S, PL, B, A	S, PL, B, A	S, PL, B, A	S, PL, B, A	S, PL, B, A
Two-Bolt flange (FL)	S, PL, B, A	S, PL, B, A	S, PL, B, A	S, PL, B, A	S, PL, B, A	S, PL, B, A	S, PL, B, A
Three-Bolt flange (FB)	S, PL, B, A	S, PL, B, A	S, PL, B, A	S, PL, B, A	S, B, A	B, A	B, A
Four-Bolt flange (F)	S, PL, B, A	S, PL, B, A	S, PL, B, A	S, PL, B, A	S, PL, B, A	S, PL, B, A	S, PL, B, A
Take-up, wide slot (T)	S, B, A	S, B, A	S, B, A	S, B, A	S, B, A	S, B, A	S, B, A
Tapped-base (TB)	S	S	S	S	S	S	S
Tapped-base, Y series design with imperial thread (TBY)	S, B, A	S, B, A	S, B, A	S, B, A	S, B, A	B, A	B, A
Tapped Base, Y series design with metric thread (TBYM)	S, B, A	S, B, A	S, B, A	S, B, A	S, B, A	B, A	B, A
Two-Bolt flange, small bolt pattern (FLS)	S	S	S	S	–	–	–
Piloted round flange (FC)	–	B, A	B, A	B, A	B, A	B, A	B, A

- S** Stainless steel  
**PL** White polymer (thermoplastic)  
**A** Hygienic stainless steel  
**B** Hygienic blue polymer (thermoset)

**Current offering shown in catalog product tables.**

**For product data, price and availability, contact your local sales representative.**

**DOWNLOAD 3D MODELS AND 2D DRAWINGS AT [CAD.TIMKEN.COM](http://CAD.TIMKEN.COM)**













To view more Timken catalogs, go to [www.timken.com/catalogs](http://www.timken.com/catalogs) for interactive versions, or to download a catalog app for your smart phone or mobile device scan the QR code or go to [timkencatalogs.com](http://timkencatalogs.com).

# TIMKEN

The Timken team applies their know-how to improve the reliability and performance of machinery in diverse markets worldwide. The company designs, makes and markets bearings, gear drives, automated lubrication systems, belts, brakes, clutches, chain, couplings, linear motion products and related power transmission rebuild and repair services.

Price: USD \$75

**Stronger. By Design.**

[www.timken.com](http://www.timken.com)